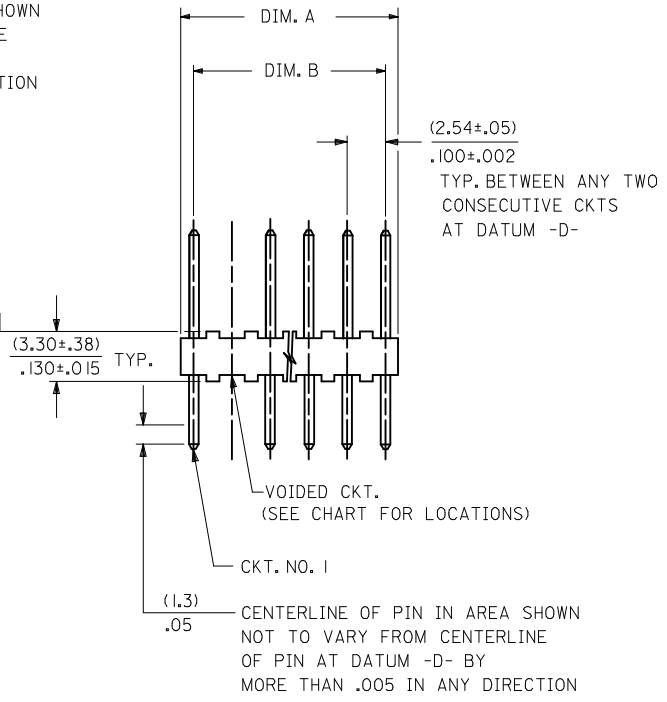
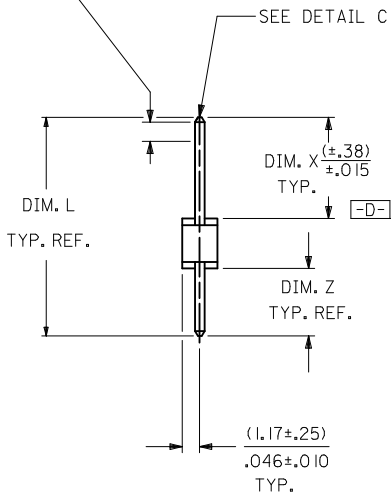
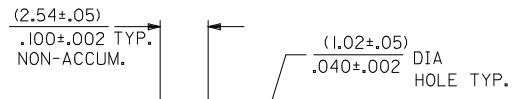


(1.3)
.05
CENTERLINE OF PIN IN AREA SHOWN NOT TO VARY FROM CENTERLINE OF PIN AT DATUM -D- BY MORE THAN .008 IN ANY DIRECTION



CKTS. NO. OF	DIM. B	DIM. A
2	(2.54 ± .05) .100 ± .002	(4.83 ± .20) .190 ± .008
3	(5.08 ± .13) .200 ± .005	(7.37 ± .20) .290 ± .008
4	(7.62 ± .13) .300 ± .005	(9.91 ± .20) .390 ± .008
5	(10.16 ± .13) .400 ± .005	(12.45 ± .20) .490 ± .008
6	(12.70 ± .15) .500 ± .006	(14.99 ± .23) .590 ± .009
7	(15.24 ± .15) .600 ± .006	(17.53 ± .23) .690 ± .009
8	(17.78 ± .15) .700 ± .006	(20.07 ± .23) .790 ± .009
9	(20.32 ± .18) .800 ± .007	(22.61 ± .25) .890 ± .010
10	(22.86 ± .18) .900 ± .007	(25.15 ± .25) .990 ± .010
11	(25.40 ± .18) 1.000 ± .007	(27.69 ± .25) 1.090 ± .010
12	(27.94 ± .20) 1.100 ± .008	(30.23 ± .28) 1.190 ± .011
13	(30.48 ± .20) 1.200 ± .008	(32.77 ± .28) 1.290 ± .011
14	(33.02 ± .20) 1.300 ± .008	(35.31 ± .28) 1.390 ± .011
15	(35.56 ± .20) 1.400 ± .008	(37.85 ± .28) 1.490 ± .011
16	(38.10 ± .20) 1.500 ± .008	(40.39 ± .28) 1.590 ± .011



RECOMMENDED P.C. BOARD HOLE DIMENSIONS

LEGEND

A-4380-N * * * * *
 NO. OF CKTS. VOID LOCATION
 NO VOID=SEE 4030 SERIES DWG.
 WITH VOIDS=NO. CORRESPONDS TO
 CKT. NO. VOIDED.
 MULT. VOIDS=START WITH 51 AND ARE
 ASSIGNED CONSECUTIVELY.

SECONDARY OPERATIONS	
CODE	PACKAGE
BLANK	BULK PER PK-4030-001

VERSION
LETTER CHANGES WHEN PIN NO. OR PRESS DIM. CHANGES.

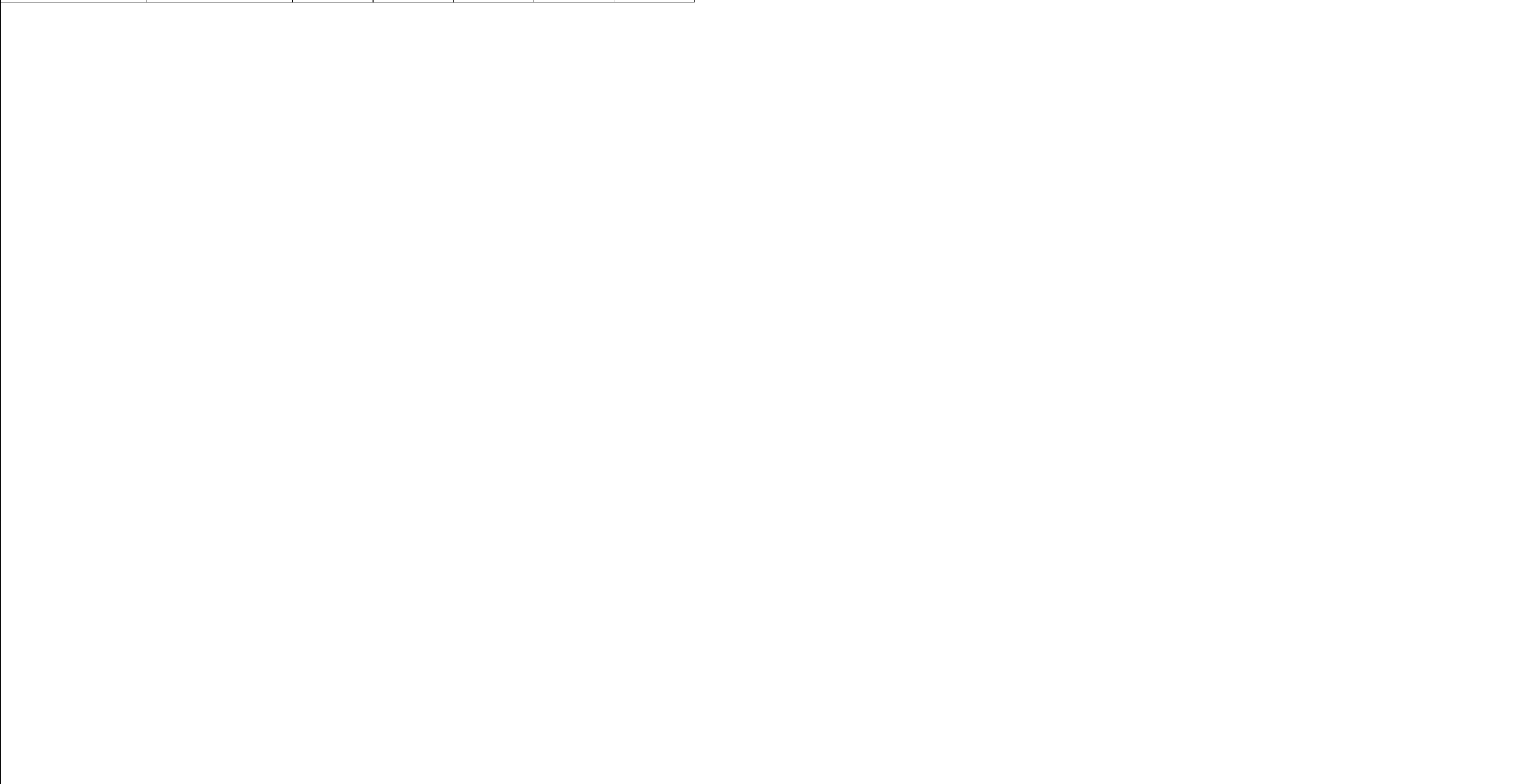
PLATING CODE
PER SDES-88.

- NOTES:
- MATERIAL: NYLON, UL 94V-0, COLOR: WHITE
 - FINISH:
 - (197) OVERALL REFLOWED MATTE TIN: 0.00152/.000060 MIN. OVER 0.00127/.000050 MIN. NICKEL OVERALL.
 - (241) SELECT GOLD: 0.00051/.000020 MIN. SELECT TIN: 0.00254/.000100 MIN. OVERALL NICKEL UNDERPLATE: 0.00127/.000050 MIN.
 - PARTS CONFORM TO PRODUCT SPECIFICATION PS-10-07.
 - PACKAGING: SEE LEGEND
 - PINS MUST CONFORM TO SOLDERABILITY SPEC. SMES-152.
 - PIN PUSH OUT FORCE: 2 LBS. MIN.
 - PARTS ARE STACKABLE END TO END AND SIDE TO SIDE ON (2.54)/.100 CENTERS.
 - THIS PART CONFORMS TO CLASS B REQUIREMENTS OF COSMETIC SPECIFICATION PS-45499-002.

REINSTATE 22112071 DEC NO: UCP2015-3608 DRWN:MKIPPER 2015/03/04 CHKD:ANGUYEN 2015/03/04 APPR:FSMLTH 2015/03/10	DESCRIPTION QUALITY SYMBOLS ▽=0 ▽=0 ▽=0	GENERAL TOLERANCES (UNLESS SPECIFIED)		DIMENSION STYLE MM/IN	SCALE ---	DESIGN UNITS INCH	THIRD ANGLE PROJECTION		
		4 PLACES ± --- ± --- 3 PLACES ± --- ± .010 2 PLACES ± 0.25 ± .014 1 PLACE ± 0.36 ± --- 0 PLACE ± ±	DRAWN BY SAMIEC	DATE 1984/09/07	TITLE KK HEADER (2.54)/.100 CENTERS 4030 WITH VOIDS		molex	DOCUMENT NO. SDA-4380	SHEET NO. 1 OF 3
		ANGULAR ±1/2° DRAFT WHERE APPLICABLE MUST REMAIN WITHIN DIMENSIONS	APPROVED BY KJA	DATE 1984/09/07	MATERIAL NO. SEE CHART				
		SIZE C	THIS DRAWING CONTAINS INFORMATION THAT IS PROPRIETARY TO MOLEX INCORPORATED AND SHOULD NOT BE USED WITHOUT WRITTEN PERMISSION						

13 12 11 10 9 8 7 6 5 4 3 2 1

ENG. NO.	PIN NO.	DIM. L	DIM. X	DIM. Z	DIM. G	DIM. T
A-4380-NA197-*	42663-0302	(14.22) .560	(7.49) .295	(3.43) .135	N/A	OVERALL
A-4380-NA241-*	42663-0305	(14.22) .560	(7.49) .295	(3.43) .135	(3.56) .140	(3.43) .135
A-4380-NC197-*	42663-0562	(17.53) .690	(11.13) .438	(3.10) .122	N/A	OVERALL



CHANGE PIN EC NO: UCP2012-1821 DRWN: MSTR0H 2012/01/23 CHKD: HKIPPER 2012/01/23 APPR: FSMITH 2012/02/02	DESCRIPTION ZA	QUALITY SYMBOLS	GENERAL TOLERANCES (UNLESS SPECIFIED)	DIMENSION STYLE	SCALE	DESIGN UNITS	THIRD ANGLE PROJECTION
		▽=0	mm INCH	MM/IN	---	INCH	KK HEADER (2.54)/.100 CENTERS 4030 WITH VOIDS
		▽=0	4 PLACES ± --- ± ---	DRAWN BY DATE	SAMIEC 1984/09/07 CHECKED BY DATE DS 1984/09/07		
		▽=0	3 PLACES ± --- ± ---	APPROVED BY DATE		KJA 1984/09/07 MATERIAL NO. SEE CHART	
	2 PLACES ± --- ± ---	DRAFT WHERE APPLICABLE MUST REMAIN WITHIN DIMENSIONS		MOLEX MOLEX INCORPORATED DOCUMENT NO. SDA-4380	SHEET NO. 2 OF 3		
	1 PLACE ± --- ± ---	ANGULAR ±1/2°		THIS DRAWING CONTAINS INFORMATION THAT IS PROPRIETARY TO MOLEX INCORPORATED AND SHOULD NOT BE USED WITHOUT WRITTEN PERMISSION			

12 11 10 9 8 7 6 5 4 3 2 1

13 12 11 10 9 8 7 6 5 4 3 2 1

A-4380-NA197-*

PART NO.	ENG. NO.	VOID CKT.
22-04-2038	A-4380-3A197-2	2
22-04-2041	A-4380-4A197-2	2
22-04-2161	A-4380-16A197-2	2

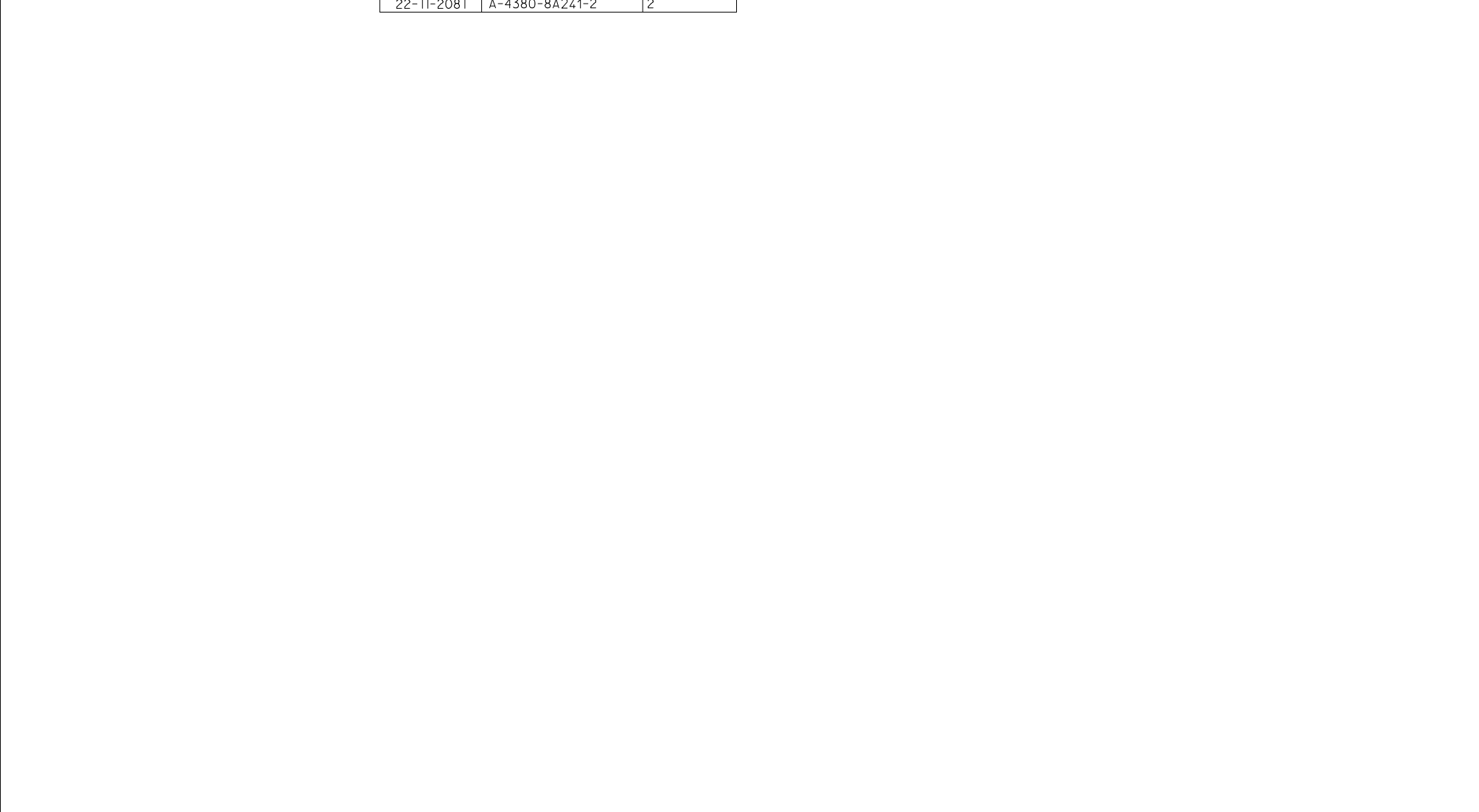
A-4380-NA241-*

PART NO.	ENG. NO.	VOID CKT.
22-11-2031	A-4380-3A241-1	1
22-11-2061	A-4380-6A241-2	2
22-11-2071	A-4380-7A241-2	2
22-11-2081	A-4380-8A241-2	2

A-4380-NC197-*

PART NO.	ENG. NO.	VOID CKT.
22-04-2063	A-4380-6C197-2	2
22-04-2073	A-4380-7C197-2	2

PART NO.	ENG. NO.	VOID CKT.



SEE SHEET 1 DEC NO: UCP2015-3608 DRAWN: KIPPER 2015/03/04 CHKD: NGUYEN 2015/03/04 APPR: FSMITH 2015/03/10	QUALITY SYMBOLS	GENERAL TOLERANCES (UNLESS SPECIFIED)	DIMENSION STYLE	SCALE	DESIGN UNITS	THIRD ANGLE PROJECTION
	▽=0	mm INCH	IN/MM	---	INCH	
	▽=0	4 PLACES ± --- ± ---	DRAWN BY DATE	TITLE	KK HEADER (2.54)/.100 CENTERS 4030 WITH VOIDS	
	▽=0	3 PLACES ± --- ± ---	KKS 1984/09/07			
▽=0	2 PLACES ± --- ± ---	CHECKED BY DATE				
	1 PLACE ± --- ± ---	DS 1984/09/07	APPROVED BY DATE			
	0 PLACE ± ±	ANGULAR ±1/2°	MATERIAL NO.	DOCUMENT NO.	SHEET NO.	
ZAB	REV	DRAFT WHERE APPLICABLE MUST REMAIN WITHIN DIMENSIONS	SEE CHART	SDA-4380	3 OF 3	
			SIZE	THIS DRAWING CONTAINS INFORMATION THAT IS PROPRIETARY TO MOLEX INCORPORATED AND SHOULD NOT BE USED WITHOUT WRITTEN PERMISSION		

12 11 10 9 8 7 6 5 4 3 2 1