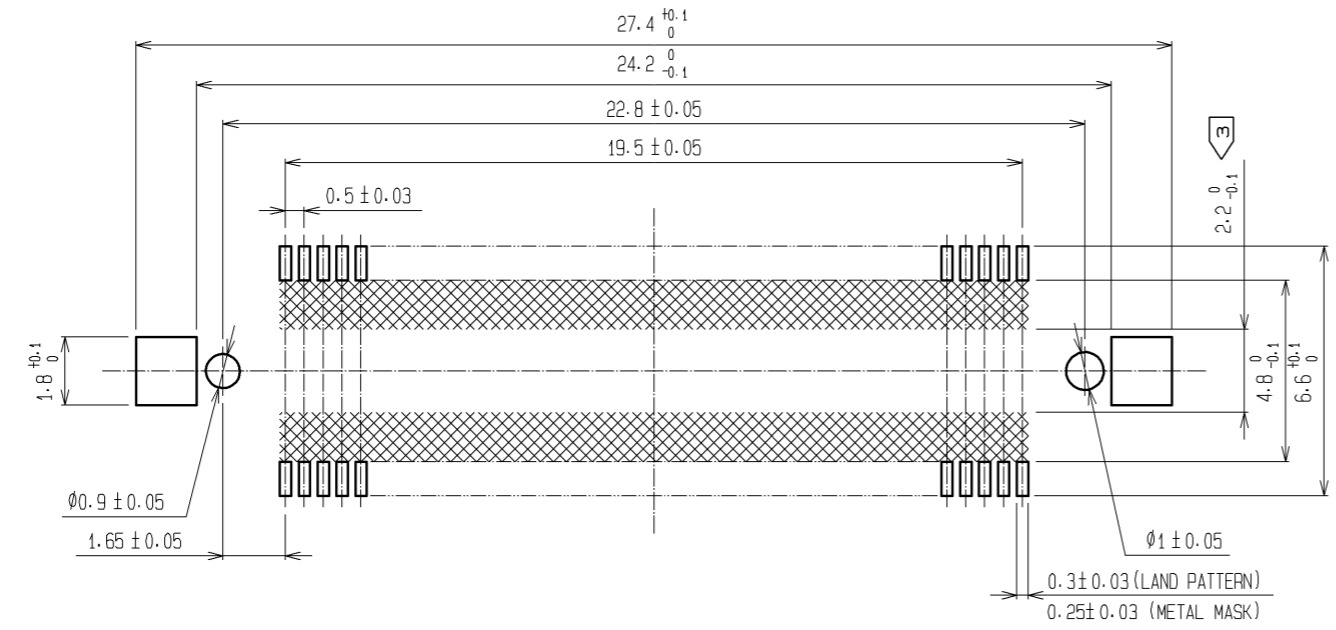


RECOMMENDED LAND PATTERN DIMENSION OF PCB
(RECOMMENDED METAL MASK THICKNESS: 0.15mm)

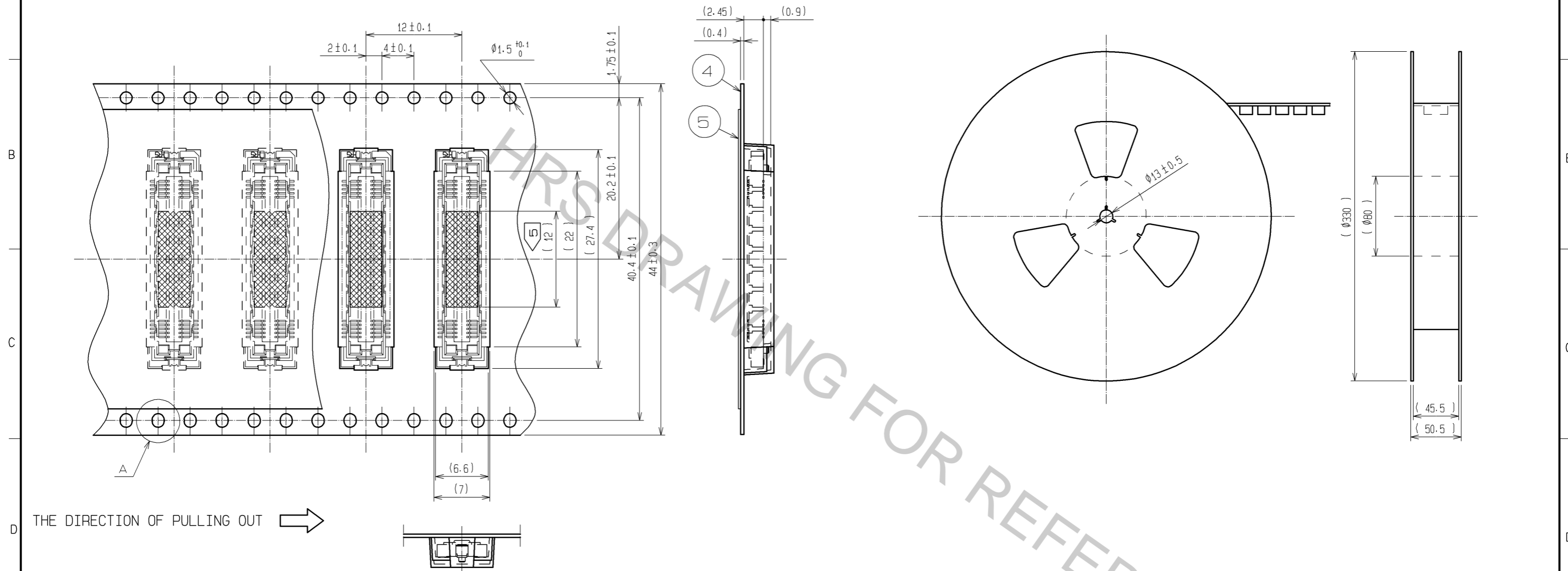


- NOTES
- 1 SMT LEAD-COPLANARITY: 0.1 MAX.
 - 2 THIS PRODUCT HAS NO POLARITY TO PATTERN FOR MOUNTING.
 - 3 MAKE SURE WIDTH OF PATTERN IS WITHIN THAT OF LAND .OR LEAD MAY TOUCH PATTERN. (THIS APPLIES TO HATCHED AREA.)
 - 4 TO BE EMBOSSED CARRIER TAPED AS SPECIFIED IN SHEET 2.
 - 5 THE DIMENSIONS IN PARENTHESES ARE FOR REFERENCE.

3	PHOSPHOR BRONZE	TIN PLATING			
2	PHOSPHOR BRONZE	CONTACT AREA : GOLD 0.1μm min. LEAD AREA : GOLD 0.05μm min. UNDER PLATING : NICKEL 1μm min.	6	POLYIMIDE	(TAPE FOR VACUUM PICKUP)
1	LCP	BEIGE UL94V-0	4	PET	TOP COVER TAPE
NO.	MATERIAL	FINISH . REMARKS	NO.	MATERIAL	FINISH . REMARKS
UNITS mm		SCALE 5 : 1	COUNT △	DESCRIPTION OF REVISIONS	DESIGNED
HRS HIROSE ELECTRIC CO., LTD.		APPROVED : HS. OKAWA 11.01.26	CHECKED : HT. YAMAGUCHI 11.01.26	DESIGNED : SY. KAMIGA 11.01.26	DRAWN : HK. SUNADORI 11.01.26
			DRAWING NO.	EDC3-152440-02	
			PART NO.	FX11A-80S-SV(22)	
			CODE NO.	CL573-0748-0-22	
			△ 1/2		

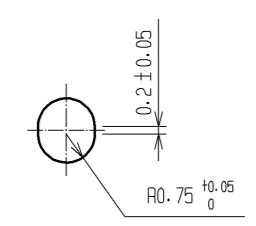
DRAWING FOR PACKING(2:1)

REELED DIMENSION(Free)

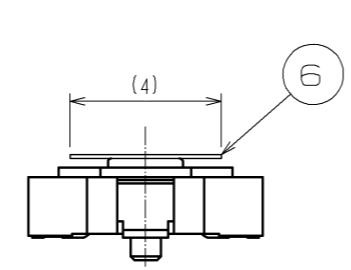


THE DIRECTION OF PULLING OUT →

A (5:1)



DETAIL FOR VACUUM PICKUP (5:1)



- NOTES
- 1 REEL : 1000 CONNECTORS.
 - 2 MINIMUM 10 COMPARTMENTS FROM BOTH REEL ENDS REMAIN EMPTY.
 - 3 THIS PRODUCT HAS NO POLARITY TO TAPE AND REEL PACKAGING.
 - 4 THE DIMENSIONS IN PARENTHESES ARE FOR REFERENCE.
 - 5 REMOVE THE VACUUM PICKUP TAPE AFTER MOUNTING THE CONNECTOR.

HRS	DRAWING NO.	EDC3-152440-02
	PART NO.	FX11A-80S-SV(22)
	CODE NO.	CL573-0748-0-22
		△ 2/2