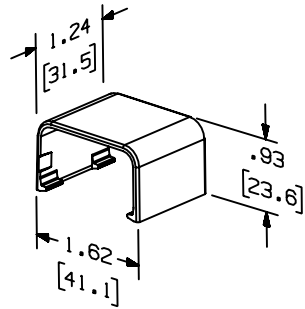


THIS COPY IS PROVIDED ON A RESTRICTED BASIS AND IS NOT TO BE USED IN ANY WAY DETRIMENTAL TO THE INTERESTS OF PANDUIT CORP.

△ A	PANDUIT PART NO.	WEIGHT
△ B	CFX10	1.8 LB/100 PCS (810 g/100 PCS)



NOTES:

- SEE CURRENT CATALOG FOR ADDITIONAL PART NUMBER SUFFIXES TO INDICATE COLOR AND OR PACKAGE QUANTITY.
- THIS PRODUCT IS INTENDED TO BE USED WITH PANDUIT TYPE LD10, LDP10 AND LDP210 RACEWAY.
- NOMINAL WALL THICKNESSES: .070 (1.8).
- DIMENSIONS IN PARENTHESIS ARE IN METRIC.

CAD FILENAME/LAYERS D35013CJ\_LD\_CFX10\_03.PRT

PANDUIT CORP. TINLEY PARK, ILLINOIS

COUPLER FITTING (CFX10)  
CUSTOMER DRAWING

3	03-11-04	JHEP	RGRO	D. REMOVED CD10 FROM NOTE 2	35013-10	RGRO	RGRO		
2	09-23-96	JBA	CEF	C. REV'D MATERIAL: WAS PVC B. REV'D P/N: WAS CFC10	35013-10	CEF	CEF		
1	04-23-96	JBA	CEF	A. REV'D P/N: WAS CFX10	35013-10	CEF			
R	02-15-95	DEW	CEF	RELEASED TO PRODUCTION	35013-10	CEF			
REV	DATE	BY	CHK	DESCRIPTION	ECN	CHK	CUST	SUP	

UNLESS OTHERWISE SPECIFIED,  
DIMENSIONAL TOLERANCES ARE:  
(.X) ± (.XXX) ±.015 (.4)  
(.XX) ±.03 (.8) ANGLES ±

UNLESS OTHERWISE SPECIFIED,  
ALL DIMENSIONS ARE GIVEN  
IN INCHES, THIRD ANGLE PROJECTION.

DRAWN BY  
DEW

MAT'L:

ABS/PC

SCALE  
NONE

DATE  
02-15-96

DRAWING NO.

35013-10

DWG

A  
SIZE

CHECKED BY  
CEF

