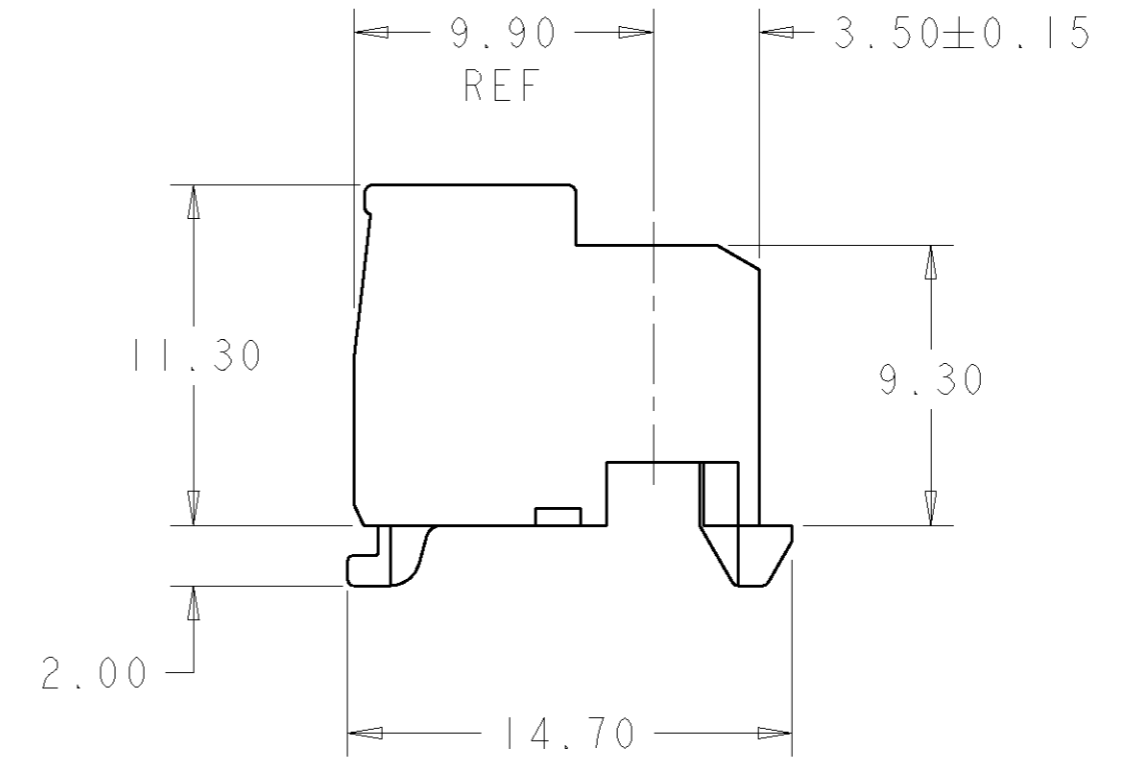
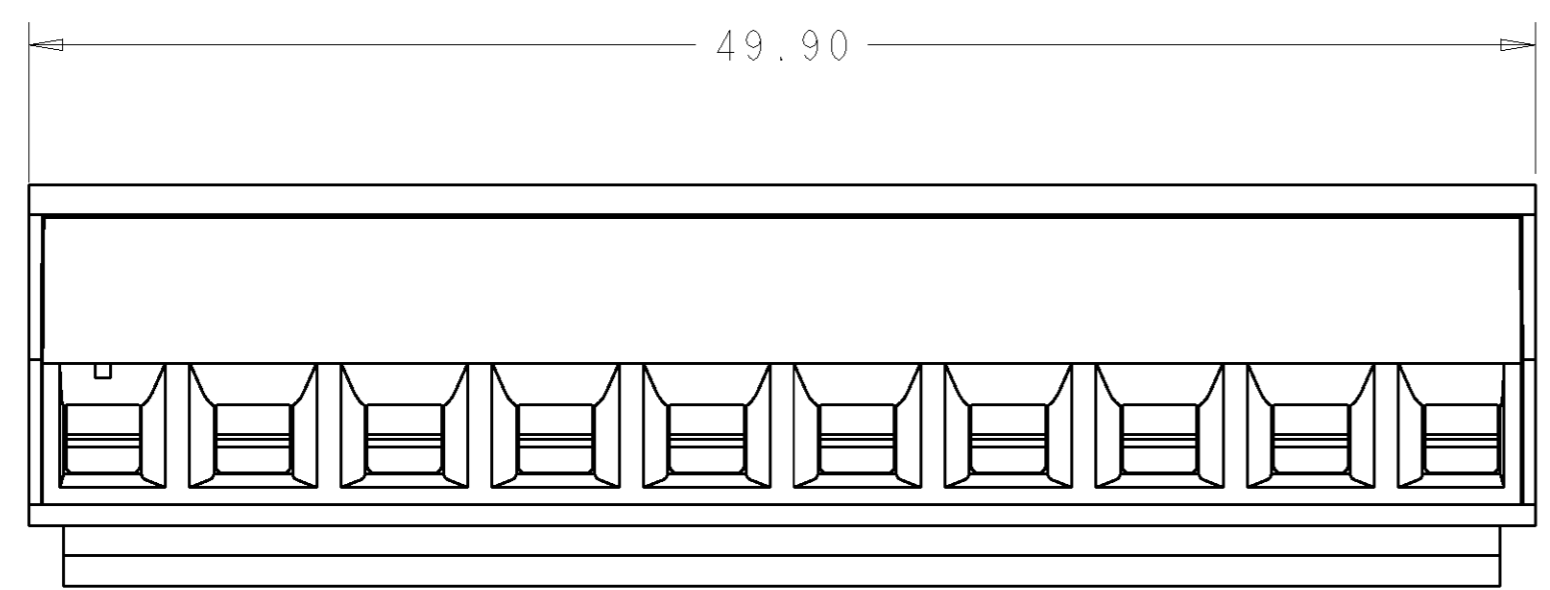
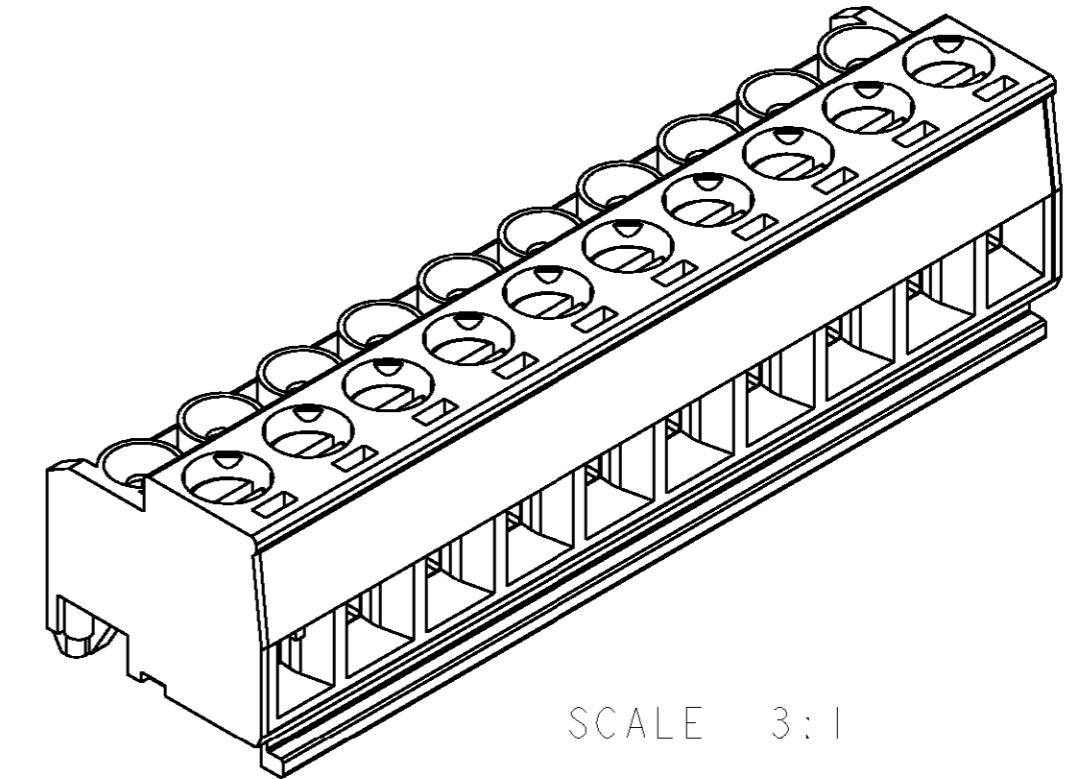
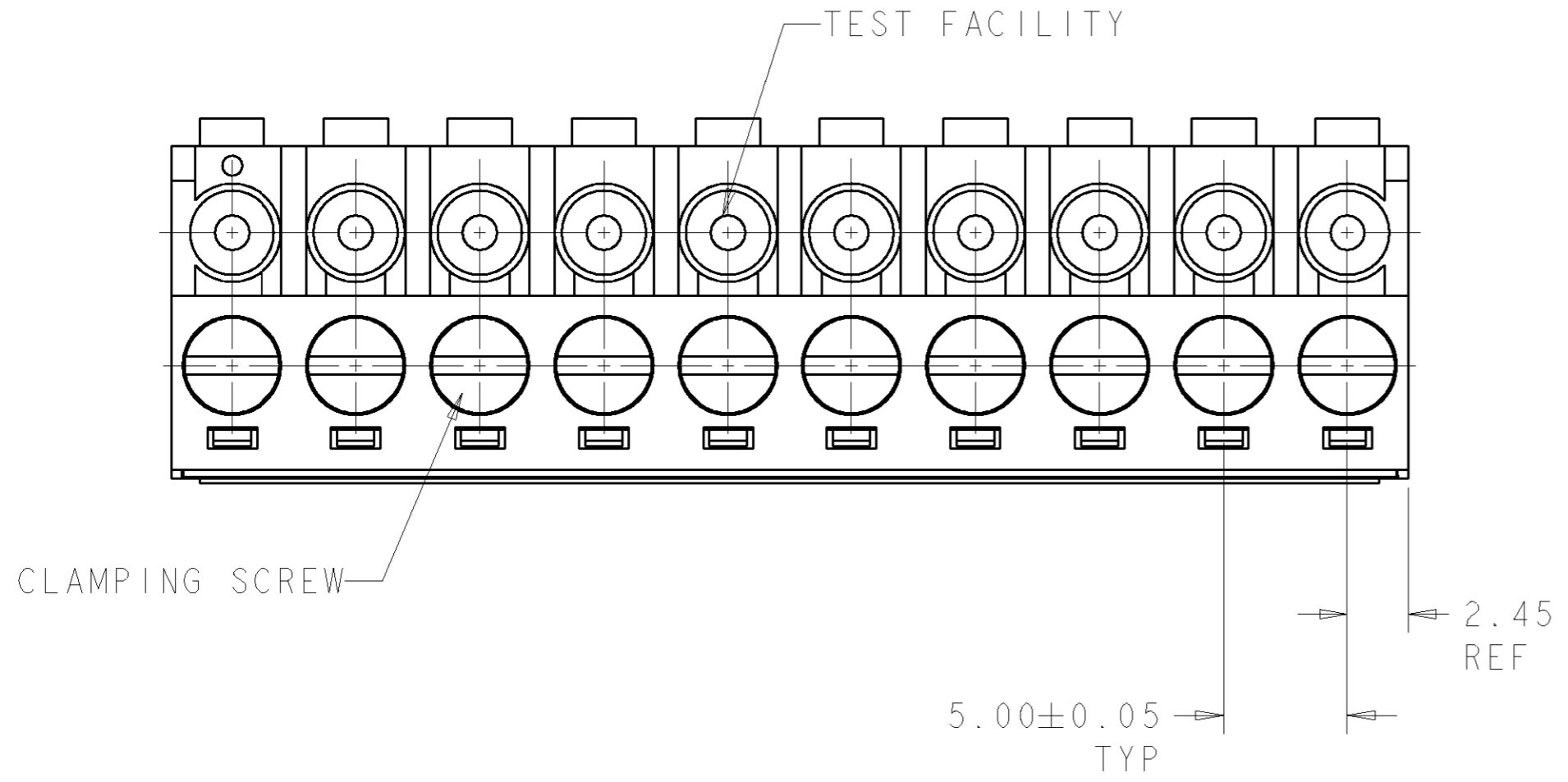


THIS DRAWING IS UNPUBLISHED. RELEASED FOR PUBLICATION 20
 © COPYRIGHT 20 BY TYCO ELECTRONICS CORPORATION. ALL RIGHTS RESERVED.

LOC	DIST	REVISIONS			
P	LTR	DESCRIPTION	DATE	DWN	APVD
FT	0				
	0	RELEASED EC 063B-0574-04	12JUL2004	SW	CR



△ MATERIAL AND FINISH
 HOUSING: PA 6/6, UL 94V-0 RATED, COLOR: GREEN.
 CLAMP: BRASS, NICKEL PLATED.
 TERMINAL: BRASS, NICKEL PLATED.
 CONTACT SPRING: PHOSPHOR BRONZE: TIN PLATED.
 CLAMPING SCREW: BRASS, NICKEL PLATE.

- 2. END-TO-END STACKABLE WITHOUT LOSS OF CENTERLINE SPACING.
- 3. WIRE RANGE: 14-30 AWG.

10	1-1776111-0
NO OF POSN	PART NUMBER

THIS DRAWING IS A CONTROLLED DOCUMENT FOR TYCO ELECTRONICS CORPORATION. IT IS SUBJECT TO CHANGE AND THE CONTROLLING ENGINEERING ORGANIZATION SHOULD BE CONTACTED FOR THE LATEST REVISION.		DWN: S. WELDON 12JUL2004	BUCHANAN Tyco Electronics Harrisburg, PA 17105-3608
DIMENSIONS: mm		CHK: C. RICHARD 12JUL2004	
TOLERANCES UNLESS OTHERWISE SPECIFIED:		APVD: C. RICHARD 12JUL2004	
0 PLC ± 1 PLC ±0.3 2 PLC ±0.25 3 PLC ±0.000 4 PLC ±0.000 ANGLES ± FINISH △ -		NAME: TERMINAL BLOCK ASSEMBLY, PLUG 90 DEGREE, STACKING, 5.00mm PITCH	
MATERIAL △ -		PRODUCT SPEC: -	RESTRICTED TO: -
		APPLICATION SPEC: -	SIZE: A2
		WEIGHT: -	CAGE CODE: 00779
		CUSTOMER DRAWING	DRAWING NO: 1776111
		SCALE: 4:1	SHEET 1 OF 1
			REV 0