

DETAIL 'D'
SCALE 5:1

No. OF POS.	
-005, -010, -020, -030, -040	0.10 [.004]
-050, -060, -070, -075	0.13 [.005]

ERF5 LEAD STYLE	ERM5 LEAD STYLE		
	-02.0	-04.0	-05.0
-05.0	7.0MM	9.0MM	10.0MM
-07.0	9.0MM	11.0MM	12.0MM

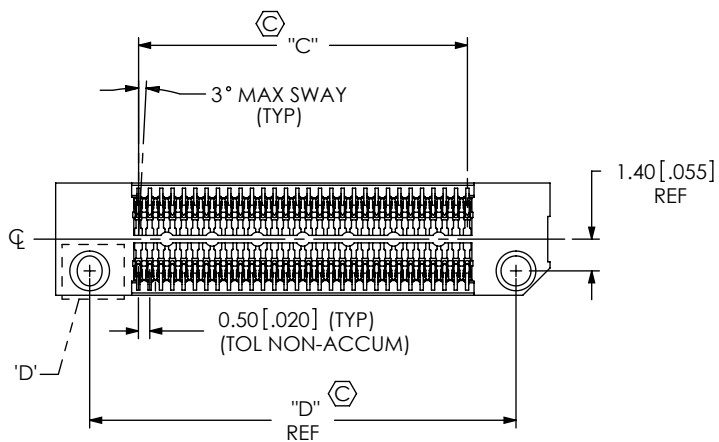


FIG 1
ERF5-030-05.0-X-DV-XX SHOWN

ERF5-XXX-XX.X-X-DV-XX-TR

No OF POSITIONS (PER ROW)

- 005, -010, -020, -030, -040, -050, -060, -070, -075

LEAD STYLE

- 05.0 = 5MM
- 07.0 = 7MM

PLATING SPECIFICATION

- L: 10µ" SELECTIVE GOLD IN CONTACT AREA, MATTE TIN TAIL
- S: 30µ" SELECTIVE GOLD IN CONTACT AREA, MATTE TIN TAIL

PACKAGING

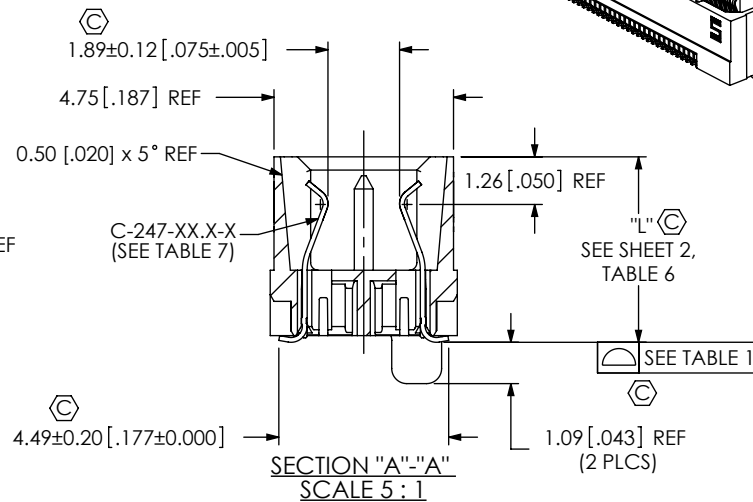
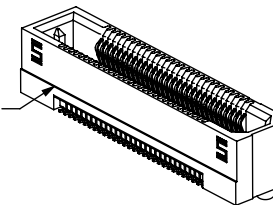
- TR: TAPE & REEL (SEE NOTE 5)

OPTION

- K: POLYIMIDE FILM PAD
- FL: FRICTION LOCK (OPTION INCLUDES A WELD TAB) (ONLY AVAILABLE UP TO 30 POSITIONS) (FOR MATING WITH ERM5...DV...-FL)
- WT: WELD TAB

ROW SPECIFICATION

- DV: DOUBLE VERTICAL



SECTION "A"- "A"
SCALE 5:1

NOTES:

- REPRESENTS A CRITICAL DIMENSION.
- MAXIMUM BURR ALLOWANCE: 0.038 [.0015]
- MINIMUM CONTACT PUSHOUT FORCE: 1.6 N [.4 LB]. MINIMUM WELD TAB PUSHOUT FORCE: 4.45 N [1 LB]
- DELETED
- FOR QUANTITIES UP TO 49 PIECES, NO LEADER, TRAILER, OR REEL WILL BE SUPPLIED. FOR QUANTITIES 50-124, NO LEADER, OR TRAILER WILL BE SUPPLIED

UNLESS OTHERWISE SPECIFIED, DIMENSIONS ARE IN MILLIMETERS [INCHES]. TOLERANCES ARE:
DECIMALS ANGLES
X.X: ±0.3 [.01] 2°
X.XX: ±0.13 [.005]
X.XXX: ±0.050 [.0020]

PROPRIETARY NOTE
THIS DOCUMENT CONTAINS CONFIDENTIAL AND PROPRIETARY INFORMATION AND ALL DESIGN, MANUFACTURING, REPRODUCTION, USE, PATENT RIGHTS AND SALES RIGHTS ARE EXPRESSLY RESERVED BY SAMTEC, INC. THIS DOCUMENT SHALL NOT BE DISCLOSED, IN WHOLE OR PART, TO ANY UNAUTHORIZED PERSON OR ENTITY NOR REPRODUCED, TRANSFERRED OR INCORPORATED IN ANY OTHER PROJECT IN ANY MANNER WITHOUT THE EXPRESS WRITTEN CONSENT OF SAMTEC, INC.

MATERIAL: DO NOT SCALE DRAWING SHEET SCALE: 2:1
INSULATOR: LCP, COLOR: BLACK
CONTACT: BeCu



520 PARK EAST BLVD, NEW ALBANY, IN 47150
PHONE: 812-944-6733 FAX: 812-948-5047
e-Mail: info@SAMTEC.com code 55322

DESCRIPTION:
0.5MM EDGE RATE SOCKET ASSEMBLY

DWG. NO.
ERF5-XXX-XX.X-X-DV-XX

BY: CLAY W 09-23-2010 SHEET 1 OF 3

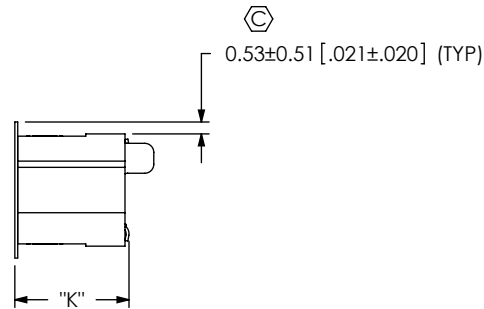
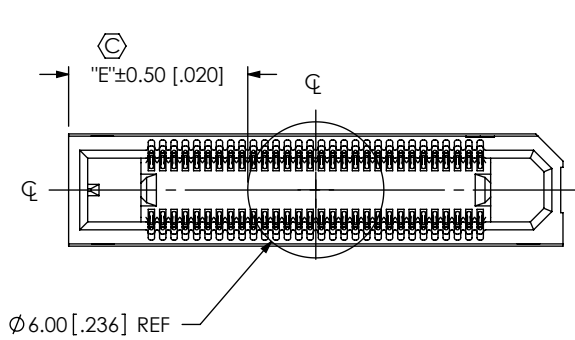
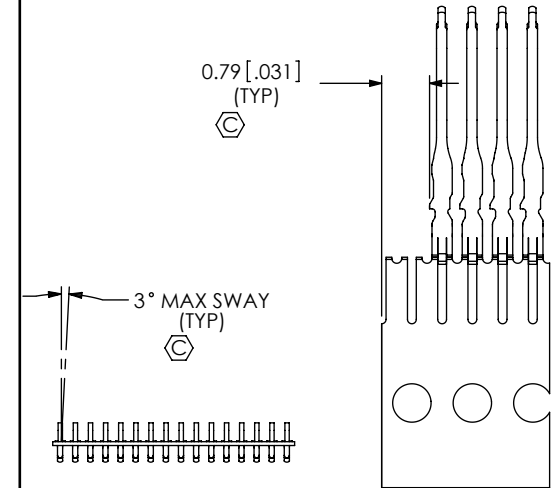


FIG 2
-K OPTION
(USE K-DOT-.236-.343-.005)
ERF5-030-05.0-X-DV-K SHOWN

TABLE 6

LEAD STYLE	"K"	"L"	"N"
-05.0	5.03 [0.198]	4.91 [0.193]	4.73 [0.186]
-07.0	7.03 [0.277]	6.91 [0.272]	6.73 [0.265]



IN PROCESS 1
CUT C-247-XX.X-X CONTACT COMBS
(ALL TAILS SAME DIRECTION)

TABLE 3

POSITION	"A"	"B"	"C"	"D"
-005	9.30 [0.366]	7.62 [0.300]	2.00 [0.079]	6.30 [0.248]
-010	11.80 [0.465]	10.12 [0.398]	4.50 [0.177]	8.80 [0.346]
-020	16.80 [0.661]	15.12 [0.595]	9.50 [0.374]	13.80 [0.543]
-030	21.80 [0.858]	20.12 [0.792]	14.50 [0.571]	18.80 [0.740]
-040	26.80 [1.055]	25.12 [0.989]	19.50 [0.768]	23.80 [0.937]
-050	31.80 [1.252]	30.12 [1.186]	24.50 [0.965]	28.80 [1.134]
-060	36.80 [1.449]	35.12 [1.383]	29.50 [1.161]	33.80 [1.331]
-070	41.80 [1.646]	40.12 [1.580]	34.50 [1.358]	38.80 [1.528]
-075	44.30 [1.744]	42.62 [1.678]	37.00 [1.457]	41.30 [1.626]

TABLE 9

POSITION	"E"					
	-K		-K-WT		-K-FL	
-005	1.65	[0.065]	3.15	[0.124]	3.15	[0.124]
-010	2.90	[0.114]	4.40	[0.173]	4.40	[0.173]
-020	5.40	[0.213]	6.90	[0.271]	6.90	[0.271]
-030	7.90	[0.311]	9.40	[0.370]	9.40	[0.370]
-040	10.40	[0.409]	11.90	[0.469]		
-050	12.90	[0.508]	14.40	[0.567]		
-060	15.40	[0.606]	16.90	[0.665]		
-070	17.90	[0.705]	19.40	[0.764]		
-075	19.15	[0.754]	20.65	[0.813]		

PROPRIETARY NOTE
THIS DOCUMENT CONTAINS CONFIDENTIAL AND PROPRIETARY INFORMATION AND ALL DESIGN, MANUFACTURING, REPRODUCTION, USE, PATENT RIGHTS AND SALES RIGHTS ARE EXPRESSLY RESERVED BY SAMTEC, INC. THIS DOCUMENT SHALL NOT BE DISCLOSED, IN WHOLE OR PART, TO ANY UNAUTHORIZED PERSON OR ENTITY NOR REPRODUCED, TRANSFERRED OR INCORPORATED IN ANY OTHER PROJECT IN ANY MANNER WITHOUT THE EXPRESS WRITTEN CONSENT OF SAMTEC, INC.

DO NOT SCALE DRAWING

SHEET SCALE: 2:1



520 PARK EAST BLVD. NEW ALBANY, IN 47150
PHONE: 812-944-6733 FAX: 812-948-5047
e-Mail info@SAMTEC.com code 55322

DESCRIPTION:
0.5MM EDGE RATE SOCKET ASSEMBLY

DWG. NO.
ERF5-XXX-XX.X-X-DV-XX

BY: CLAY W 09-23-2010 SHEET 2 OF 3

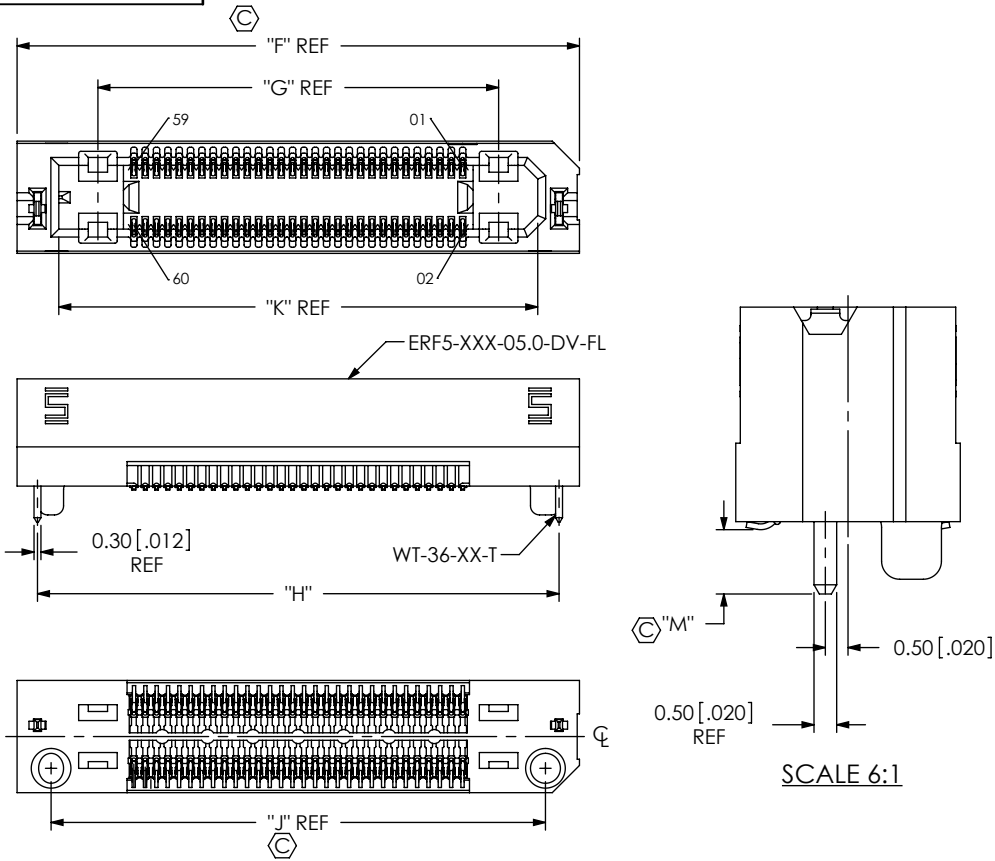


FIG 3
ERF5-030-05.0-X-DV-FL SHOWN
(SAME AS FIG 1 EXCEPT AS SHOWN)
(OPTION INCLUDES A WELD TAB, ONLY AVAILABLE UP TO 30 POSITIONS)

LEAD STYLE	ERF5-XXX-XX.X-DV-XX	C-247-XX.X-X	WT-36-XX-T	"M"
-05.0	ERF5-XXX-05.0-DV-XX	C-247-05.0-X	WT-36-01-T	1.42 [0.056]
-07.0	ERF5-XXX-07.0-DV-XX	C-247-07.0-X	WT-36-03-T	1.27 [0.050]

POSITION	"F"	"G"	"H"	"J"	"K"
-005	12.30 [0.484]	5.17 [0.204]	10.50 [0.413]	9.30 [0.366]	8.62[0.340]
-010	14.80 [0.583]	7.67 [0.302]	13.00 [0.512]	11.80 [0.465]	11.12[0.438]
-020	19.80 [0.780]	12.67 [0.499]	18.00 [0.709]	16.80 [0.661]	16.12[0.635]
-030	24.80 [0.976]	17.67 [0.696]	23.00 [0.906]	21.80 [0.858]	21.12[0.831]
-040	29.80 [1.173]	22.67 [0.893]	28.00 [1.102]	26.80 [1.055]	26.12[1.028]
-050	34.80 [1.370]	27.67 [1.089]	33.00 [1.299]	31.80 [1.252]	31.12[1.225]
-060	39.80 [1.567]	32.67 [1.286]	38.00 [1.496]	36.80 [1.449]	36.12[1.422]
-070	44.80 [1.764]	37.67 [1.483]	43.00 [1.693]	41.80 [1.646]	41.12[1.619]
-075	47.30 [1.862]	40.17 [1.581]	45.50 [1.791]	44.30 [1.744]	43.62[1.717]

POSITION	"F"	"H"	"J"	"K"
-005	12.30 [0.484]	10.50 [0.413]	9.30 [0.366]	8.62[0.340]
-010	14.80 [0.583]	13.00 [0.512]	11.80 [0.465]	11.12[0.438]
-020	19.80 [0.780]	18.00 [0.709]	16.80 [0.661]	16.12[0.635]
-030	24.80 [0.976]	23.00 [0.906]	21.80 [0.858]	21.12[0.831]
-040	29.80 [1.173]	28.00 [1.102]	26.80 [1.055]	26.12[1.028]
-050	34.80 [1.370]	33.00 [1.299]	31.80 [1.252]	31.12[1.225]
-060	39.80 [1.567]	38.00 [1.496]	36.80 [1.449]	36.12[1.422]
-070	44.80 [1.764]	43.00 [1.693]	41.80 [1.646]	41.12[1.619]
-075	47.30 [1.862]	45.50 [1.791]	44.30 [1.744]	43.62[1.717]

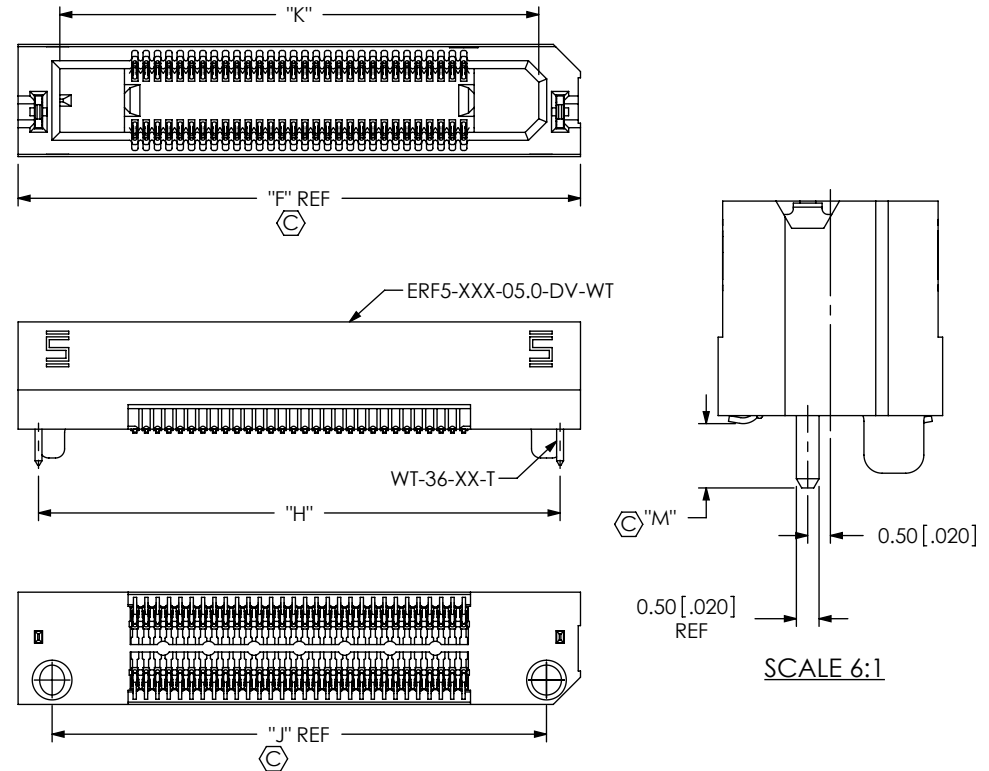


FIG 4
ERF5-030-05.0-X-DV-WT SHOWN
(SAME AS FIG 3 EXCEPT AS SHOWN)

PROPRIETARY NOTE
THIS DOCUMENT CONTAINS CONFIDENTIAL AND PROPRIETARY INFORMATION AND ALL DESIGN, MANUFACTURING, REPRODUCTION, USE, PATENT RIGHTS AND SALES RIGHTS ARE EXPRESSLY RESERVED BY SAMTEC, INC. THIS DOCUMENT SHALL NOT BE DISCLOSED, IN WHOLE OR PART, TO ANY UNAUTHORIZED PERSON OR ENTITY NOR REPRODUCED, TRANSFERRED OR INCORPORATED IN ANY OTHER PROJECT IN ANY MANNER WITHOUT THE EXPRESS WRITTEN CONSENT OF SAMTEC, INC.

DO NOT SCALE DRAWING
SHEET SCALE: 2:1



520 PARK EAST BLVD, NEW ALBANY, IN 47150
PHONE: 812-944-6733 FAX: 812-948-5047
e-Mail info@SAMTEC.com code 55322

DESCRIPTION:
0.5MM EDGE RATE SOCKET ASSEMBLY

DWG. NO.
ERF5-XXX-XX.X-X-DV-XX

BY: CLAY W 09-23-2010 SHEET 3 OF 3