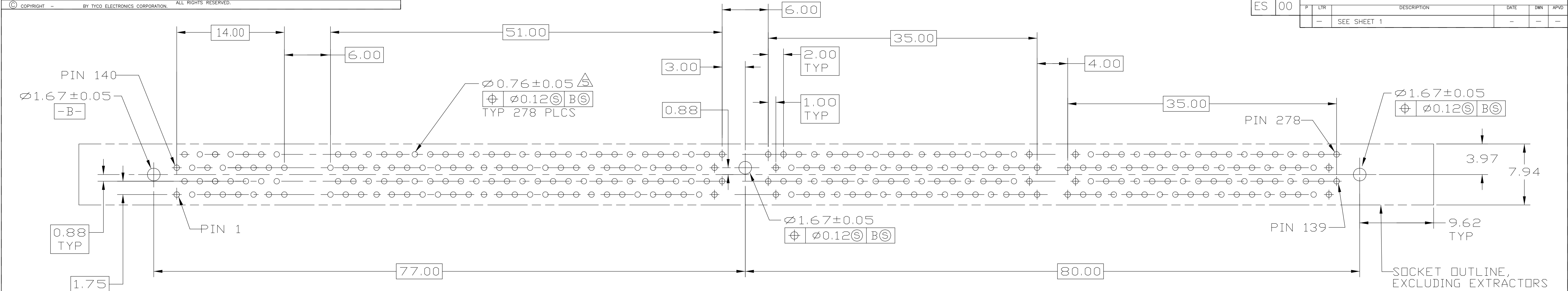


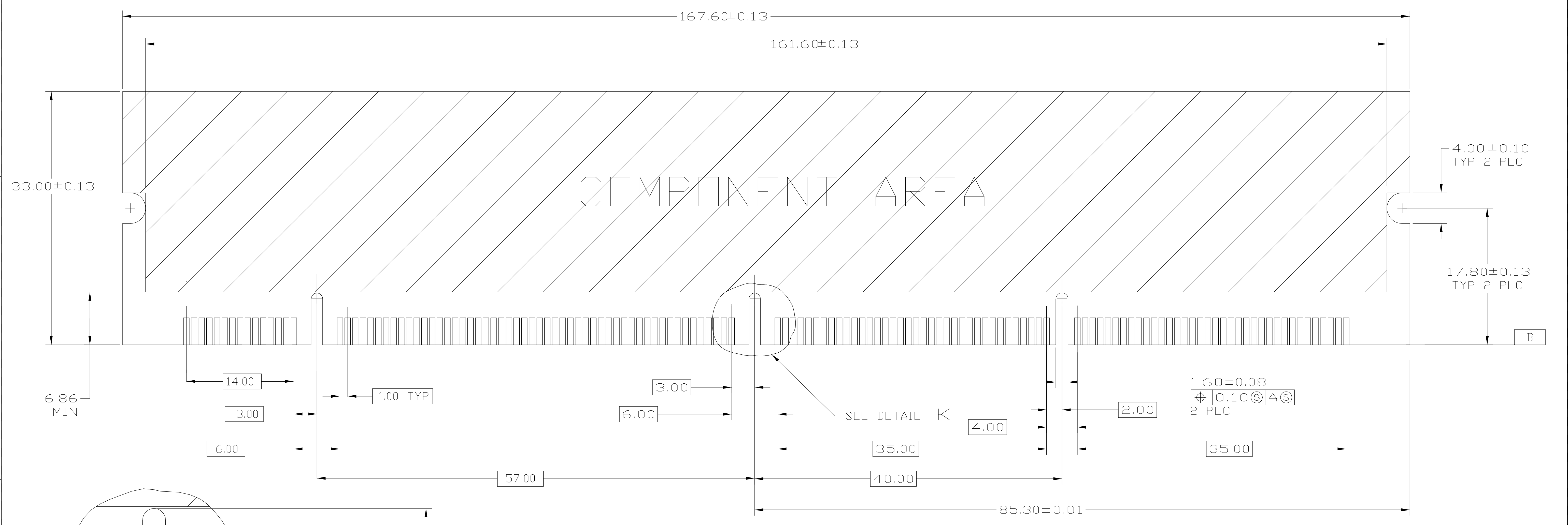
- DRAWING AND DIMENSIONS SHOWN ARE FOR A SINGLE 278 I/O SOCKET ASSEMBLY.
 - THE POST DIAMETER REFERENCE DIMENSIONS EXCLUDE THE POSTS' FLUTING FEATURES.
- ③ CONTACT PADS SHALL BE PLATED WITH 0.0008 [0.0003] MINIMUM THICK GOLD OVER 0.0038 [0.0015] MINIMUM THICK NICKEL.
- ④ MATERIAL:
 HOUSING- HIGH TEMPERATURE NYLON, BLACK.
 EXTRACTORS- HIGH TEMPERATURE NYLON; BLUE, BROWN.
 CONTACTS- PHOSPHOR BRONZE WITH 0.00076 [0.00030] MIN THICK GOLD OVER 0.00381 [0.00150] MIN THICK NICKEL IN CONTACT AREA AND 0.00381 [0.00150] MIN THICK TIN-LEAD OVER 0.00127 [0.00050] MIN THICK NICKEL ON SOLDER TAIL.
- ⑤ RECOMMENDED PCB DRILLED HOLE SIZE BEFORE PLATING 0.89 ± 0.013
 FINISHED PLATED HOLE SIZE OF 0.76 ± 0.05 [0.030 ± 0.02]
- ⑥ PCB SURFACE
- ⑦ DATE CODE LOCATED APPROX. AS SHOWN.

BROWN	5.79	4.21	278	292439-2
BLUE	5.79	5.29	278	292439-1
COLOR ①	DIM_B	DIM_A	POS	PART NUMBER

THIS DRAWING IS A CONTROLLED DOCUMENT.		DIN J.BURWELL 06NOV03	 Tyco Electronics Corporation SH/CN GuiPingRD 668#
DIMENSIONS: MM		CIK D.SHIRLING 06NOV03	
TOLERANCES UNLESS OTHERWISE SPECIFIED:		APVD -	NAME
0 PLC ± -		PRODUCT SPEC	
1 PLC ± 0.30		108-1717	
2 PLC ± 0.10		APPLICATION SPEC	
3 PLC ± 0.01		SIZE	
4 PLC ± -		CAGE CODE	
ANGLES ± -		DRAWING NO	
FINISH -		RESTRICTED TO	
MATERIAL ④		A1 00779 C=292439	
WEIGHT -		CUSTOMER DRAWING	
SCALE 6:1		SHEET 1 OF 2	
REV B			

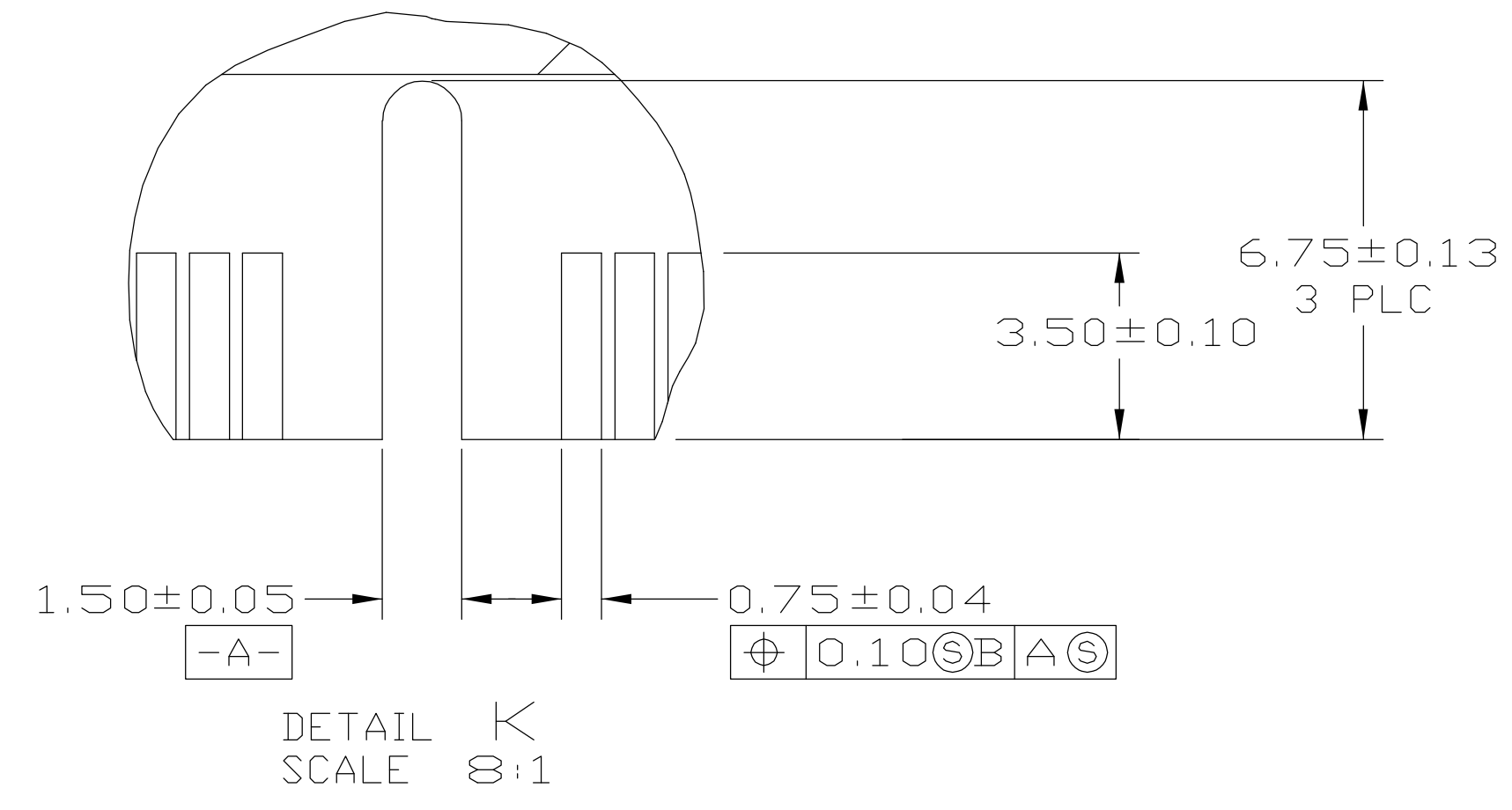


RECOMMENDED CIRCUIT BOARD HOLE LAYOUT
 SCALE 4:1



RECOMMENDED MODULE LAYOUT
 SCALE 4:1

MODULE THICKNESS: 1.27 ± 0.10 [0.050 ± 0.004] MEASURED ACROSS PADS \triangle



DETAIL K
 SCALE 8:1

THIS DRAWING IS A CONTROLLED DOCUMENT.		DWN J.BURWELL	DENOV03	tyco Electronics	Tyco Electronics Corporation	
		CHK D.SHIRLING	DENOV03		SH/CN GuiPingRD 668#	
DIMENSIONS:	TOLERANCES UNLESS OTHERWISE SPECIFIED:			PRODUCT SPEC	SOCKET ASSEMBLY, 16 BYTE DIMM, 1mm, 278 PRESS FIT	
MM	0. PLC ± - 1. PLC ± 0.30 2. PLC ± 0.10 3. PLC ± 0.01 4. PLC ± - ANGLES ± -			APPLICATION SPEC	SIZE A1 CAGE CODE 00779 DRAWING NO. 292439	
MATERIAL	FINISH			WEIGHT	RESTRICTED TO	
				CUSTOMER DRAWING	SCALE 6:1	SHEET 2 OF 2 REV B