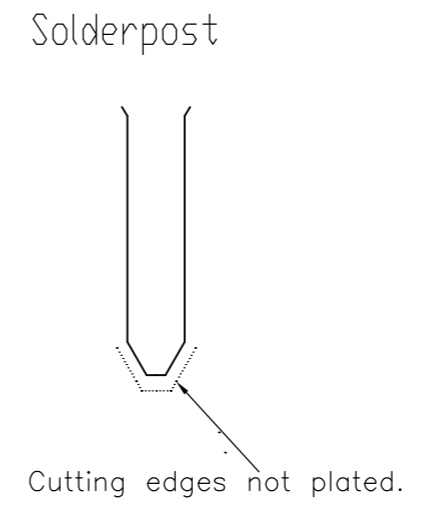
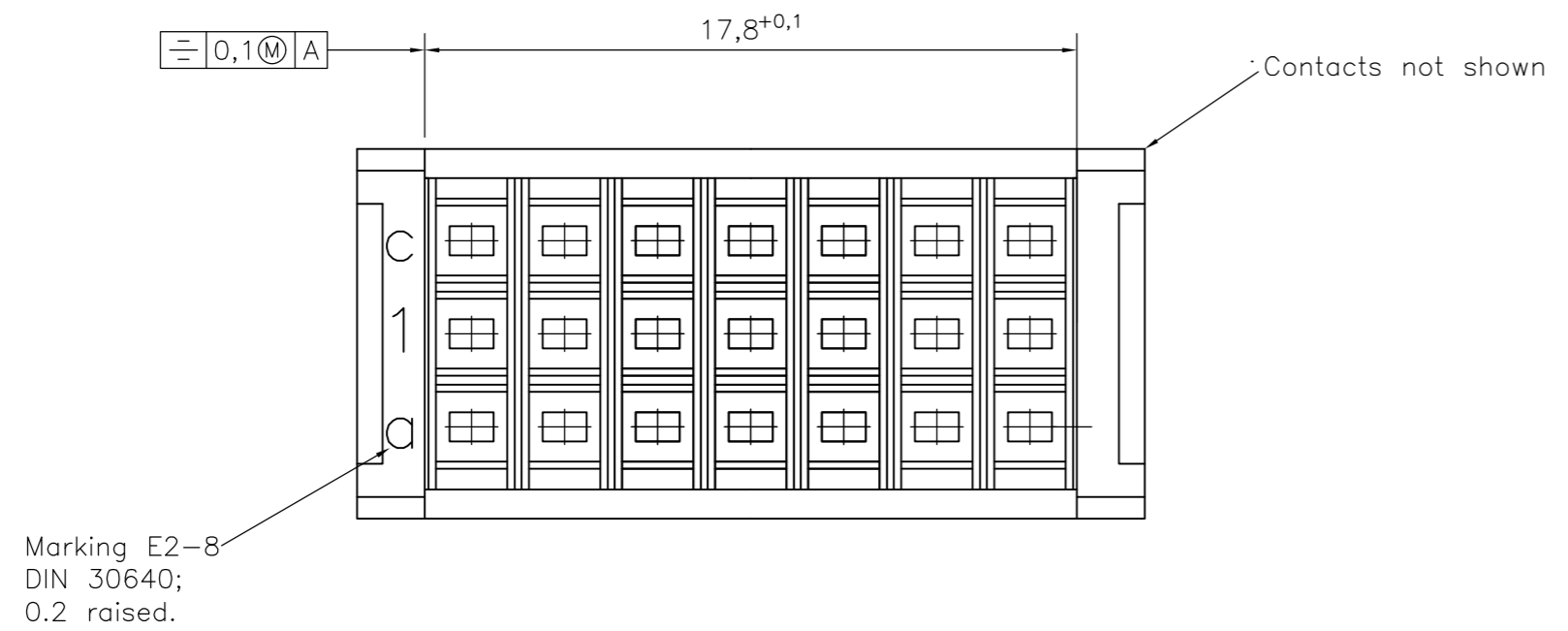


THIS DRAWING IS UNPUBLISHED. RELEASED FOR PUBLICATION
 © COPYRIGHT BY TYCO ELECTRONICS CORPORATION. ALL INTERNATIONAL RIGHTS RESERVED.

LOC	DIST	REVISIONS					
H	-	P	LTR	DESCRIPTION	DATE	DWN	APVD
		A		WO 00/7012	20-07-09	-	VS
		B		SR10-0250-02	24-05-02	-	BC
		B1		ECR-09-015706	24-11-09	AEG	MKO



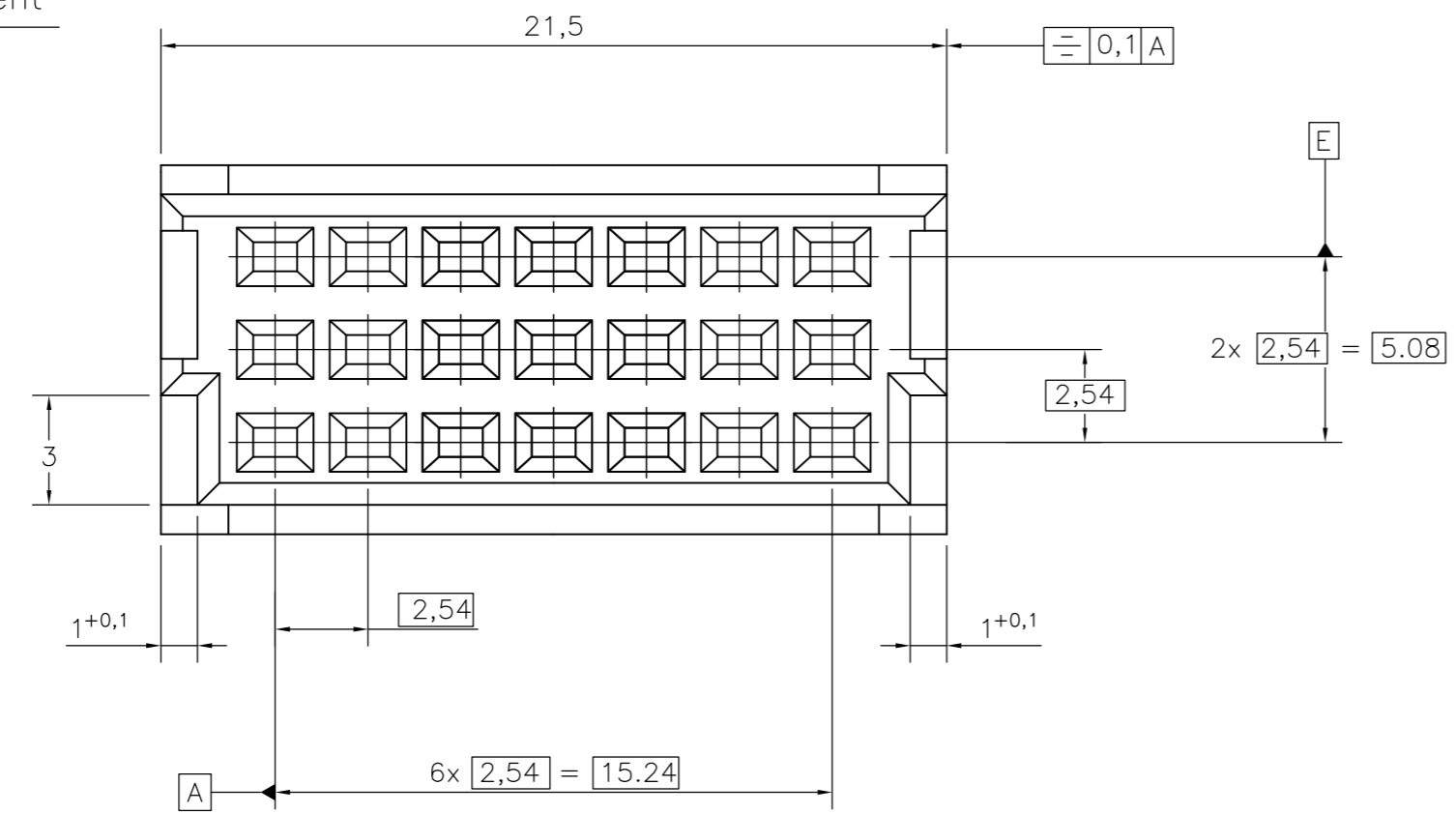
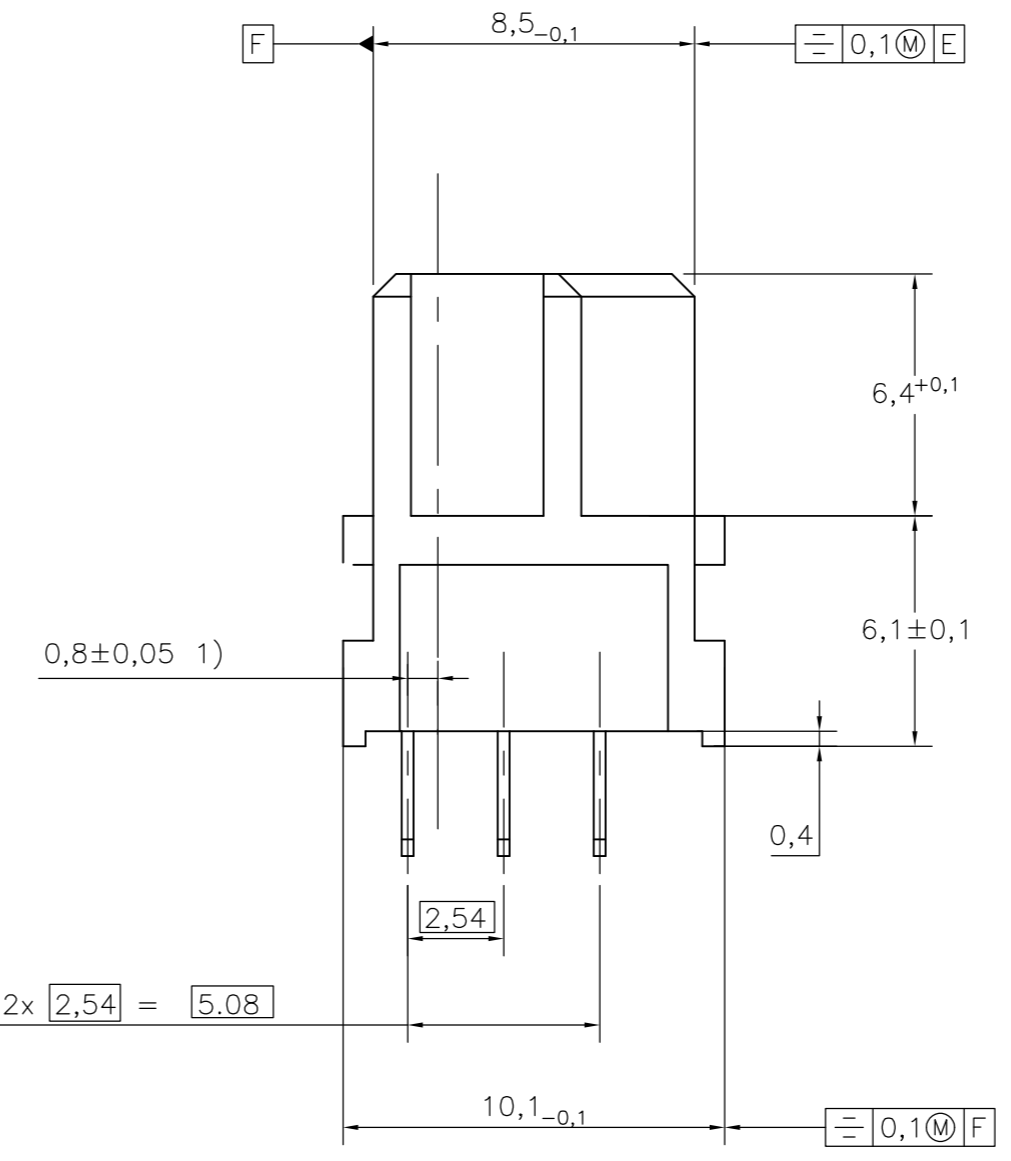
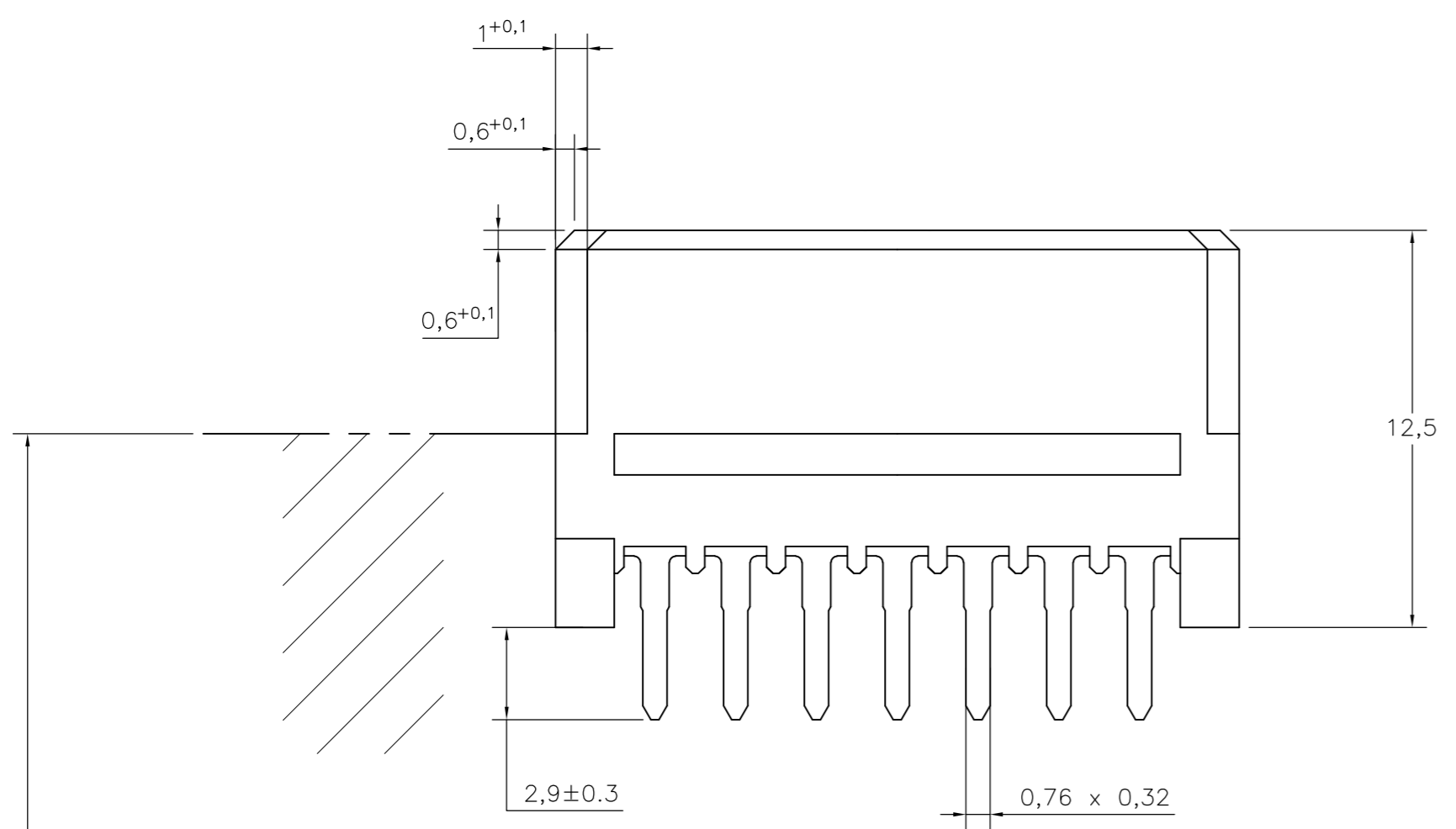
Loading Pattern (21 contacts)

	1	2	3	4	5	6	7
Row a	+	+	+	+	+	+	+
Row b	+	+	+	+	+	+	+
Row c	+	+	+	+	+	+	+

+ = contact
o = no contact

Specifications acc. IEC 603-2. Performance Level 2

Housing : PBTP 30% Glasfilled (UL94-V0)
 Pebblegrey similar RAL 7032
 Contact material : Copper Alloy
 Plating : Contact area : PdNi+Au or Au
 Termination area : Sn with flux-tight coating.



1) Center-displacement between termination- and contact-side.

Active Partnumber. Contact Tyco Electronics for other configuration availability

Old Partnumber	TE Part number
V42254-F2299-R7	1393657-5

THIS DRAWING IS A CONTROLLED DOCUMENT.		DWN 10JUN98 Cuvelier	Tyco Electronics Corporation 's-Hertogenbosch, Nederland	
DIMENSIONS: mm		CHK -	NAME Receptacle Ass'y, Type R, 21 pos.	
TOLERANCES UNLESS OTHERWISE SPECIFIED:		APVD -	PRODUCT SPEC PD_COM	
0 PLC ± -		APPLICATION SPEC -	DRAWING NO 00779	
1 PLC ± -		WEIGHT -	SCALE 5:1;10:1	
2 PLC ± -		CUSTOMER DRAWING	SHEET 1 OF 1	
3 PLC ± -			REV B1	
4 PLC ± -				
ANGLES ± -				
FINISH -				