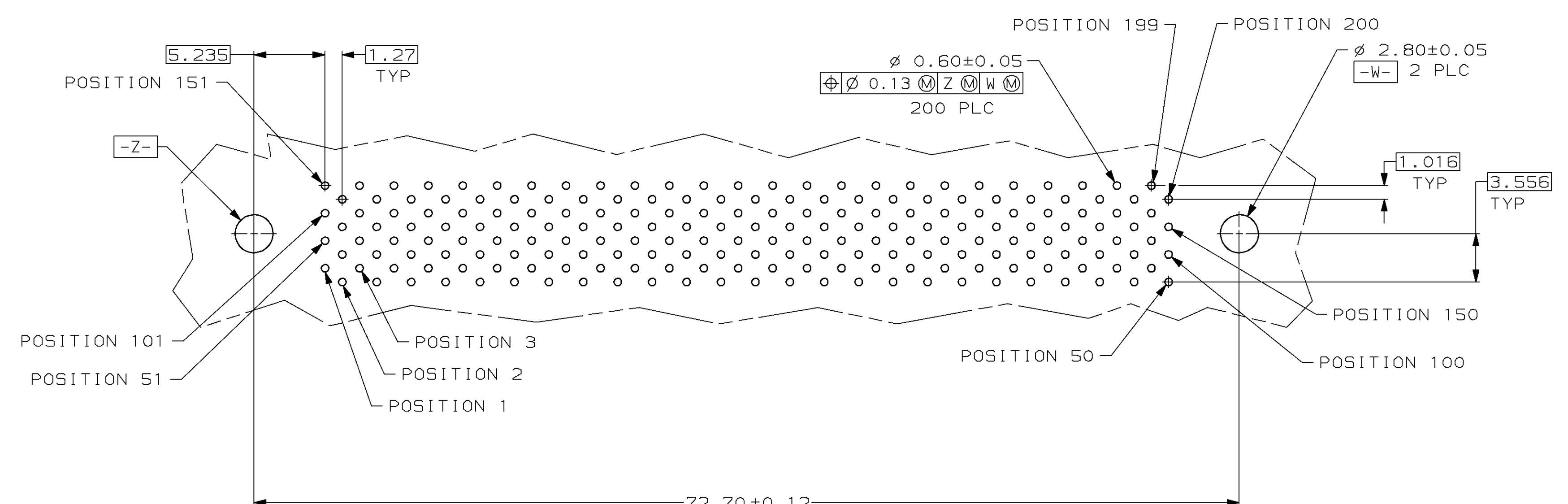
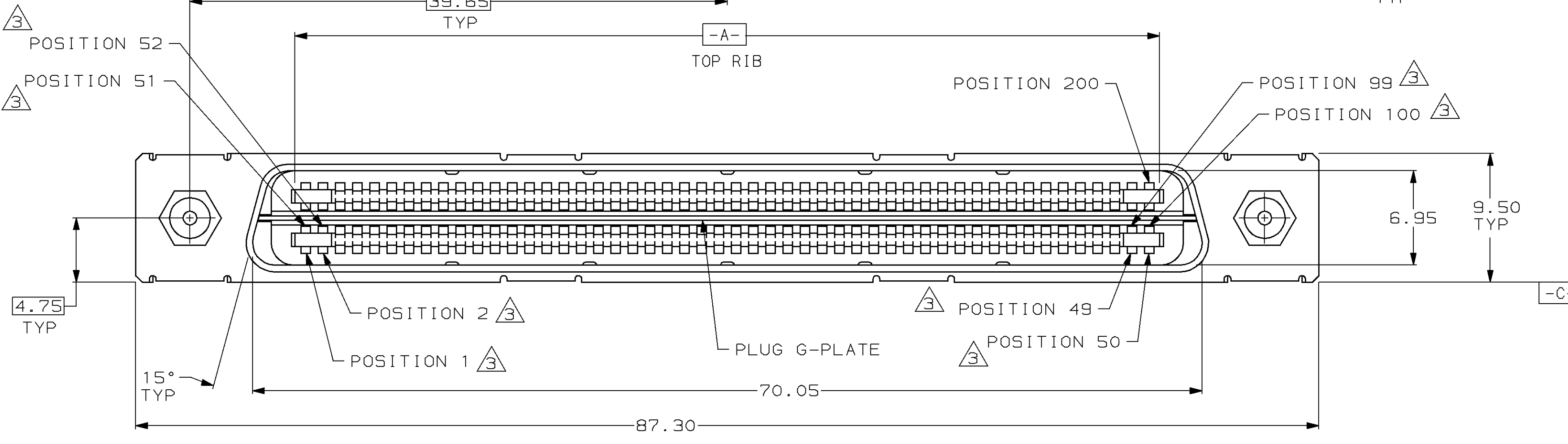
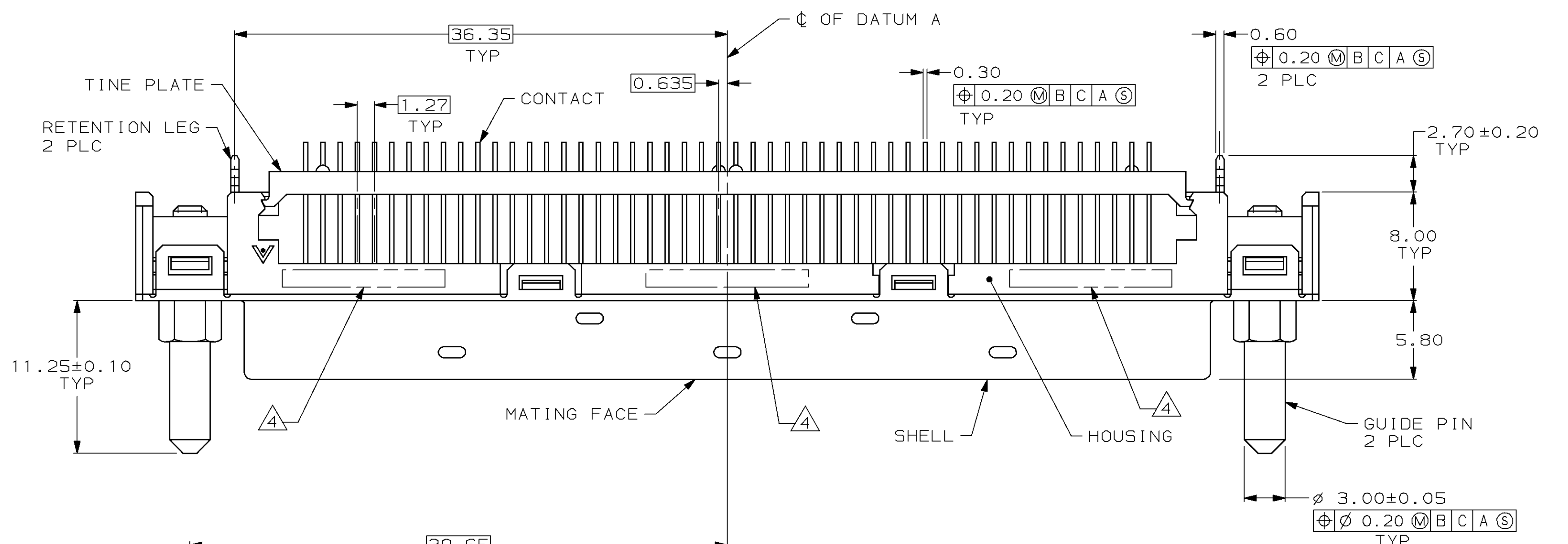
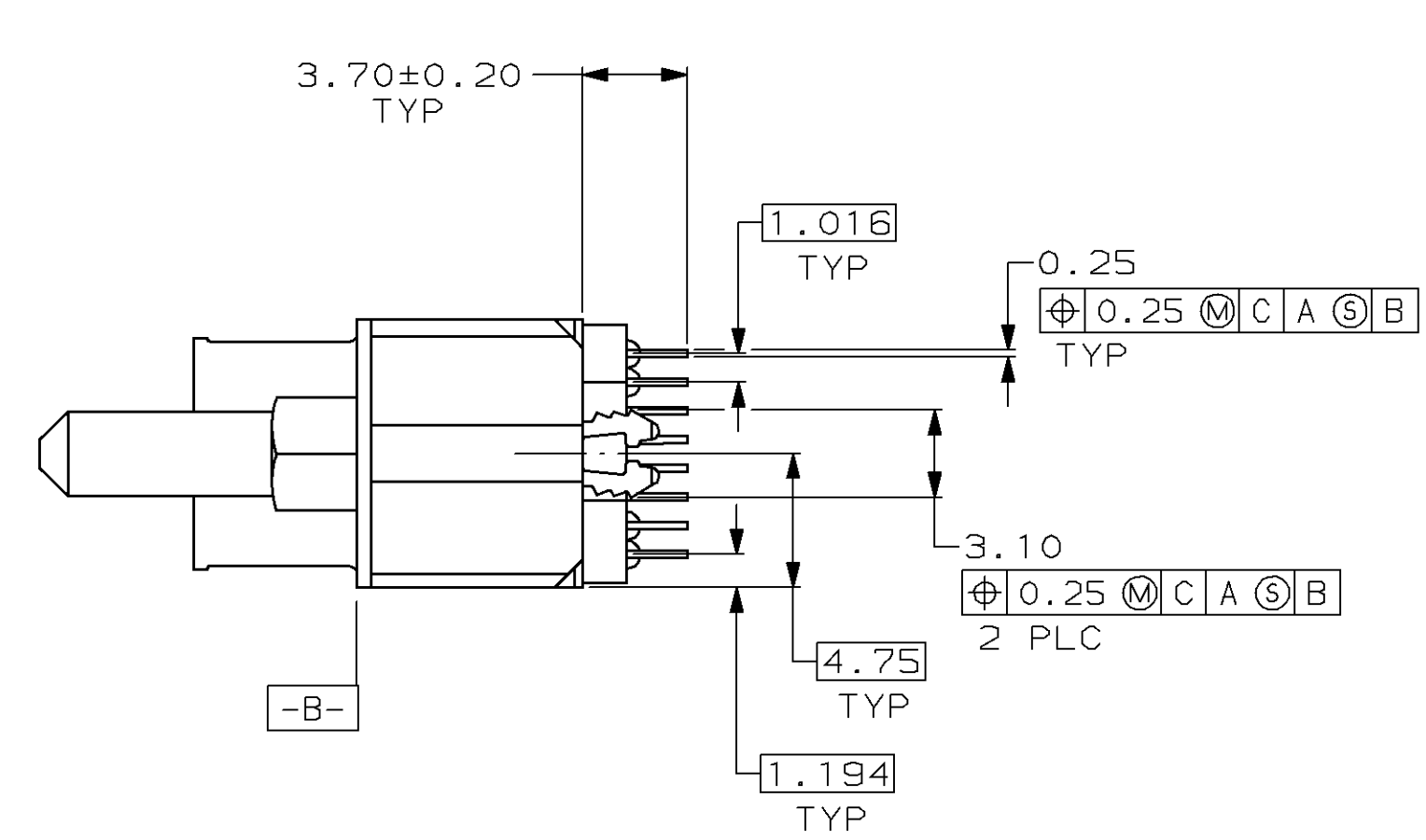


LOC		REV		REVISIONS			
AR	84	P	LTR	DESCRIPTION	DATE	OWN	APVD
		0		RELEASED PER NPR 5578 WAS 96-1999-8-2	-	-	-
		A		REV PER EC 0410-361-97	10 SEP 97	CD	JM



RECOMMENDED PC BOARD MOUNTING DIMENSIONS
COMPONENT SIDE

- 1 HOUSING AND TINE PLATE: POLYESTER, NATURAL.
CONTACT: COPPER ALLOY.
SHELL: CARBON STEEL.
RETENTION LEG AND GUIDE PIN: BRASS.
PLUG G-PLATE: STAINLESS STEEL.
- 2 SHELL: 3.00µm MIN NICKEL OVER 1.30µm MIN COPPER.
RETENTION LEG: 2.00µm MIN TIN-LEAD OVER 1.00µm MIN NICKEL.
GUIDE PIN: NICKEL OVER COPPER.
CONTACTS: 0.76µm MIN GOLD FOR A LENGTH OF 3.00 MIN FROM MATING END,
2.54 µm MIN TIN-LEAD FOR A LENGTH OF 3.90 MIN FROM OPPOSITE END,
BOTH OVER 1.27µm MIN NICKEL.
- 3 CONTACTS 1,2,49,50,51,52,99, AND 100 ARE SEQUENCED TOWARDS MATING FACE.
- 4 DATE CODE MAY BE MARKED ON THIS SIDE, IN ONE OF THE LOCATIONS SHOWN.



200	787886-1
NO OF POSN	PART NUMBER

THIS DRAWING IS A CONTROLLED DOCUMENT.		DWG C. DORWART 10 MAR 97		AMP Incorporated Harrisburg, PA 17105-3508	
DIMENSIONS: mm		CHK J. MOSIER 14 MAR 97		NAME PLUG ASSEMBLY, 200 POSITION, VERTICAL, .050, CHAMP™	
TOLERANCES UNLESS OTHERWISE SPECIFIED:		APVD J. MOSIER 14 MAR 97		PRODUCT SPEC -	
0 PLC ±-		APPLICATION SPEC -		SIZE A1	
1 PLC ±0.25		WEIGHT -		CAGE CODE 00779	
2 PLC ±-		CUSTOMER DRAWING		DRAWING NO C-787886	
3 PLC ±-		SCALE 4:1		SHEET 1 OF 1	
4 PLC ±-		REV A			
ANGLES ±2°					
FINISH 1					