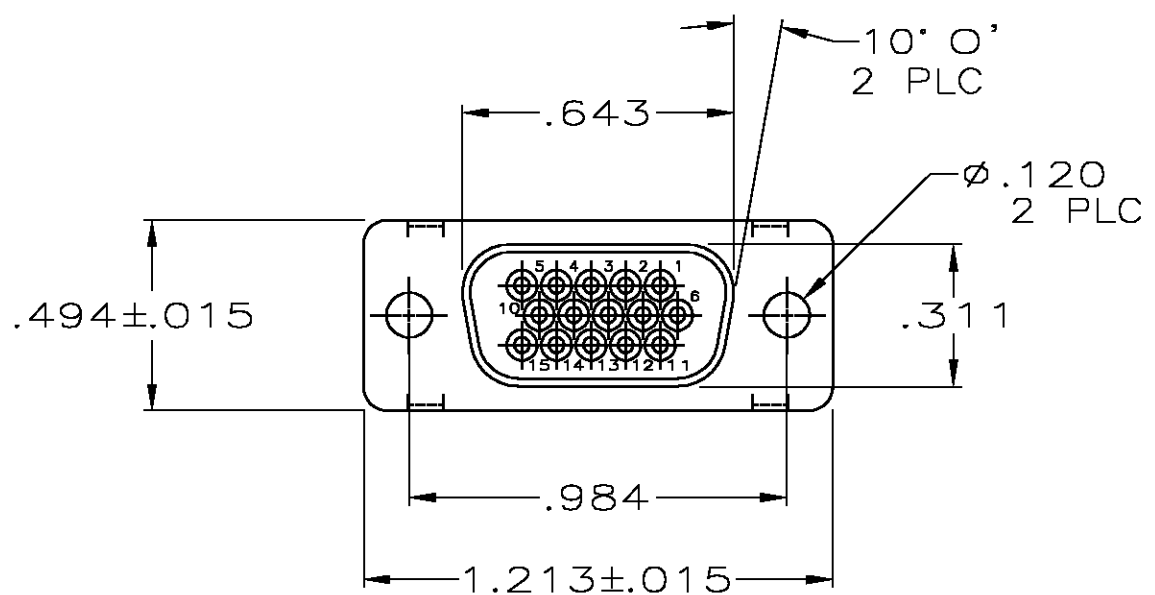
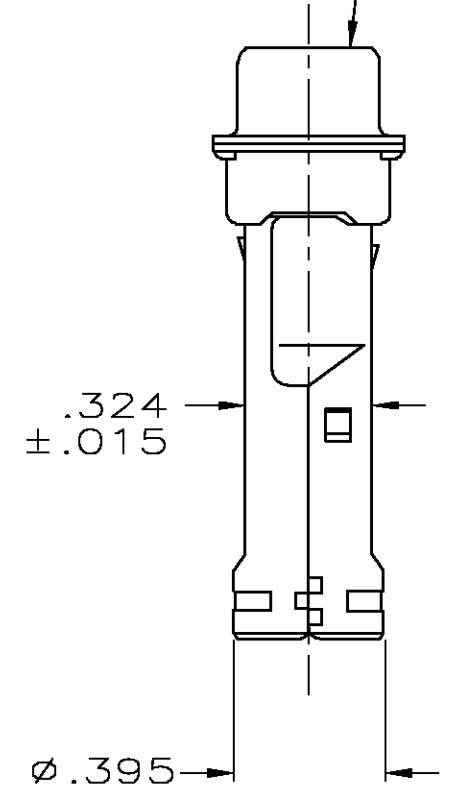
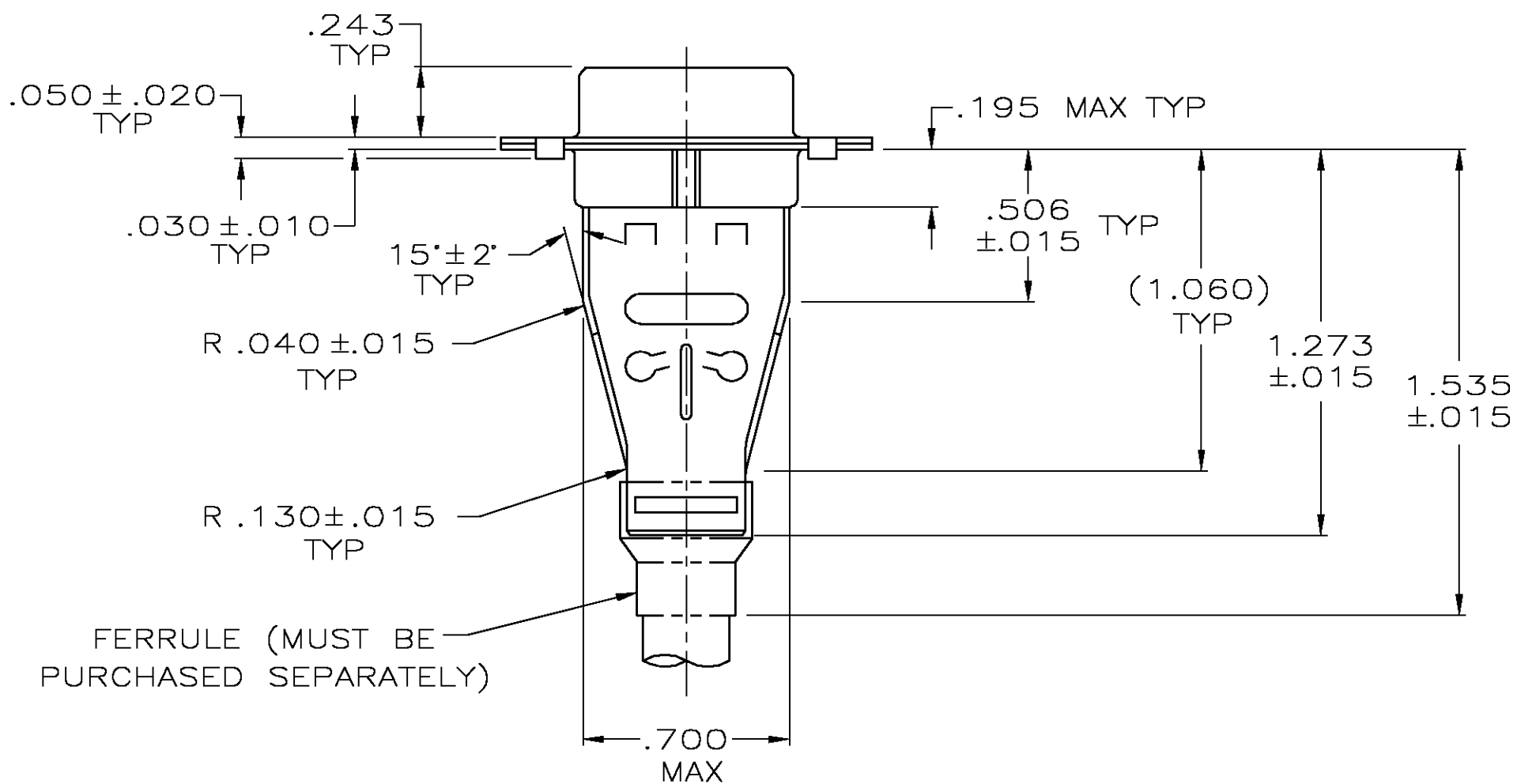


THIS DRAWING IS UNPUBLISHED. RELEASED FOR PUBLICATION  
 © COPYRIGHT BY TYCO ELECTRONICS CORPORATION. ALL RIGHTS RESERVED.

LOC	DIST	REVISIONS					
GP	00	P	LTR	DESCRIPTION	DATE	DWN	APVD
		0		RELEASED PER EC 0S13-0257-04	11-11-04	GA	JG



RECEPTACLE CONNECTOR



- RECEPTACLE ACCEPTS SIZE 22 SOCKET CONTACTS (CONTACTS ORDERED SEPARATELY)
- ALL PARTS SHIPPED UNASSEMBLED, EACH PART INDIVIDUALLY BULK PACKED.
- HOUSING: FLAME RETARDANT 94V-0 RATED, GLASS FILLED NYLON, BLACK.
- SHELLS & SHIELDS: STEEL PER ASTM A109
- SHELLS & SHIELDS: .000200 MIN TIN PLATE OVER .000100 MIN COPPER UNDERPLATE.

5748634-1  
 PART NUMBER

THIS DRAWING IS A CONTROLLED DOCUMENT.		DWN 11-11-04 G. ATTADIA - DOCK5	Tyco Electronics Corporation Harrisburg, PA 17105-3608	
DIMENSIONS: INCHES		CHK 11-11-04 J. GERACE	NAME	
TOLERANCES UNLESS OTHERWISE SPECIFIED:		APVD 11-11-04 M. WALMSLEY	KIT, RCPT, SHIELDING HARDWARE, SIZE 1, 15 POSN, HDP-22, AMPLIMITE	
0 PLC ± - 1 PLC ± - 2 PLC ± - 3 PLC ± .005 4 PLC ± - ± 0° 30'		PRODUCT SPEC 108-1268	SIZE A2	RESTRICTED TO -
MATERIAL		APPLICATION SPEC 114-10001	CAGE CODE 00779	DRAWING NO C=5748634
FINISH		WEIGHT -	SCALE 2:1	SHEET 1 OF 1 REV 0
CUSTOMER DRAWING				

5748634