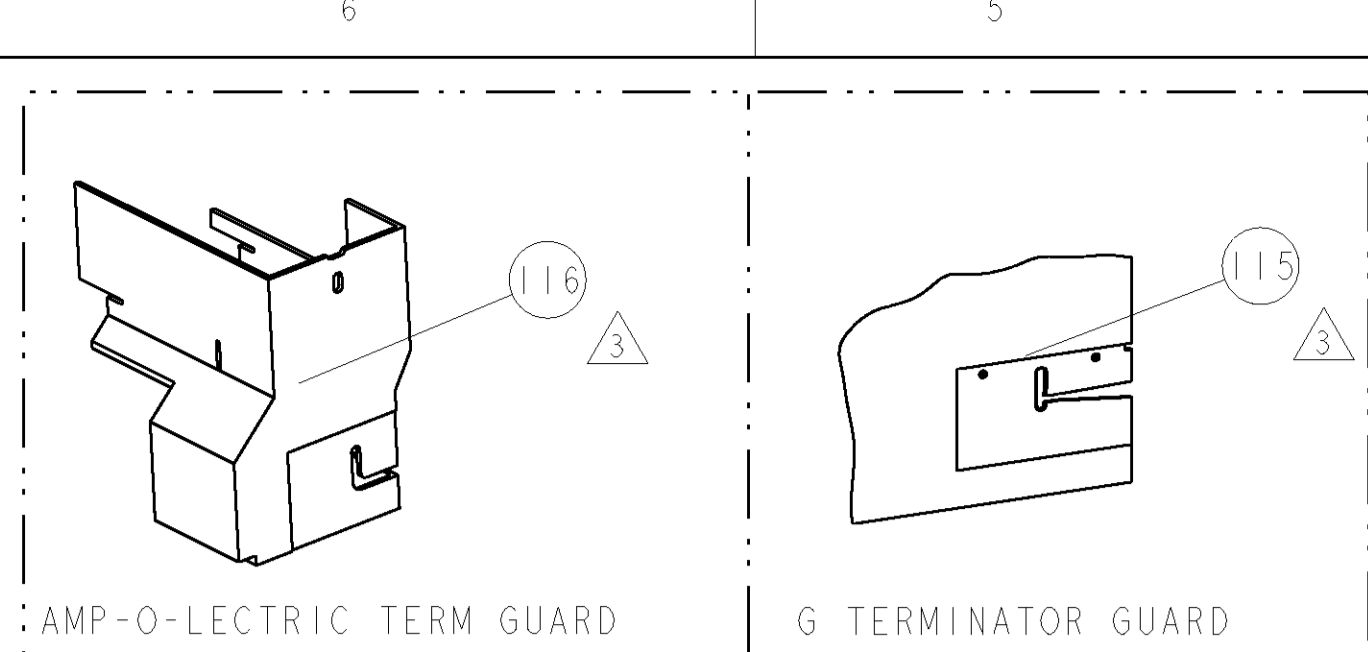


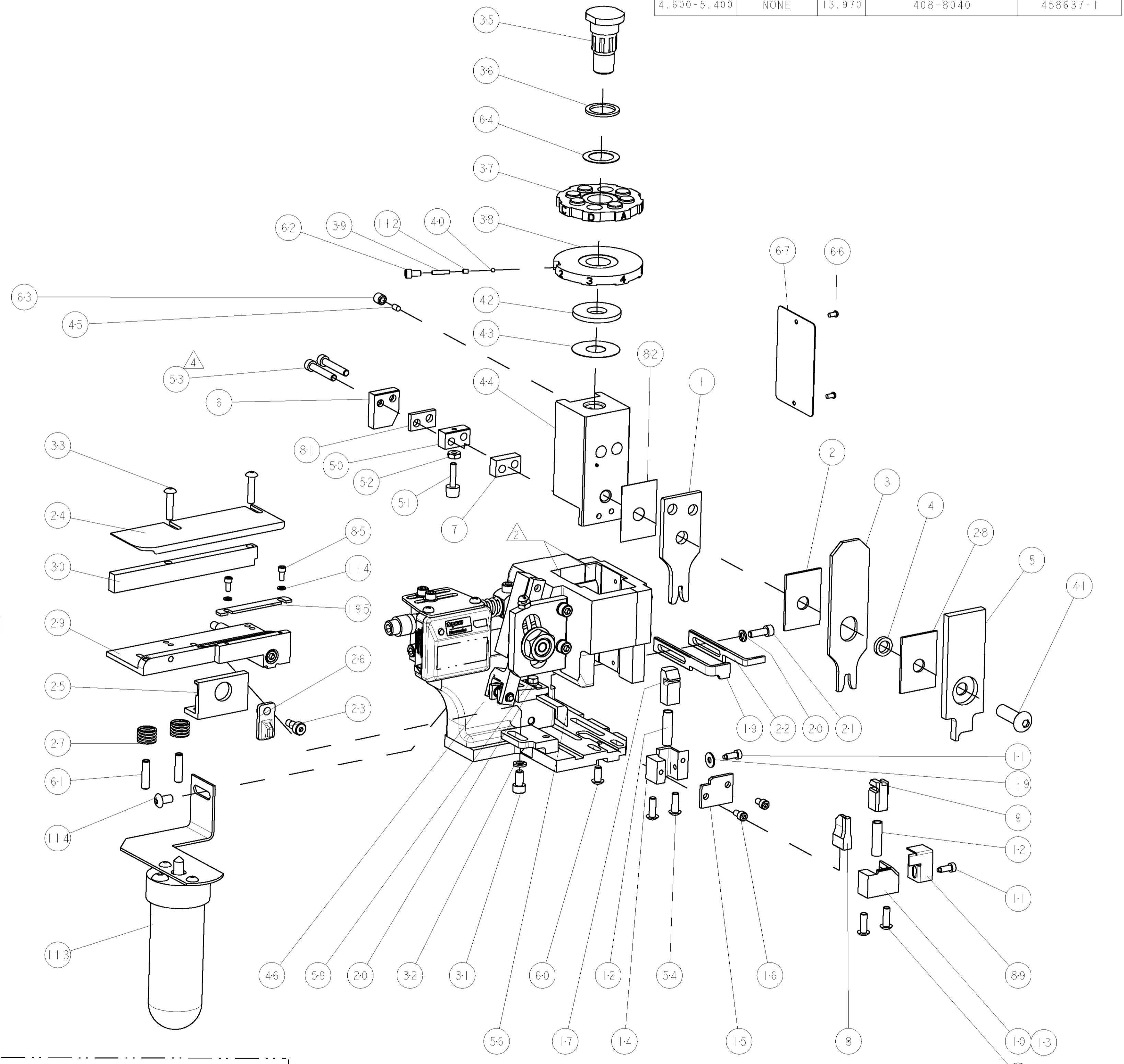
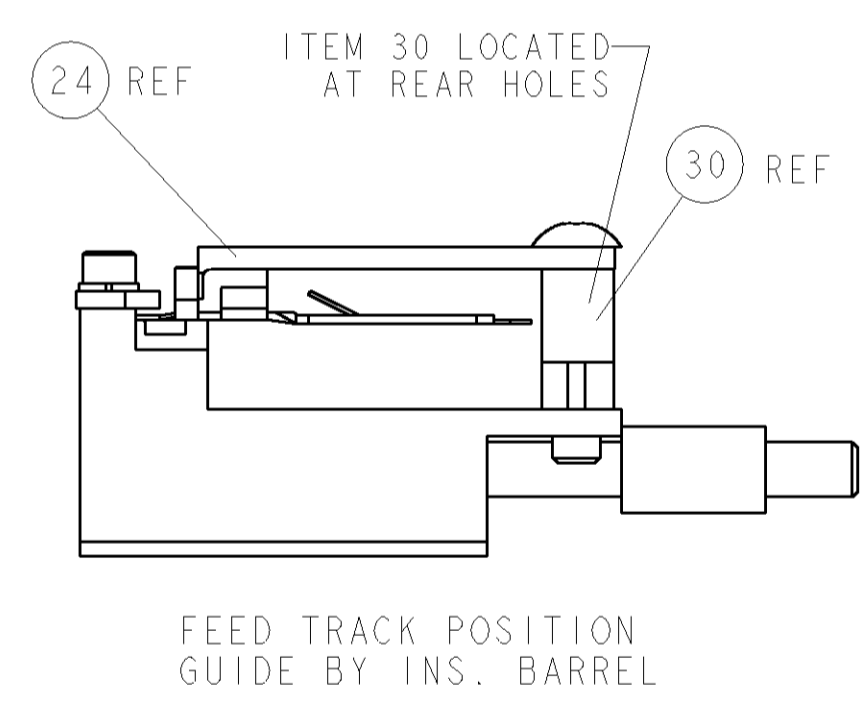
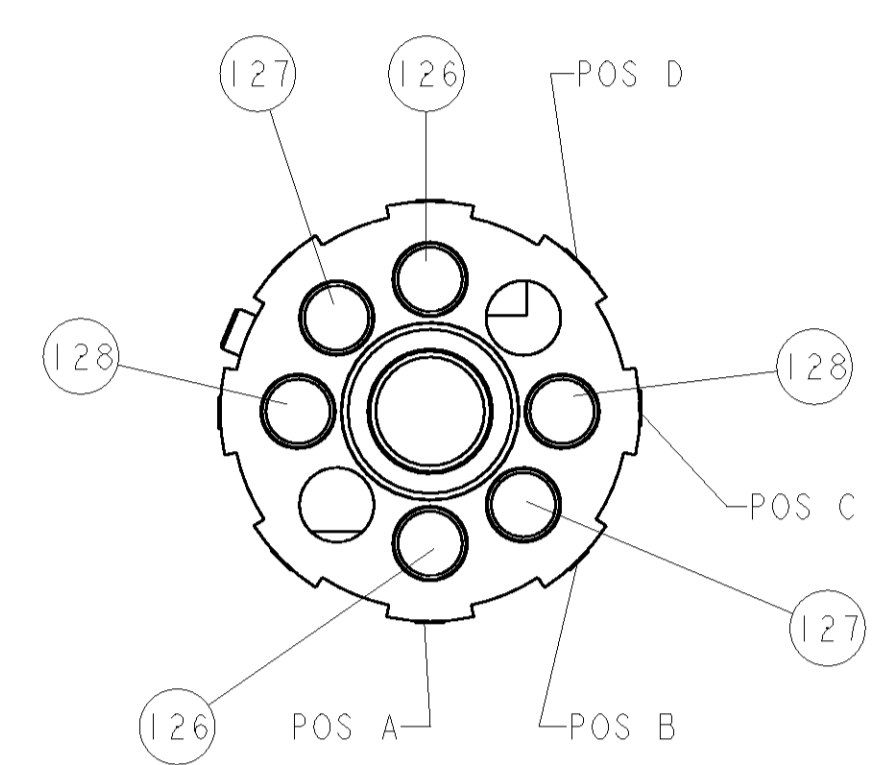
PART NUMBER	REV	FIRST USED	POWER UNIT	FEED TYPE	DESCRIPTION
1852667-1	A	122500-1	LEADMAKER	POST FEED	CUTS CARRIER
1852667-2	A	565435-5	BENCH MODEL K	PRE FEED	CUTS CARRIER
1852667-3	A	354500-1	BENCH MODEL G	PRE FEED	CUTS CARRIER
1852667-6	A	122500-1	LEADMAKER	POST FEED	CONTINUOUS CARRIER
7-1852667-7	A	-	-	-	SPARE PARTS



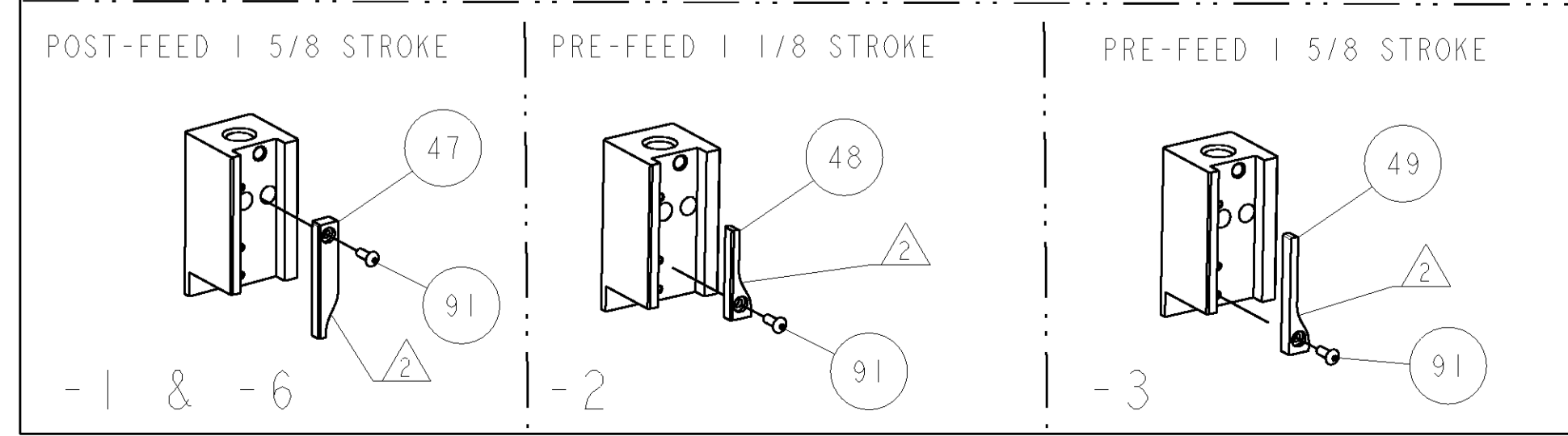
TERMINAL NAME: 6.3mm TAB CONTACT			
TE P/N	GHW/LEAR P/N	GHW/LEAR TERMINAL - TE CRIMP SPECS	
1949657-1	25297.123.178		
-	-	CRIMP HEIGHT	WIRE SIZE
-	-	A 1.48mm+0.05/-0.05 [.058+/.002/-0.002]	1mm2
-	-	B 1.41mm+0.05/-0.05 [.056+/.002/-0.002]	0.8mm2
-	-	C 1.30mm+0.05/-0.05 [.051+/.002/-0.002]	0.5mm2
-	-	D	-
-	-	CRIMP	SIZE
-	-	WIRE	2.29mm [.090]
-	-	INSUL	3.94mm [.155]
WIRE STRIP LENGTH	TERM APPL SPEC	FEED	APPLICATOR INSTRUCTIONS
4.600-5.400	NONE	13.970	408-8040
-	-	-	SET UP GAGE
-	-	-	458637-1

LOC	DIST	REV	DESCRIPTION	DATE	OWN	APVD
A	66		RELEASED	07MAY2008	RK	GB

- △ RECOMMENDED SPARE PARTS
- △ GREASE LIGHTLY
- △ GUARD MUST BE IN PLACE WHEN OPERATING APPLICATOR IN A BENCH MACHINE
- △ CUT TO LENGTH AT ASSEMBLY.



REF	QTY	U/M	PART NO	DESCRIPTION	ITEM NO
3	-	-	679532-1	INSERT, GUARD	115
-	-	-	21024-2	WASHER, SPRG LOCK, REG NO 4	114
-	-	-	2-21002-6	SCR, BTN SKT HD CAP 10-32 X .375	114
-	-	-	1-465184-0	LUBRICATOR ASSY	113
-	-	-	690603-1	SPRING ASSIST AMP-O-MATOR APPLICATOR	112
-	-	-	1-21002-7	SCR, BTN SKT HD CAP 6-32 X .375	91
-	-	-	318563-1	GUARD, FRONT CHIP	89
-	-	-	1-21000-3	SCR, SKT HD CAP 4-40 X .250	85
-	-	-	455888-2	SPACER, CRIMPER	82
-	-	-	240641-7	SPACER	81
-	-	-	4088040	SF APPL INST 408-8040	72
-	-	-	217238-1	GENERAL INSTRUCTION PKG	71
-	-	-	461264-1	PLATE, IDENTIFICATION	67
-	-	-	21017-2	SCREW, DRIVE	66
-	-	-	986950-1	WASHER, FLAT PRECISION	64
-	-	-	21009-2	SCR, SET, SELF LOCKING 1/4-20 X .250	63
-	-	-	23030-1	SCR, SKT HD CAP 6-32 X .25	62
-	-	-	5-21006-6	SCR, SET, CUP POINT 10-32 X .750	61
-	-	-	22733-8	SCR, BHSC, SELF-LOCKING, 8-32 X .375	60
-	-	-	2-22603-0	SCR, HEX HD CAP 8-32 X .312	59
-	-	-	4-694433-1	FEED PAWL	56
-	-	-	2-21002-2	SCR, BTN SKT HD CAP 8-32 X .500	54
-	-	-	3-21000-1	SCR, SKT HD CAP 8-32 X 1.000	53
-	-	-	21018-5	NUT, HEX, REG 6-32	52
-	-	-	811242-2	BUMPER, HOLD DOWN	51
-	-	-	690753-1	SPACER, TONKER	50
-	-	-	690602-6	CAM, PRE FEED, 1 5/8	49
-	-	-	690602-5	CAM, PRE FEED, 1 1/8	48
-	-	-	690501-4	CAM, POST FEED, 1 5/8	47
-	-	-	1-459456-0	APPL. BASIC SUB ASSY (SIDE WISE MOCA)	46
-	-	-	690191-1	PLUG, NYLON	45
-	-	-	455673-1	RAM, SIDE FEED	44
-	-	-	690125-1	SHIM SUB-ASSY	43
-	-	-	690124-1	WASHER, RAM (.115)	42
-	-	-	7-21002-9	SCR, BTN SKT HD CAP 5/16-24 X 1.00	41
-	-	-	23241-6	BALL, STEEL	40
-	-	-	690170-1	SPRING, COMPRESSION	39
-	-	-	690142-1	DISC, INSULATION	38
-	-	-	354777-1	WIRE DISC, ASSEMBLY	37
-	-	-	22480-5	SPRING, COMPRESSION	36
-	-	-	690212-1	POST, RAM	35
-	-	-	2-21002-4	SCR, BTN SKT HD CAP 8-32 X .750	33
-	-	-	21024-5	WASHER, SPRG LOCK, REG NO 10	32
-	-	-	3-21000-4	SCR, SKT HD CAP 10-32 X .375	31
-	-	-	1-1320908-5	SPACER, STRIP GUIDE	30
-	-	-	1633091-6	ASSEMBLY, STRIP GUIDE	29
-	-	-	1-455888-2	SPACER, CRIMPER	28
-	-	-	1-22284-0	SPRING, COMPRESSION	27
-	-	-	356835-1	LEVER, DRAG RELEASE	26
-	-	-	240792-5	DRAG, TERMINAL	25
-	-	-	1320928-5	PLATE, STRIP GUIDE	24
-	-	-	21989-8	SCR, SKT HD SHLDR 3/16 DIA X .250	23
-	-	-	690472-2	STRIPPER	22
-	-	-	2-21000-7	SCR, SKT HD CAP 8-32 X .500	21
-	-	-	21024-4	WASHER, SPRG LOCK, REG NO 8	20
-	-	-	691353-1	STRIPPER	19
-	-	-	690463-1	FLOATING SHEAR, REAR	17
-	-	-	1-21000-8	SCR, SKT HD CAP 6-32 X .250	16
-	-	-	690464-2	SHEAR PLATE, REAR	15
-	-	-	690462-1	SHEAR HOLDER, REAR	14
-	-	-	679625-1	SHEAR HOLDER, FRONT (NO CUT)	13
-	-	-	3-22280-3	SPRING, COMPRESSION	12
-	-	-	690461-1	STOP, SHEAR	11
-	-	-	690459-1	SHEAR HOLDER, FRONT	10
-	-	-	454276-1	FLOATING SHEAR, FRONT	9
-	-	-	2-1633382-9	ANVIL, COMBINATION	8
-	-	-	4-240641-5	SPACER	7
-	-	-	2-690468-2	DEPRESSOR SHEAR, REAR	6
-	-	-	1-455889-4	DEPRESSOR, SHEAR	5
-	-	-	238011-4	BLOCK, CRIMPER SPACER	4
-	-	-	3-1424909-3	CRIMPER, INSULATION F	3
-	-	-	1-455888-3	SPACER, CRIMPER	2
-	-	-	1-456406-5	CRIMPER, WIRE PREMIUM	1



QTY	U/M	PART NO	DESCRIPTION	ITEM NO
-	-	693855-1	FRONT STRIP GUIDE	95
-	-	2-354779-5	PIN, WIRE DISC, .3115	128
-	-	1-354779-5	PIN, WIRE DISC, .3065	127
-	-	354779-9	PIN, WIRE DISC, .3035	126
-	-	21055-5	WASHER, FLAT, REG NO 6	119
-	-	REF	GUARD WINDOW	116
-	-	455749-1	GUARD WINDOW	116

DIMENSIONS: INCHES 	TOLERANCES UNLESS OTHERWISE SPECIFIED: 9 PLC ±.001 1 PLC ±.001 5 PLC ±.001 4 PLC ±.0001 ANGLES ±.0001	DWN: R. KNEPPER 03APR2008 CHK: G. BALLEW 07MAY2008 APVD: M. DEMING 03APR2008 NAME: SIDE FEED HDM APPLICATOR PRODUCT SPEC: - APPLICATION SPEC: - WEIGHT: - CUSTOMER DRAWING: -	Tyco Electronics Harrisburg, PA 17105-3608 SIZE: A1 CAGE CODE: 00779 DRAWING NO: 1852667 SCALE: 3:5 SHEET: 1 OF 1 REV: A
------------------------	--	--	---

CUSTOMER VIEWABLE ASSEMBLY