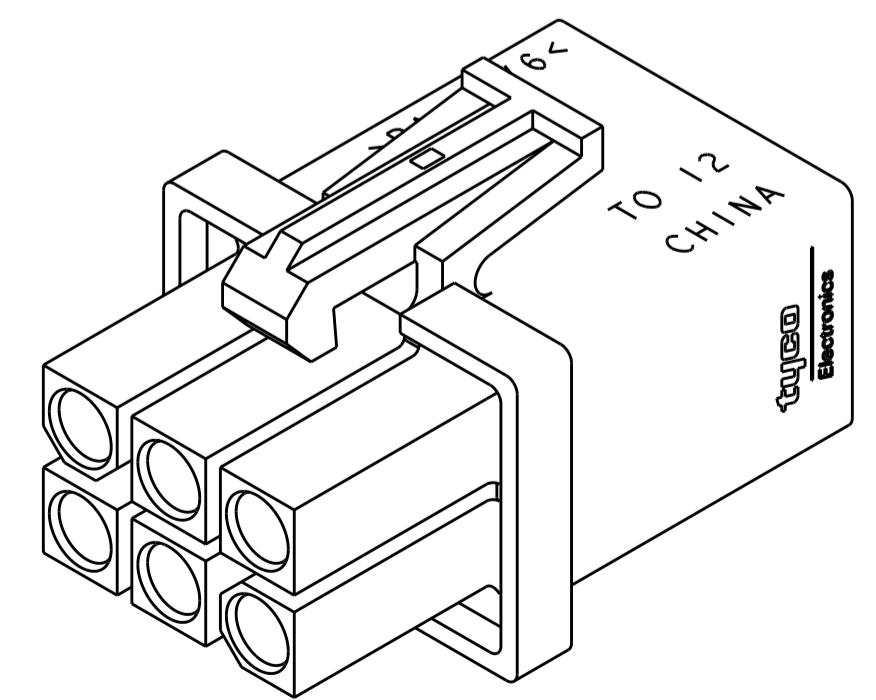
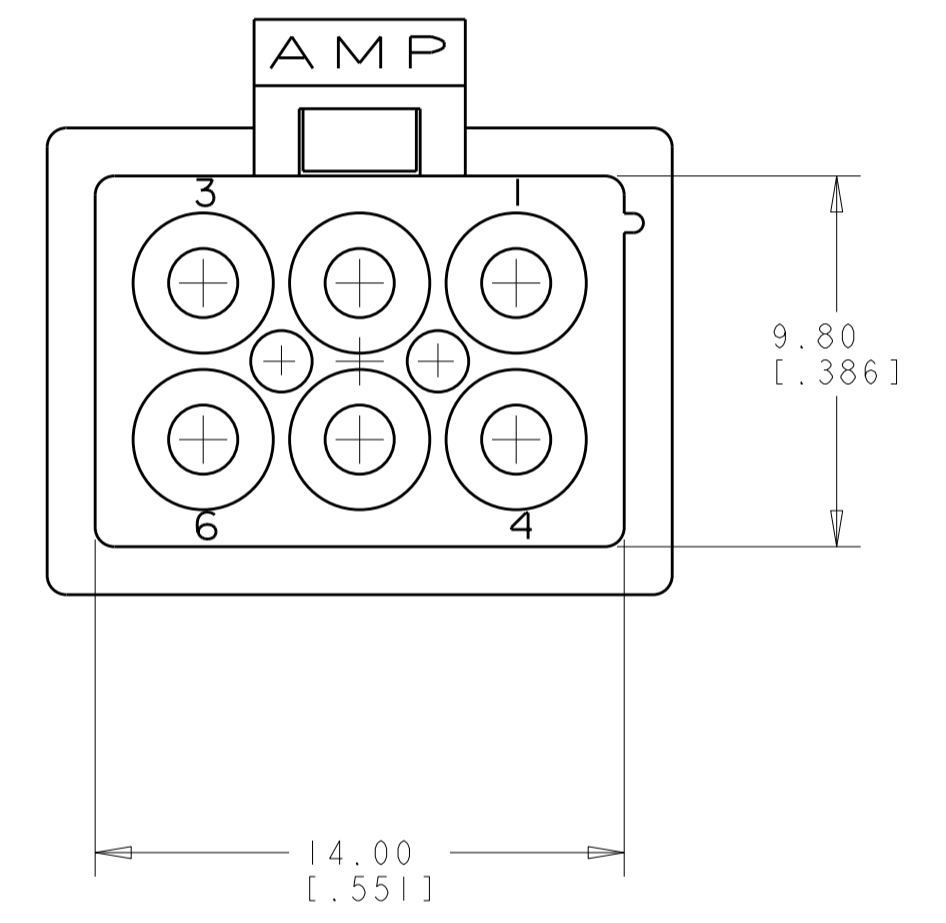
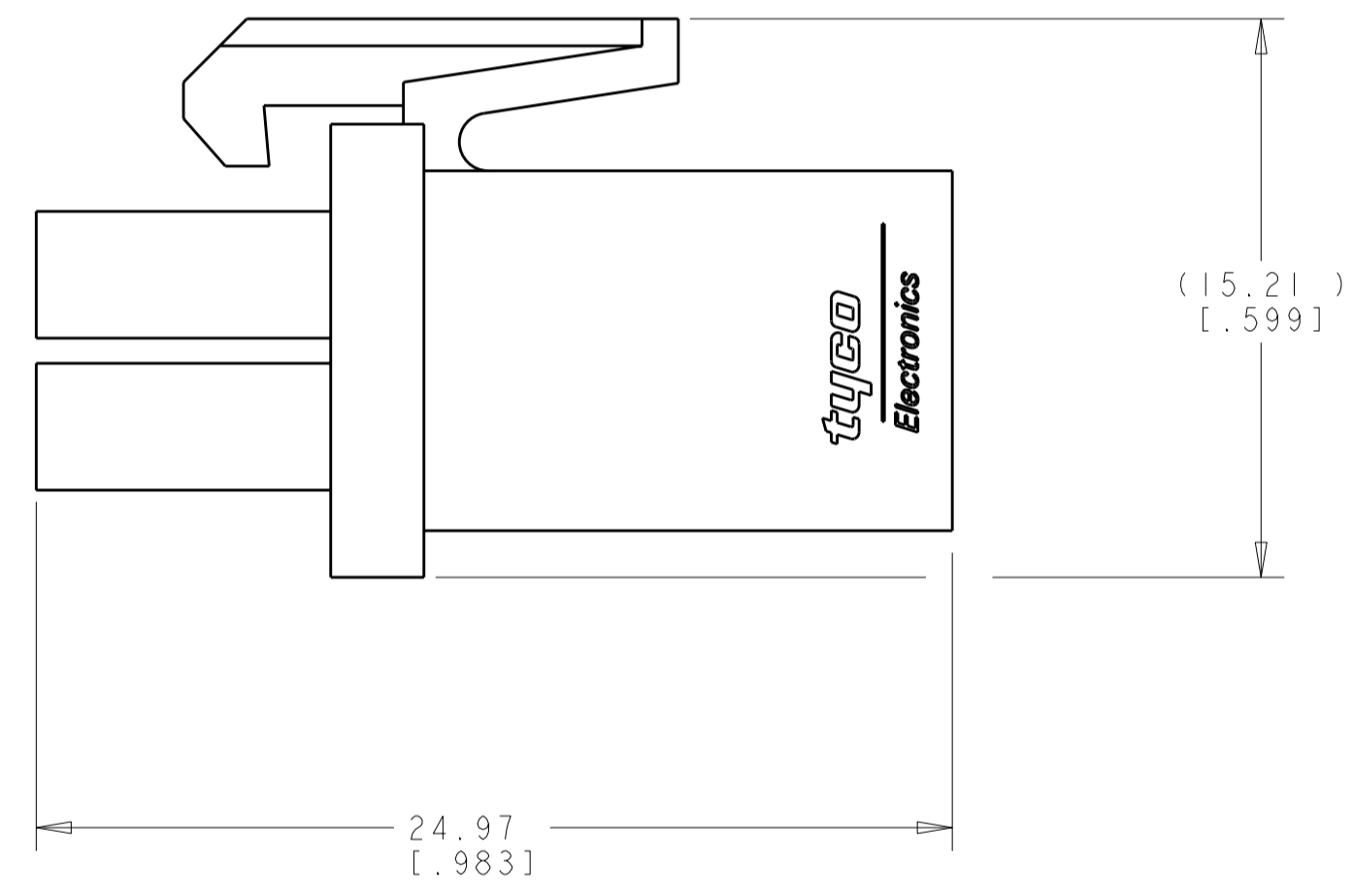
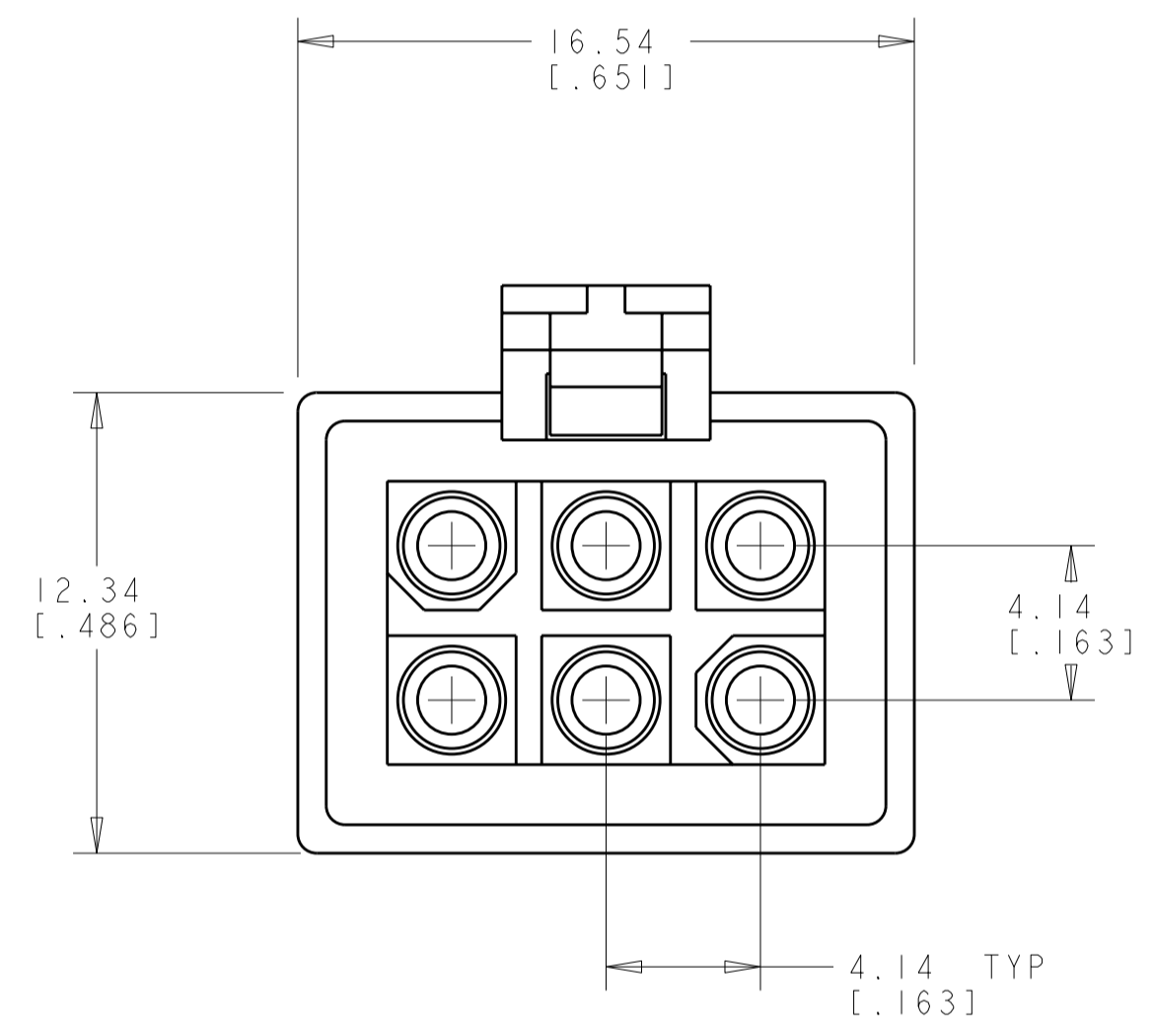


THIS DRAWING IS UNPUBLISHED. RELEASED FOR PUBLICATION 20
 © COPYRIGHT 20 BY - ALL RIGHTS RESERVED.

LOC	DIST	REVISIONS					
CM	00	P	LTR	DESCRIPTION	DATE	DWN	APVD
			BI	REVISED PER ECO-11-005027	14MAR2011	RK	HMR

1. DIMENSIONS IN BRACKETS ARE IN INCHES.



3 DIMENSIONAL MODEL
SCALE 4:1

METRIC

794895-1
PART NUMBER

THIS DRAWING IS A CONTROLLED DOCUMENT.		DWN K. WHITAKER 11-FEB-2001	TE Connectivity	
DIMENSIONS: mm [INCHES]		CHK C. JONES 11-FEB-2001		
TOLERANCES UNLESS OTHERWISE SPECIFIED:		APVD C. JONES 11-FEB-2001	NAME PLUG, 6 CIRCUIT, MINI UNIVERSAL MATE-N-LOK(TM)	
0 PLC ±- 1 PLC ±- 2 PLC ±013 [.005] 3 PLC ±- 4 PLC ±- ANGLES ±0° 30' FINISH		PRODUCT SPEC -	SIZE A200779C-794895	
MATERIAL NYLON, UL 94V-0, WHITE		APPLICATION SPEC -	DRAWING NO 794895	
		WEIGHT -	RESTRICTED TO -	
		CUSTOMER DRAWING	SCALE 5:1 SHEET 1 OF 1 REV BI	