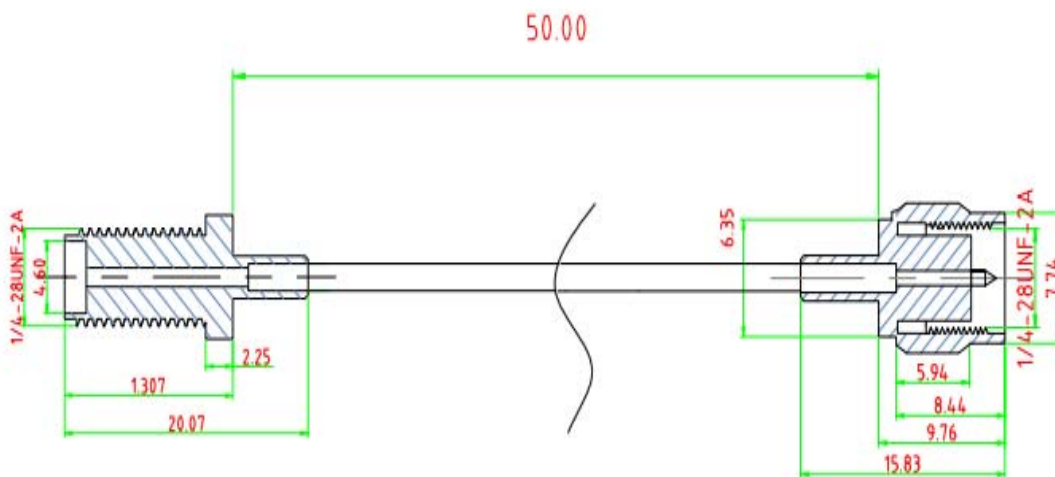


**50cm SMA male to SMA female RF pigtail coaxial cable RG316
model:AC-S01BH-S01SP-316-50**

Category	Pigtail cable
Series	Between Series SMA-SMA
Convert From (Adapter End)	SMA Plug, male Pin
Convert To (Adapter End)	SMA Jack, female Pin
Impedance	50 Ohm
Plating	Goldplated
cable type	RG316
Cable length	50cm
Frequency	DC~3GHZ
V.A.W.R(Max)	1.20:1
RoHs	Compliance



PHYSICAL PROPERTIES

	Material	Diameter(mm)
1. Inner conductor	SCCS	7*0.175
2. Insulation	PTFE	1.52
3. Outer conductor	1 : SC	1.95
4. Jacket	FEP	2.50

ELECTRICAL PROPERTIES

Nom. Capacitance Conductor to Shield(pF/m)	96.5
Nom. Characteristic Impedance(ohm)	50
Nom. Velocity of Propagation(%)	70
Min. Bend Radius(Install)(mm)	13
Voltage Rating(VMS)	1200
Max. Operating Frequency(MHz)	3000

Max. Operating Frequency(MHz)	3000
Operating Temperature Rating(°C)	-55~+200

Nom. Attenuation

Frequency(MHz)	Nom. Attenuation(± dB/m)
100	0.262
400	0.531
1000	0.856
3000	1.532