

FEATURES

- ▶ Screw terminals
- ▶ Available in easy to read RED, BLUE or GREEN LED
- ▶ Self Powered



SPECIFICATIONS

DISPLAY

Numeral Size: .37" (9.4 mm)
 Overrange: three lower order digits blank
 Supply Voltage: self powered

INPUTS

Input Ranges: see ordering info

PERFORMANCE

Accuracy: 1% scale (Typ) 2% (Max)
 Sampling Rate: 2.5 per second

ENVIRONMENT

Operating Temperature: -10 to 50 °C
 Max Humidity: 95% (non-condensing)

CONNECTION

2 screw terminals

ORDERING INFO

PART NUMBER	METER COLOR	METER INPUT
DLA20-DCM-R-0	RED	+4.50 to +19.99V
DLA20-DCM-B-0	BLUE	+4.50 to +19.99V
DLA20-DCM-G-0	GREEN	+4.50 to +19.99V
DLA20-DCM-R-1	RED	+8.0 to +50.0V
DLA20-DCM-B-1	BLUE	+8.0 to +50.0V
DLA20-DCM-G-1	GREEN	+8.0 to +50.0V
DLA20-DCM-R-2	RED	+30 to +264V
DLA20-DCM-B-2	BLUE	+30 to +264V
DLA20-DCM-G-2	GREEN	+30 to +264V

ACCESSORIES INCLUDED

DLA-BEZ-20-G Bezel Assembly



Specifications Installation and Operating Instructions
LED Digital Panel Meters

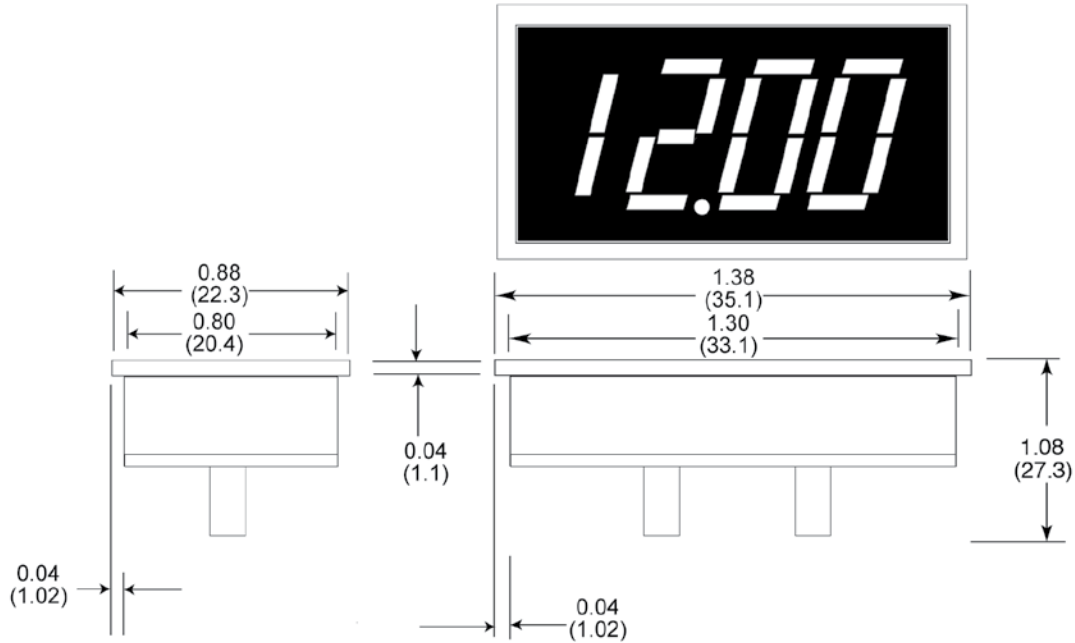
DLA20-DCM



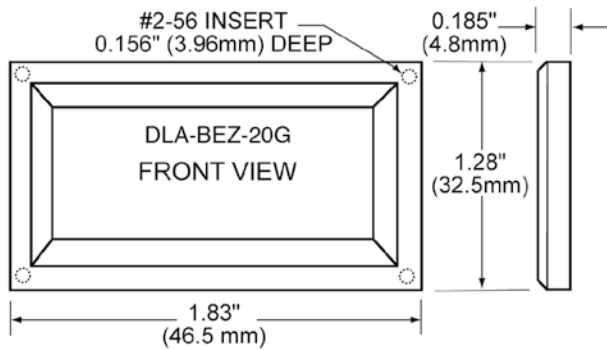
Self Powered, Positive Input LED Display, DC Voltage

DIMENSIONS

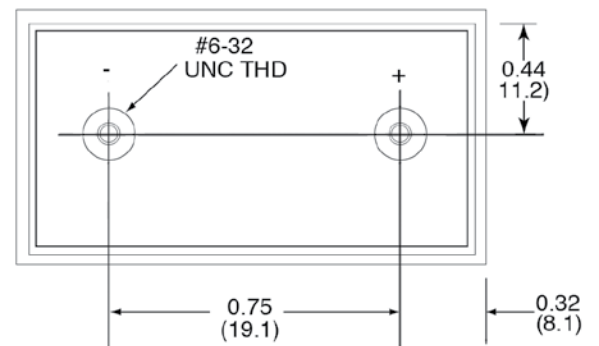
FRONT VIEW



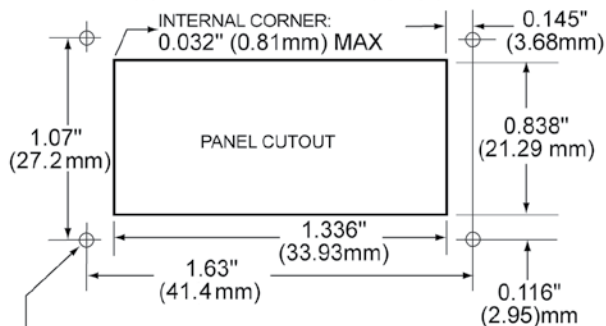
BEZEL ASSEMBLY



BACK VIEW



RECOMMENDED PANEL CUTOUT



0.093 (2.362) DIAMETER (4 REQUIRED)
 ONLY WHEN USING BEZEL ASSEMBLY