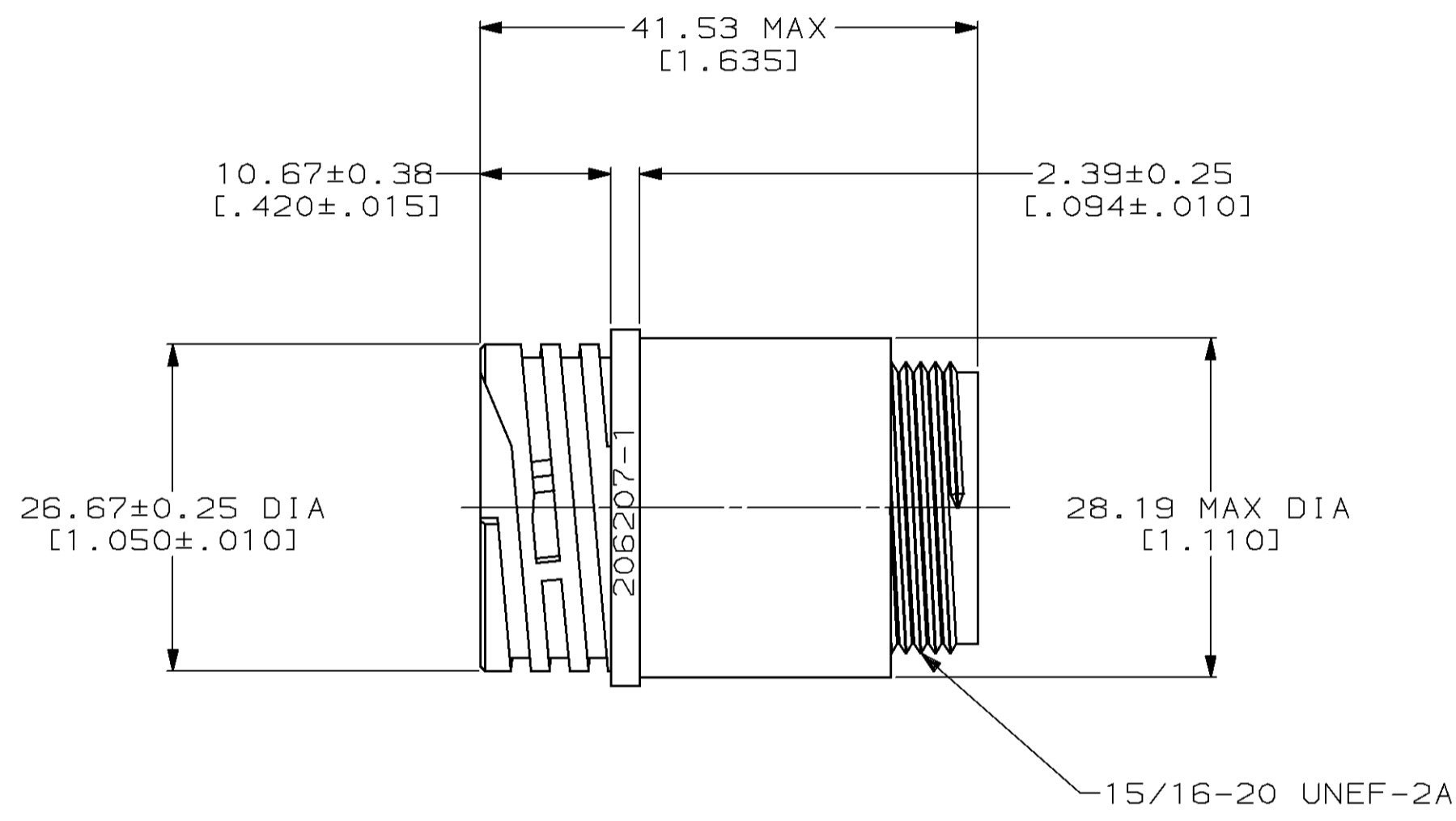
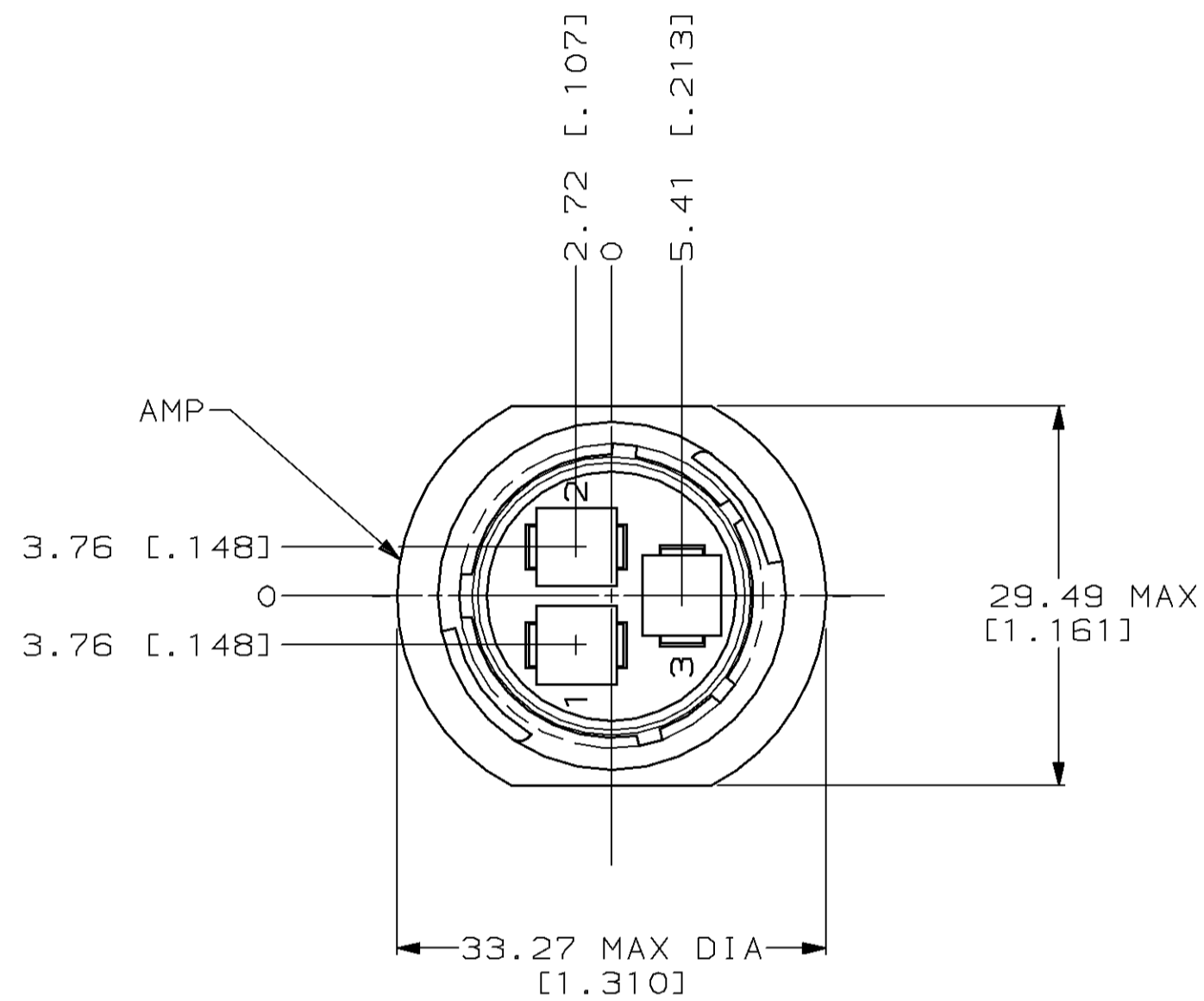


THIS DRAWING IS UNPUBLISHED. RELEASED FOR PUBLICATION, 19 .
 © COPYRIGHT 19 BY AMP INCORPORATED. ALL INTERNATIONAL RIGHTS RESERVED.

MOD	LOC	DIST	P	F	ZONE	LTR	DESCRIPTION	DATE	APPD
4	BD	35				G	REDRAWN W/O CHANGE PER EC 0020-569-94	06/01/94	-



1. CAVITY IDENTIFICATION ON FRONT AND REAR FACE.
2. WILL ACCEPT THREE (3) TYPE XII PIN CONTACTS.

		206207-1	
		PART NO	
DO NOT SCALE PRINT. UNLESS SPECIFIED DIMENSIONS IN mm [INCHES] TOLERANCES ON : 2 PLC DEC ±0.13 [.005] 3 PLC DEC ± - ANGLES ± -		AMP AMP Incorporated Harrisburg, PA 17105-3608	
MATERIAL NYLON, BLACK		NAME RCPT HSG, STANDARD SEX, SHELL SIZE 17, CPC	
FINISH -		SIZE C 00779	
DR 06/01/94 D.HARDY CHK 06/08/94 W.G.LENKER APPD 07/13/94 A.FRANTUM APPD 07/13/94 A.FRANTUM PRODUCT SPEC -		DRAWING NO G=206207	
APPLICATION SPEC -		SCALE 2:1	
WEIGHT -		SHEET 1 OF 1	

THIS DRAWING IS A CONTROLLED DOCUMENT FOR AMP INCORPORATED. IT IS SUBJECT TO CHANGE AND THE CONTROLLING ENGINEERING ORGANIZATION SHOULD BE CONTACTED FOR THE LATEST REVISION.