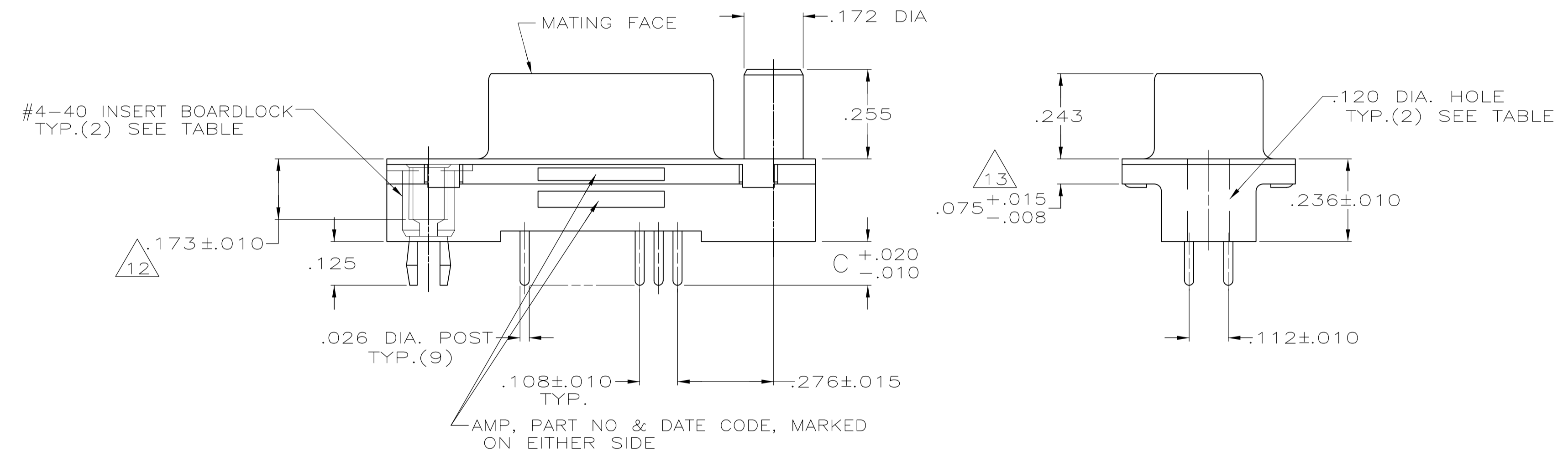
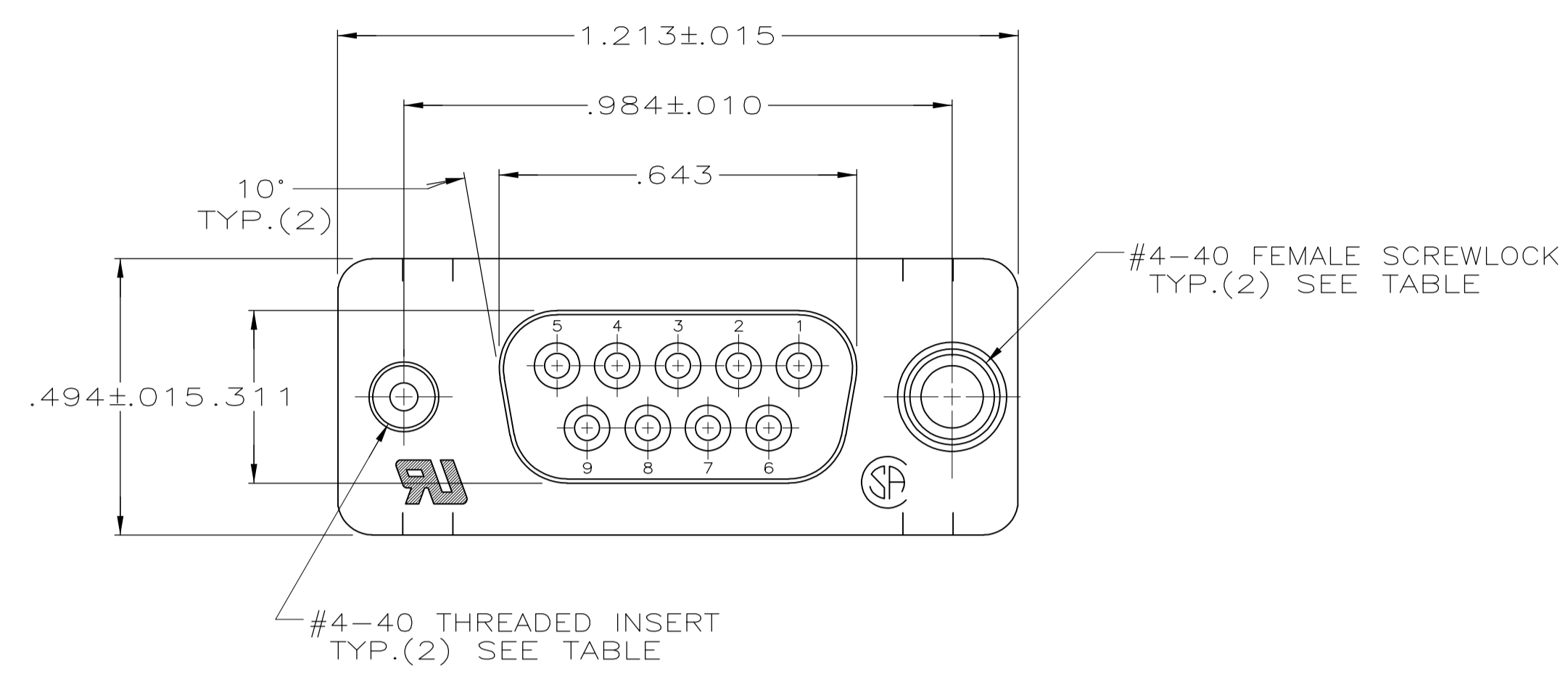
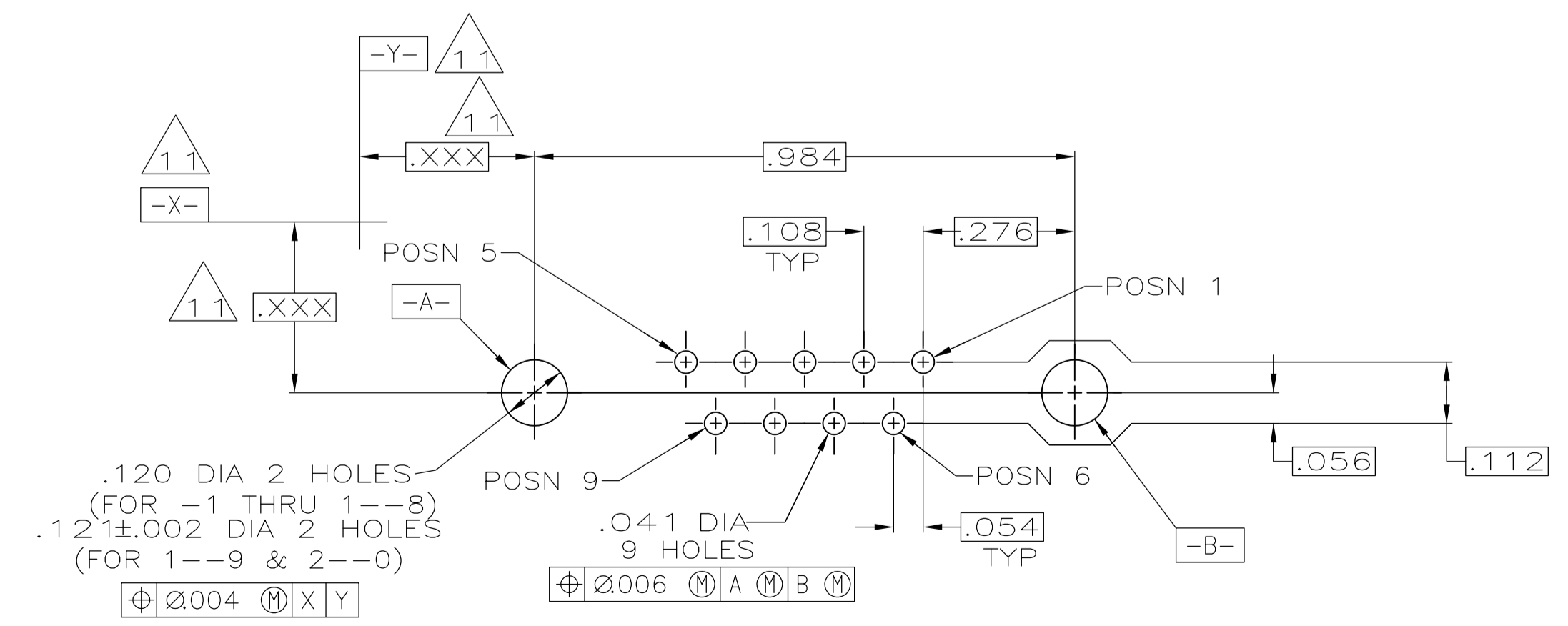


REVISIONS				
P	LTR	DESCRIPTION	DATE	BY
K		REVISED PER ECO-16-001548	24FEB2016	AP DG



- 1 HOUSING: FLAME RETARDANT 94V-0 RATED THERMOPLASTIC; COLOR: BLACK.
- 2 SHELL: CARBON STEEL.
- 3 CONTACTS: PHOS. BRONZE.
- 4 INSERTS & BOARDLOCKS: BRASS, SCREWLOCKS: ZINC.
- 5. NOTE DELETED.
- 6 SHELL: .000200 MIN TIN OVER .000100 COPPER.
- 7 INSERTS & SCREWLOCKS: UNPLATED, BOARDLOCKS: TIN OVER COPPER.
- 8 CONTACTS: GOLD FLASH FOR LENGTH OF .100 MIN FROM MATING END, .000100-.000200 BRIGHT TIN OR BRIGHT TIN LEAD ON TERMINATION END, ALL OVER .000050 NICKEL ON ENTIRE CONTACT.
- 9 CONTACTS: .000030 GOLD FOR LENGTH OF .100 MIN FROM MATING END, .000100-.000200 BRIGHT TIN OR BRIGHT TIN LEAD ON TERMINATION END, ALL OVER .000050 NICKEL ON ENTIRE CONTACT.
- 10. NOTE DELETED.
- 11 DATUMS AND BASIC DIMENSIONS ESTABLISHED BY CUSTOMER.
- 12 RECOMMENDED SCREWLOCK IS 5747877-3 WITH RETENTION INSERTS.
- 13 .110 MAX IN SHELL TAB CLINCH AREAS.



PC BOARD MOUNTING DIMENSIONS
CONNECTOR SIDE OF BOARD
.062 PC BOARD THICKNESS

REMARKS	CONTACT FINISH	C	PART NUMBER
WITH INSERT BOARDLOCKS	9	.125	2-747706-0
OBSOLETE	8	.125	1-747706-9
OBSOLETE	9	.250	1-747706-8
OBSOLETE	8	.250	1-747706-7
OBSOLETE	9	.170	1-747706-6
OBSOLETE	8	.170	1-747706-5
OBSOLETE	9	.125	1-747706-4
OBSOLETE	8	.125	1-747706-3
OBSOLETE	9	.250	1-747706-2
OBSOLETE	8	.250	1-747706-1
OBSOLETE	9	.170	1-747706-0
OBSOLETE	8	.170	747706-9
OBSOLETE	9	.125	747706-8
OBSOLETE	8	.125	747706-7
OBSOLETE	9	.250	747706-6
OBSOLETE	8	.250	747706-5
OBSOLETE	9	.170	747706-4
OBSOLETE	8	.170	747706-3
OBSOLETE	9	.125	747706-2
OBSOLETE	8	.125	747706-1

THIS DRAWING IS A CONTROLLED DOCUMENT.

DIMENSIONS: INCHES	TOLERANCES UNLESS OTHERWISE SPECIFIED:	DWG: S. WELDON 2-27-85	REV: J. GERACE 2-27-85
0. PLC ± -	1. PLC ± -	APVD: R. REAR/R. BRANDT 2-27-85	NAME: RECPTACLE ASSEMBLY, SIZE 1, 9 POS., VERTICAL, .026 DIA. DUPLEX PLATED
2. PLC ± -	3. PLC ± .005	PRODUCT SPEC: 108-40025	APPLICATION SPEC: 114-40023
4. PLC ± -	ANGLES ± °	SIZE: A1	CAGE CODE: 00779
MATERIAL: 1 2 3 4	FINISH: 6 7 8 9	WEIGHT: -	DRAWING NO: 747706

STE TE Connectivity

CUSTOMER DRAWING SCALE: NTS SHEET 1 OF 1 REV: K