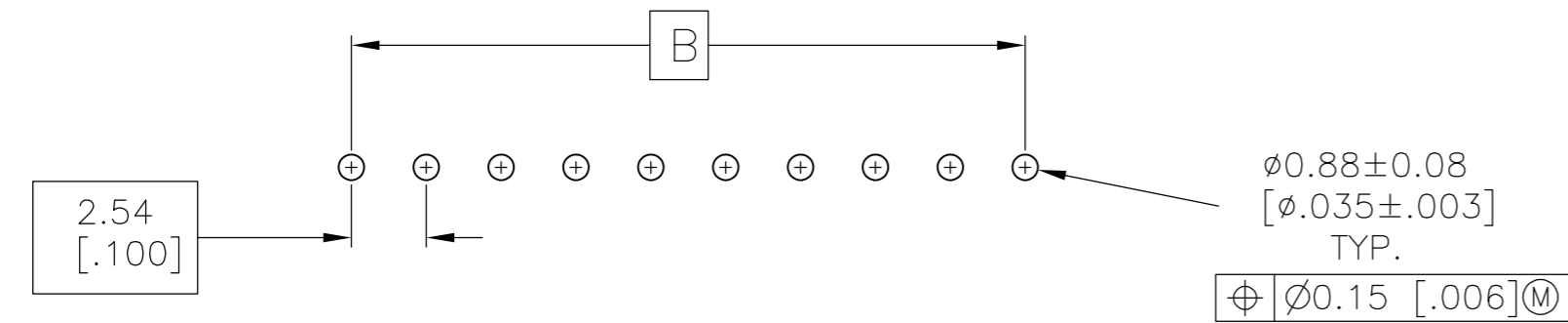
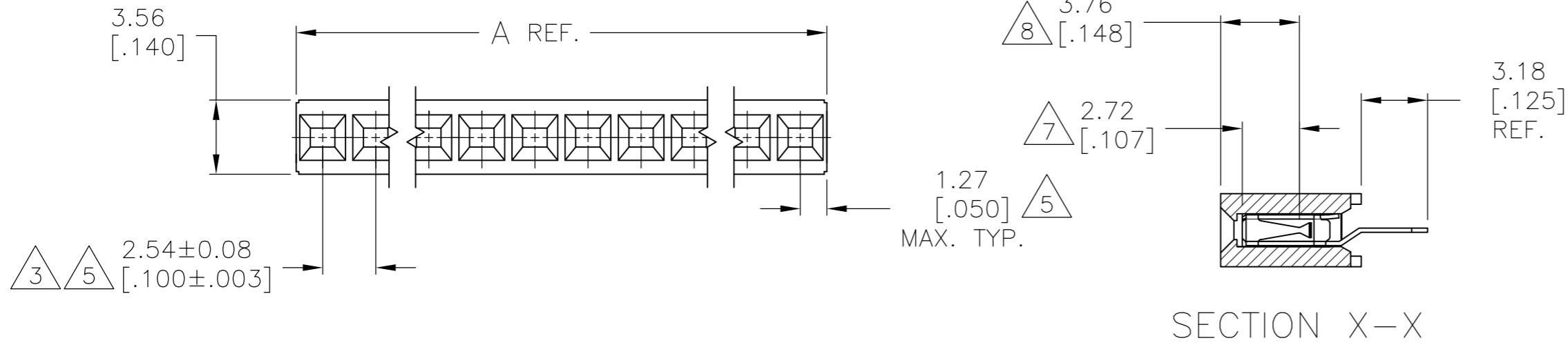
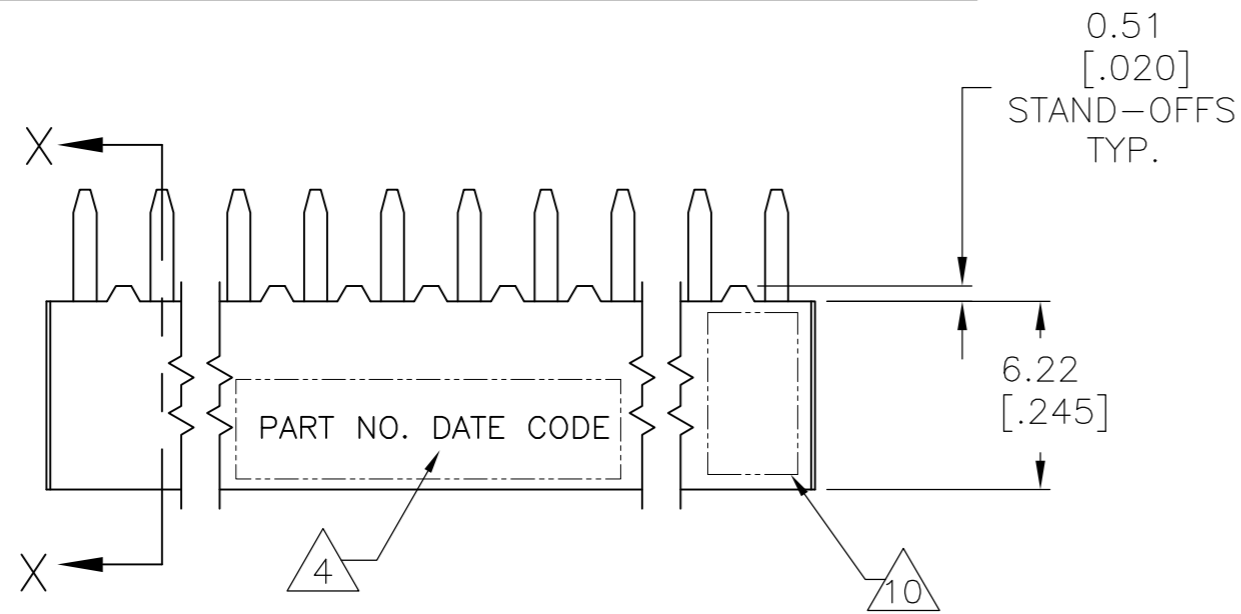


THIS DRAWING IS UNPUBLISHED. RELEASED FOR PUBLICATION  
 © COPYRIGHT - By - ALL RIGHTS RESERVED.

LOC	DIST	REVISIONS					
		P	LTR	DESCRIPTION	DATE	DWN	APVD
AD	00	L5		REVISED PER ECO-13-005565	29MAR13	KH	JO



RECOMMENDED PCB LAYOUT

- 1 HOUSING: FLAME RETARDANT, GLASS FILLED, POLYESTER, COLOR: BLACK. CONTACT: PHOSPHOR BRONZE
- 2 CONTACT: DUPLEX PLATED 0.25µm [.000010] MIN GOLD IN CONTACT AREA, 3.81-7.62µm [.000150-.000300] BRIGHT TIN-LEAD ON LEADS ALL OVER 1.27µm [.000050] NICKEL
- 3 THESE DIMENSIONS PERTAIN TO CAVITY CENTERLINES ONLY - NOT TO CONTACT LOCATIONS
- 4 MARK PART NUMBER AND DATE CODE IN APPROXIMATE LOCATION SHOWN, EITHER SIDE.
- 5 TOLERANCE IS NON-CUMULATIVE.
- 6 2 POSITION DATE CODE IS MARKED OPPOSITE SIDE OF TE CONNECTIVITY LOGO.
- 7 POINT-OF-MEASUREMENT DIMENSION FOR PLATING THICKNESS (INSIDE CONTACT BEAM).
- 8 POINT-OF-CONTACT DIMENSION.
- 9 NO PART NUMBER MARKING REQUIRED FOR THIS PART.
- 10 TE CONNECTIVITY LOGO AND CSA LOGO ARE MOLDED INTO HOUSING.
- 11 CONTACT: DUPLEX PLATED 0.25µm [.000010] MIN GOLD IN CONTACT AREA, 3.81-7.62µm [.000150-.000300] MATTE TIN ON LEADS, ALL OVER 1.27µm [.000050] MIN. NICKEL.
- 12 ROHS 2002/95/EC COMPLIANT

NO	FINISH	NO OF POSN	SIZE	CAGE CODE	DRAWING NO	PART NUMBER
OBSOLETE						
						3-146138-9
						3-146138-8
						3-146138-7
						3-146138-6
						3-146138-5
						3-146138-4
						3-146138-3
						3-146138-2
						3-146138-1
						3-146138-0
						2-146138-9
						2-146138-8
						2-146138-7
						2-146138-6
						2-146138-5
						2-146138-4
						2-146138-3
						2-146138-2
						2-146138-1
						2-146138-0
						1-146138-9
						1-146138-8
						1-146138-7
						1-146138-6
						1-146138-5
						1-146138-4
						1-146138-3
						1-146138-2
						1-146138-1
						146138-9
						146138-8
						146138-7
						146138-6
						146138-5
						146138-4
						146138-3
						146138-2
						146138-1


THIS DRAWING IS A CONTROLLED DOCUMENT.		DWN M.BINNER 05NOV02	TE Connectivity RECPT. ASSY., MOD IV, SINGLE ROW, .100 CL., VERTICAL BOARD MOUNT, CLOSED, TOP ENTRY, SHORT PNT. OF CONTACT	
DIMENSIONS: mm [INCHES]		CHK J.OLSON 05NOV02		
TOLERANCES UNLESS OTHERWISE SPECIFIED:		APVD J.OLSON 05NOV02	NAME	
0 PLC ± -		PRODUCT SPEC	108-25022	
1 PLC ± -		APPLICATION SPEC	114-25018	
2 PLC ± 0.25 [.010]		WEIGHT	-	
3 PLC ± 0.13 [.005]		CUSTOMER DRAWING	SCALE 4:1 SHEET 1 OF 2 REV L5	
4 PLC ± -				
ANGLES ± -				
FINISH				
MATERIAL 1				
2				
11				

THIS DRAWING IS UNPUBLISHED. RELEASED FOR PUBLICATION  
 © COPYRIGHT - By - ALL RIGHTS RESERVED.

LOC	DIST	REVISIONS			
P	LTR	DESCRIPTION	DATE	DWN	APVD
-	-	SEE SHEET 1	-	-	-

OBSOLETE	11	2.54 [.100]	5.08 [.200]	2	12	6	9	8-146138-9
	11	96.52 [3.800]	99.06 [3.900]	39	12			8-146138-8
	11	93.98 [3.700]	96.52 [3.800]	38	12			8-146138-7
	11	91.44 [3.600]	93.98 [3.700]	37	12			8-146138-6
	11	88.90 [3.500]	91.44 [3.600]	36	12			8-146138-5
	11	86.36 [3.400]	88.90 [3.500]	35	12			8-146138-4
	11	83.82 [3.300]	86.36 [3.400]	34	12			8-146138-3
	11	81.28 [3.200]	83.82 [3.300]	33	12			8-146138-2
	11	78.74 [3.100]	81.28 [3.200]	32	12			8-146138-1
	11	71.12 [2.800]	73.66 [2.900]	29	12			8-146138-0
	11	68.58 [2.700]	71.12 [2.800]	28	12			7-146138-9
	11	66.04 [2.600]	68.58 [2.700]	27	12			7-146138-8
	11	63.50 [2.500]	66.04 [2.600]	26	12			7-146138-7
	11	60.96 [2.400]	63.50 [2.500]	25	12			7-146138-6
	11	58.42 [2.300]	60.96 [2.400]	24	12			7-146138-5
	11	55.88 [2.200]	58.42 [2.300]	23	12			7-146138-4
	11	53.34 [2.100]	55.88 [2.200]	22	12			7-146138-3
	11	50.80 [2.000]	53.34 [2.100]	21	12			7-146138-2
	11	76.20 [3.000]	78.74 [3.100]	31	12			7-146138-1
	11	99.06 [3.900]	101.60 [4.000]	40	12			7-146138-0
	11	73.66 [2.900]	76.20 [3.000]	30	12			6-146138-9
	11	48.26 [1.900]	50.80 [2.000]	20	12			6-146138-8
	11	45.72 [1.800]	48.26 [1.900]	19	12			6-146138-7
	11	43.18 [1.700]	45.72 [1.800]	18	12			6-146138-6
	11	40.64 [1.600]	43.18 [1.700]	17	12			6-146138-5
	11	38.10 [1.500]	40.64 [1.600]	16	12			6-146138-4
	11	35.56 [1.400]	38.10 [1.500]	15	12			6-146138-3
	11	33.02 [1.300]	35.56 [1.400]	14	12			6-146138-2
	11	30.48 [1.200]	33.02 [1.300]	13	12			6-146138-1
	11	27.94 [1.100]	30.48 [1.200]	12	12			6-146138-0
	11	25.40 [1.000]	27.94 [1.100]	11	12			5-146138-9
	11	22.86 [.900]	25.40 [1.000]	10	12			5-146138-8
	11	20.32 [.800]	22.86 [.900]	9	12			5-146138-7
	11	17.78 [.700]	20.32 [.800]	8	12			5-146138-6
	11	15.24 [.600]	17.78 [.700]	7	12			5-146138-5
	11	12.70 [.500]	15.24 [.600]	6	12			5-146138-4
9	11	10.16 [.400]	12.70 [.500]	5	12			5-146138-3
9	11	7.62 [.300]	10.16 [.400]	4	12			5-146138-2
9	11	5.08 [.200]	7.62 [.300]	3	12			5-146138-1

FINISH B A NO OF POSN PART NUMBER

THIS DRAWING IS A CONTROLLED DOCUMENT.		DWN M.BINNER 05NOV02	 TE Connectivity	
DIMENSIONS: mm [INCHES]		CHK J.OLSON 05NOV02		
TOLERANCES UNLESS OTHERWISE SPECIFIED:		APVD J.OLSON 05NOV02	NAME RECPT.ASSY, MOD IV, SINGLE ROW, .100CL, VERTICAL BOARD MOUNT, CLOSED, TOP ENTRY, SHORT PNT. OF CONTACT	
0 PLC ± - 1 PLC ± - 2 PLC ± 0.25[.010] 3 PLC ± 0.13[.005] 4 PLC ± - ANGLES ± -		PRODUCT SPEC 108-25022	RESTRICTED TO	
MATERIAL		APPLICATION SPEC 114-25018	SIZE A2	CAGE CODE 00779
FINISH		WEIGHT -	DRAWING NO C=146138	SCALE 4:1
		CUSTOMER DRAWING	SHEET 2 OF 2	REV L5