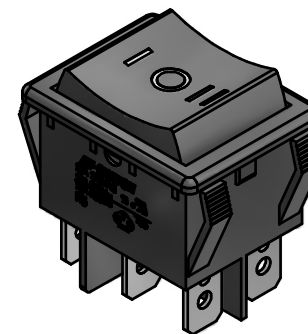
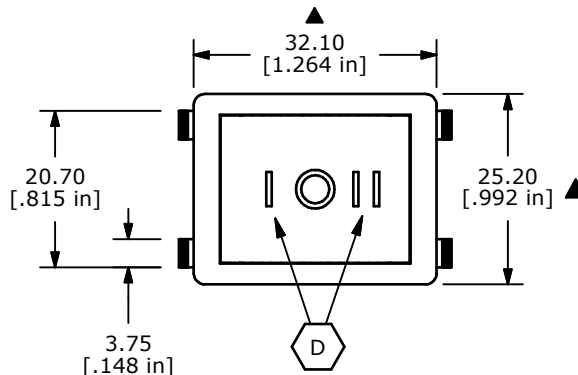
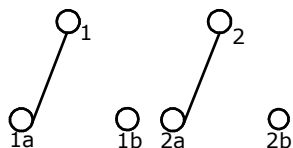


RECOMMENDED PANEL MOUNTING

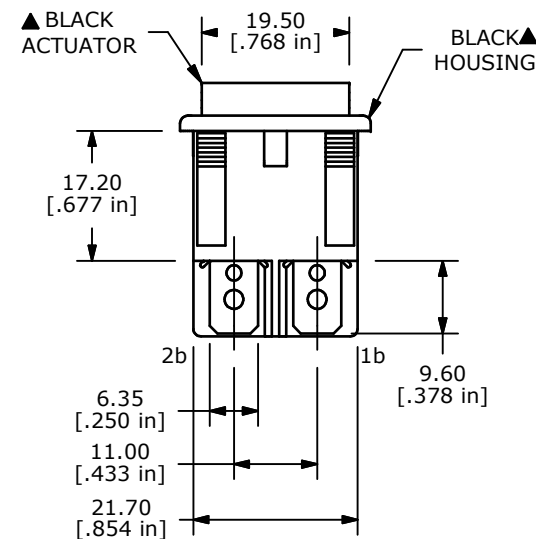
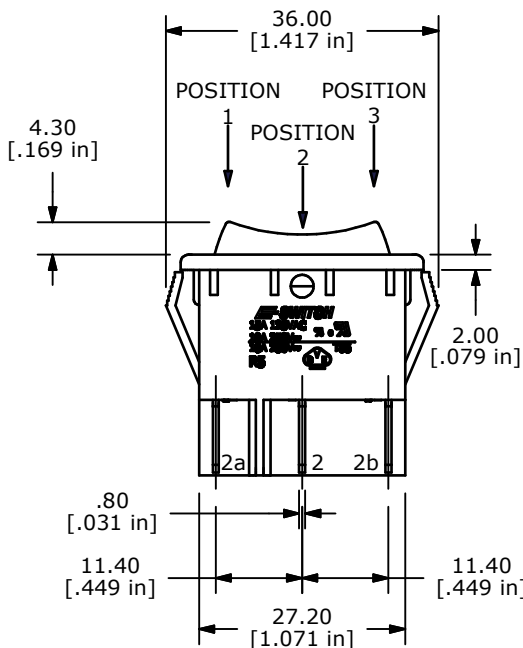
PANEL THICKNESS	X
0.75-1.25	30.0-30.2
1.25-2.00	30.2-30.4
2.00-3.00	30.6-30.8



C	SWITCH FUNCTION		
	POS. 1	POS. 2	POS. 3
	ON	OFF	(ON)
	1-1b, 2-2b	NONE	1-1a, 2-2a



CIRCUIT: DPDT



- NOTES:
- ALL DIMENSIONS IN MM [INCH]
 - GENERAL TOLERANCE: X.X=±0.4
X.XX=±0.25
 - TERM. NOS. FOR REF. ONLY
 - ▲ 4. RATING: 10A @250VAC UL APPROVED
15A @125VAC UL APPROVED
16A @250VAC VDE APPROVED
 - ELECTRICAL LIFE: 10,000 CYCLES
 - MECHANICAL LIFE: 30,000 CYCLES
 - CONTACT RESISTANCE: <20 MILLI-OHMS INITIAL
 - DIELECTRIC STRENGTH: >1,500V AC 1MIN
 - INSULATION RESISTANCE: >1000MOHMS
 - OPERATING TEMP: TERMINAL SIDE: -20°C to 85°C
ROCKER SIDE: -20°C to 55°C
 - ▲ DENOTES CRITICAL PARAMETER.
 - 2002/95/EC (ROHS) COMPLIANT

D	20952	CHANGE ACTUATOR ORIENTATION	1/7/13	EBP
C	19798	CORRECT SWITCH FUNCTION	03/29/11	BMA
B	19786	UPDATE DRAWING	03/22/11	BMA
A	19015	RELEASE FOR PRODUCTION	04/13/10	BLR
REV	PCR NO	DESCRIPTION	DATE	BY



TITLE R5IBLKBLKBF0

SCALE	DATE	DR	DWG	REV
1:1	4/13/2010	BLR	M050261	D

THE INFORMATION CONTAINED IN THIS DOCUMENT IS PROPRIETARY TO E-SWITCH AND IS NOT TO BE COPIED OR TRANSFERRED