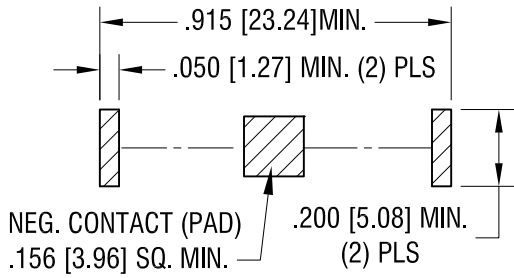
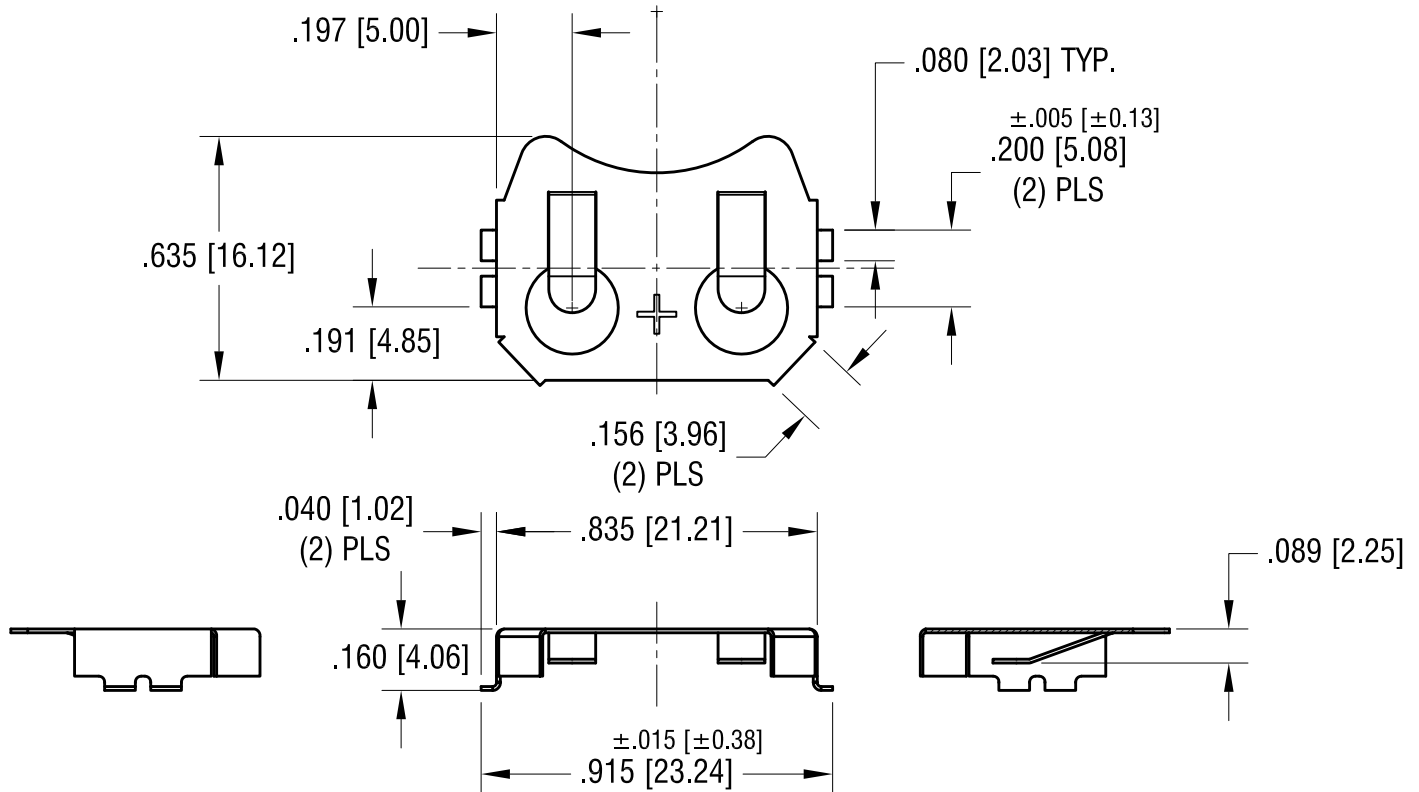
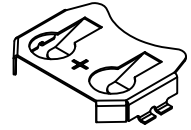


THIS DOCUMENT IS THE PROPERTY OF KEYSTONE ELECTRONICS CORP. AND SHALL NOT BE REPRODUCED, DISTRIBUTED OR USED AS A BASIS FOR MANUFACTURE WITHOUT PRIOR WRITTEN PERMISSION FROM KEYSTONE ELECTRONICS CORP.

MOUNTING PAD LAYOUT



ACTUAL SIZE



4.25.14	CHANGE AS PER ECN 14-045	C
6.16.11	CHANGE AS PER ECN 11-085	B
3.08.11	CHANGE AS PER ECN 11-032	A
DATE	DESCRIPTION	REV.

KEYSTONE ELECTRONICS CORP.			
www.keyelco.com • ASTORIA, N.Y. 11105-2017 • Tel (718) 956-8900			
PART NAME		COIN CELL RETAINER	
MATERIAL		.010 [0.25] PHOSPHOR BRONZE	
FINISH		DRN BY	DATE
NICKEL PLATE		NT	2.28.11
		APP'D	SCALE
		LN	2X
TOLERANCES	INCH [MM]	CODE	DWG NO.
DECIMAL	± .010 [± 0.25]	C	3034
ANGULAR	± 1°		
UNLESS OTHERWISE SPECIFIED			