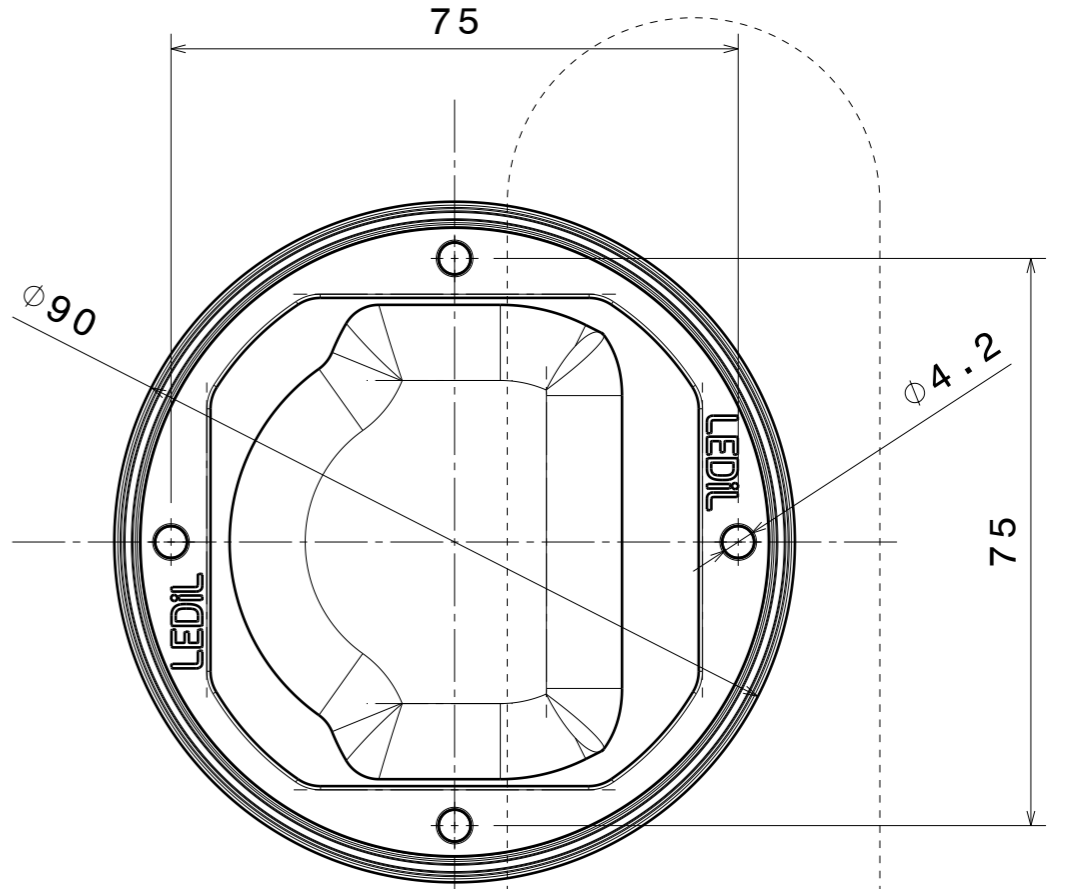
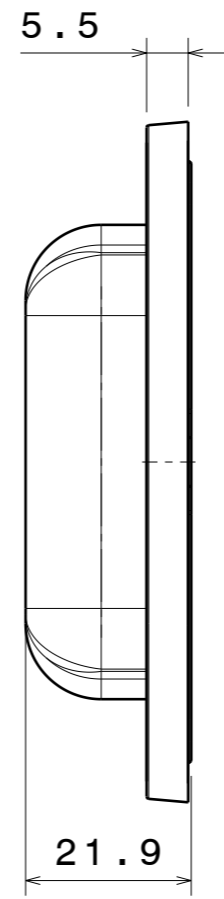
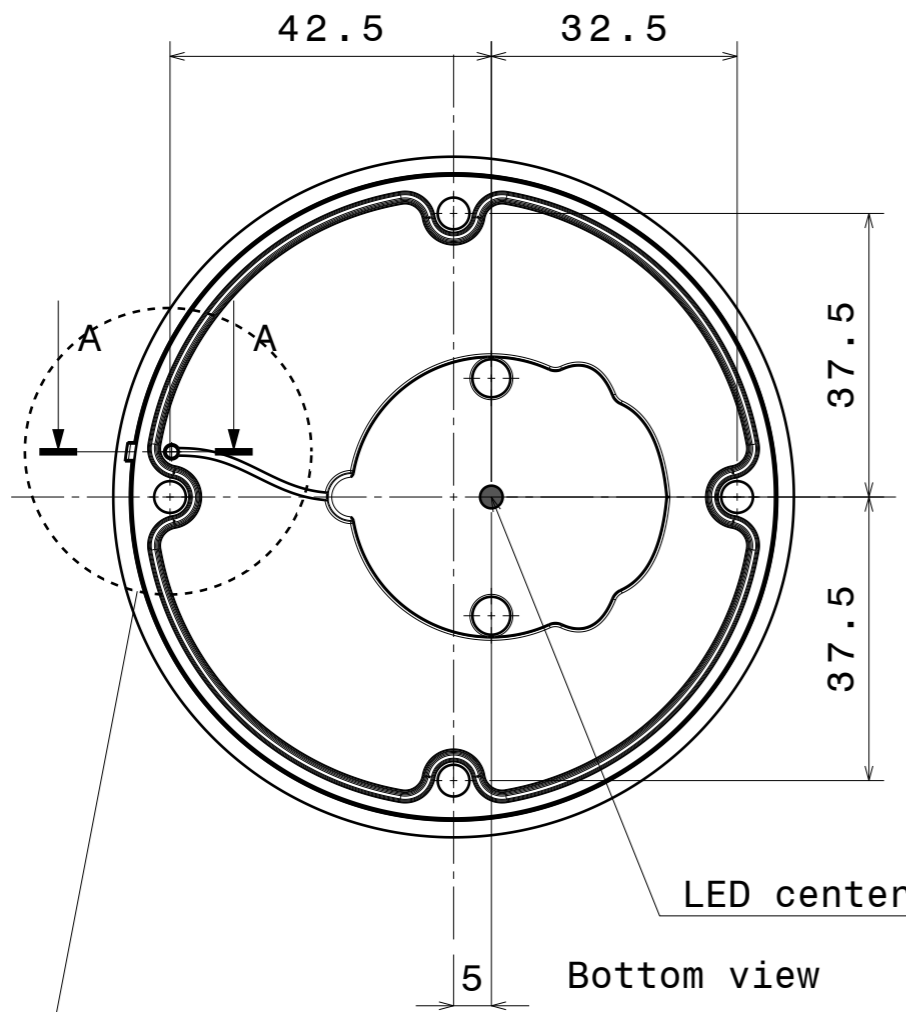


H G F E D C B A

NOTE: Maximum recommended tightening torque for STELLA-FRAME is 0,4Nm

Front view

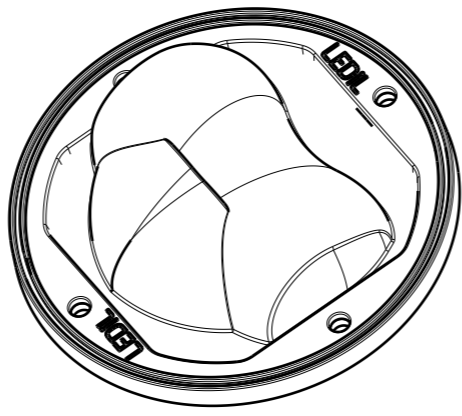


Top view

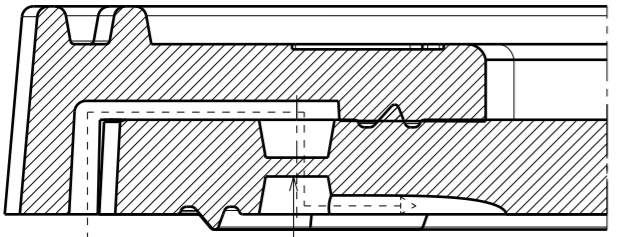
Light beam direction

Bottom view

Isometric view



Section view A-A
Scale: 5:1



Venting pipe:
Piercing this membrane
will Allow lens breathing

Lens material: Optical grade LSR
Frame material: PA, black

Tolerances if not otherwise shown
According to DIN ISO 2768-1
Linear measures: class V
Please note that due to the elasticity of
products made of silicone actual measured
values may vary, and therefore typical
tolerance values may not be applied.

LEDiL Ledil Oy
Salorankatu 10
FIN 24240 SALO
Finland

THIRD ANGLE PROJECTION:

DRAWING TITLE
STELLA-A datasheet

This drawing is the property
of LEDiL Oy. It may not be
reproduced, copied or
communicated without a written
agreement with LEDiL Oy."

SIZE	PART NUMBER		
A3	FN13323		

SCALE	1:1	WEIGHT	(g)	SHEET	1/1
-------	-----	--------	-----	-------	-----

H G F E D C B A