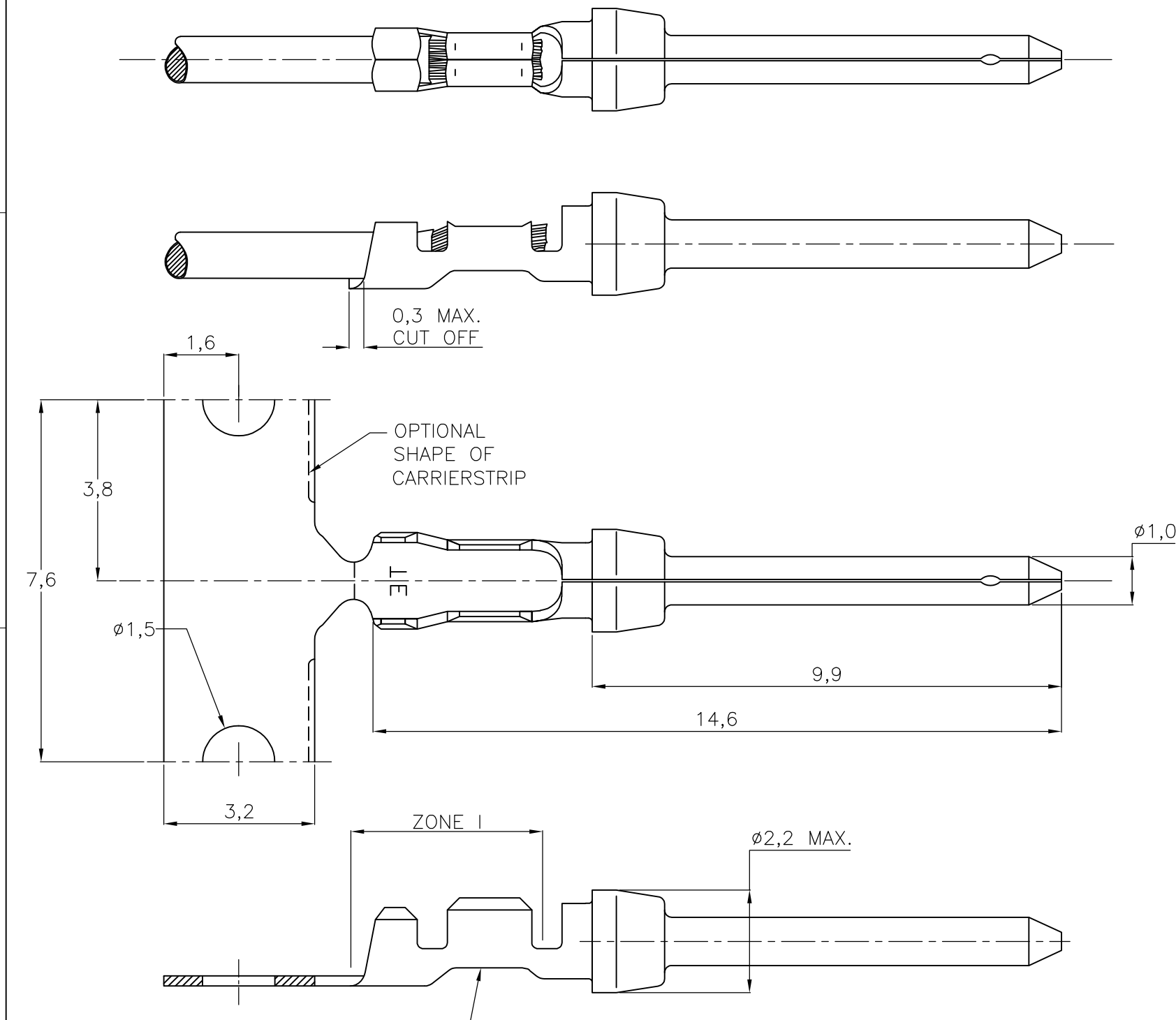


THIS DRAWING IS UNPUBLISHED. RELEASED FOR PUBLICATION  
 © COPYRIGHT - By - ALL RIGHTS RESERVED.

LOC	DIST	REVISIONS					
GP	00	P	LTR	DESCRIPTION	DATE	DWN	APVD
			Y	REVISED PER ECO-11-022158	07NOV2011	CJV	CWR



- NOTES:
- △1 FOR MINI-APPLICATOR-12500 PCS REEL.
  - △2 FOR REEL-FEED HAND TOOLING-500 PCS REEL.
  - △3 FOR HAND TOOLING- LOOSE PIECE.
  - 4. MATERIAL: BRASS.
  - △5 FINISH:
    - Ni UNDERPLATING ALL OVER.
    - CONTACT AREA PLATING MEETS IEC-807-3 PERFORMANCE LEVEL 2.
    - CRIMP ZONE Sn PLATED.

WIRE RANGE: 24-28 AWG(0,08-0,22mm<sup>2</sup>)  
 INSUL. RANGE: 0,76 - 1,02 mm DIA.

BLUE COLOR CODE  
 (LOOSE-PIECE ONLY)

THIS DRAWING IS A CONTROLLED DOCUMENT.

DIMENSIONS:	TOLERANCES UNLESS OTHERWISE SPECIFIED:
mm	
	0 PLC ± -
	1 PLC ± 0,127
	2 PLC ± -
	3 PLC ± -
	4 PLC ± -
	ANGLES ± -
MATERIAL	FINISH
-	-

△5	166294-1	5-166054-1	166054-1
FINISH	LOOSE PIECE △3	PART NUMBER △2	PART NUMBER △1
DWN	-	<b>STE</b> TE Connectivity	
CHK	09SEP08		
APVD	K. MALCZYK	NAME	
APVD	T. DE BOER	PIN CONTACT, SIZE 20 DF.	
PRODUCT SPEC	108-40005	-	
APPLICATION SPEC	114-10000	SIZE	RESTRICTED TO
WEIGHT	-	A3	-
CUSTOMER DRAWING		CAGE CODE	DRAWING NO
		00779	C-166054
		SCALE	SHEET
		NTS	1 OF 1
		REV	Y