

THIS DRAWING IS UNPUBLISHED.

RELEASED FOR PUBLICATION

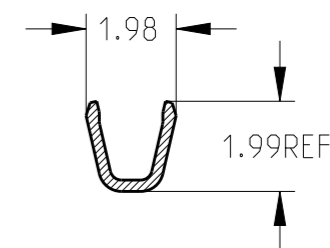
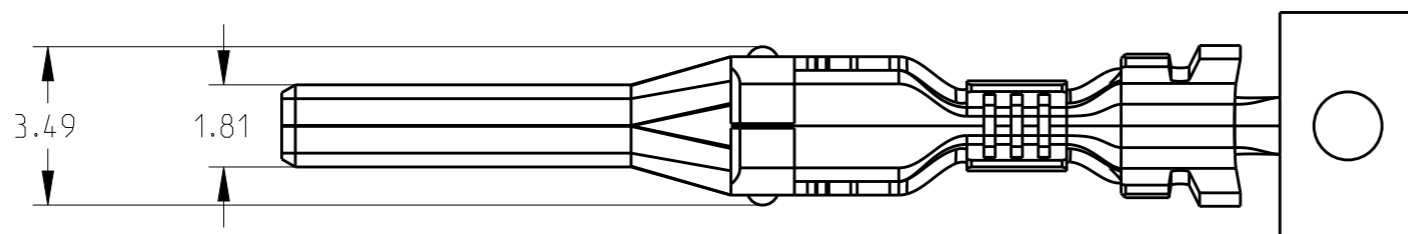
© COPYRIGHT 19 BY -

ALL RIGHTS RESERVED.

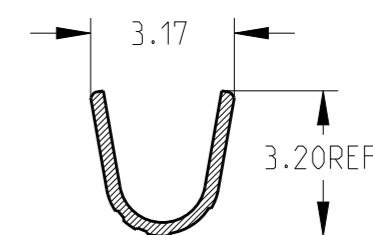
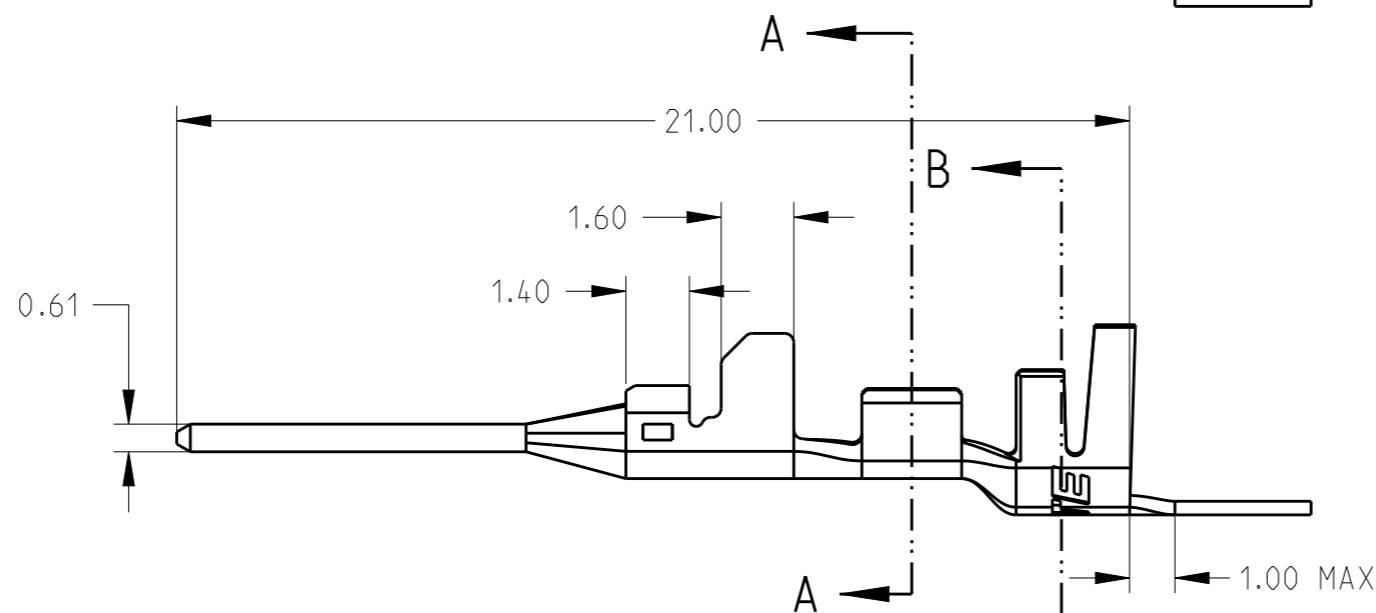
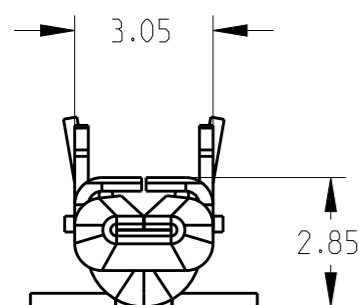
LOC ES DIST 00

REVISIONS

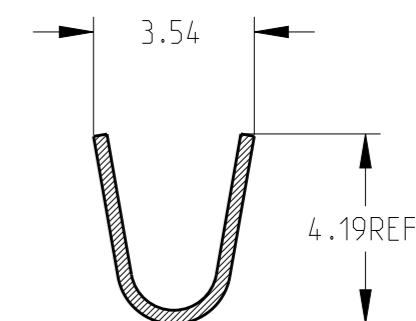
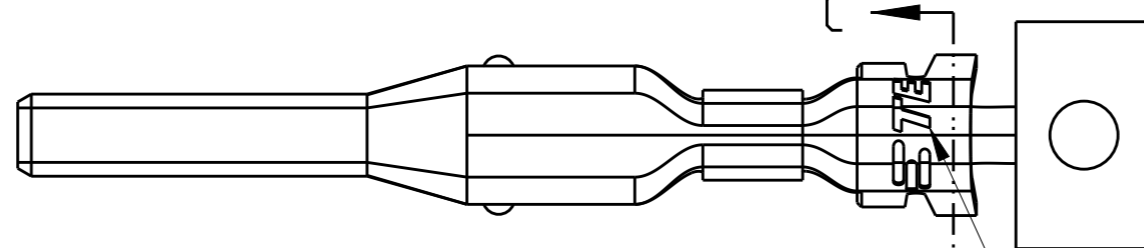
P	LTR	DESCRIPTION	DATE	DWN	APVD
	A1	REVISED PER ECR-17-000612	23JAN17	N.L	D.Z



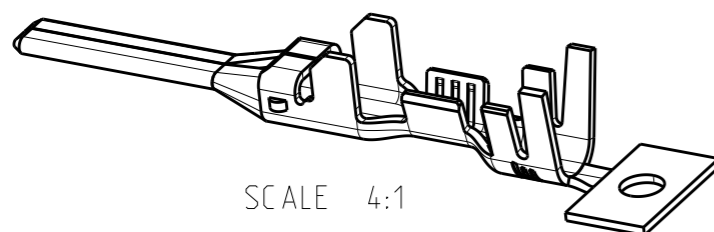
SECTION A-A



SECTION B-B




SECTION C-C



SCALE 4:1

(4000PCS/REEL)*5	3-1983662-1
(5000PCS/REEL)*4	1983662-1
PACKAGE QUANTITY(PCS)	PART NO.

NOTE:
 1.MATERIAL:COPPER ALLOY,PRE-TINNED
 2.APPLICABLE HOUSING P/N:1983658-*, 1983659-
 3.APPLICABLE WIRE RANGE:22-26AWG

THIS DRAWING IS A CONTROLLED DOCUMENT.		DWN LEO LIU 24AUG2011	 TE Connectivity		
DIMENSIONS: mm		CHK HAPYE WU 24AUG2011			NAME
TOLERANCES UNLESS OTHERWISE SPECIFIED:		APVD FRIC KONG 24AUG2011			TAB CONTACT MULTI 6P CONNECTOR
0 PLC ± 1 PLC ±1.0 2 PLC ±0.50 3 PLC ±0.300 4 PLC ±0.2000 ANGLES ±		PRODUCT SPEC 108-106071			SIZE A3
MATERIAL -		APPLICATION SPEC 114-106071	CAGE CODE -	DRAWING NO C=1983662	
FINISH -		WEIGHT -	RESTRICTED TO -	SCALE N/A	
CUSTOMER DRAWING			SHEET 1 OF 1	REV A1	