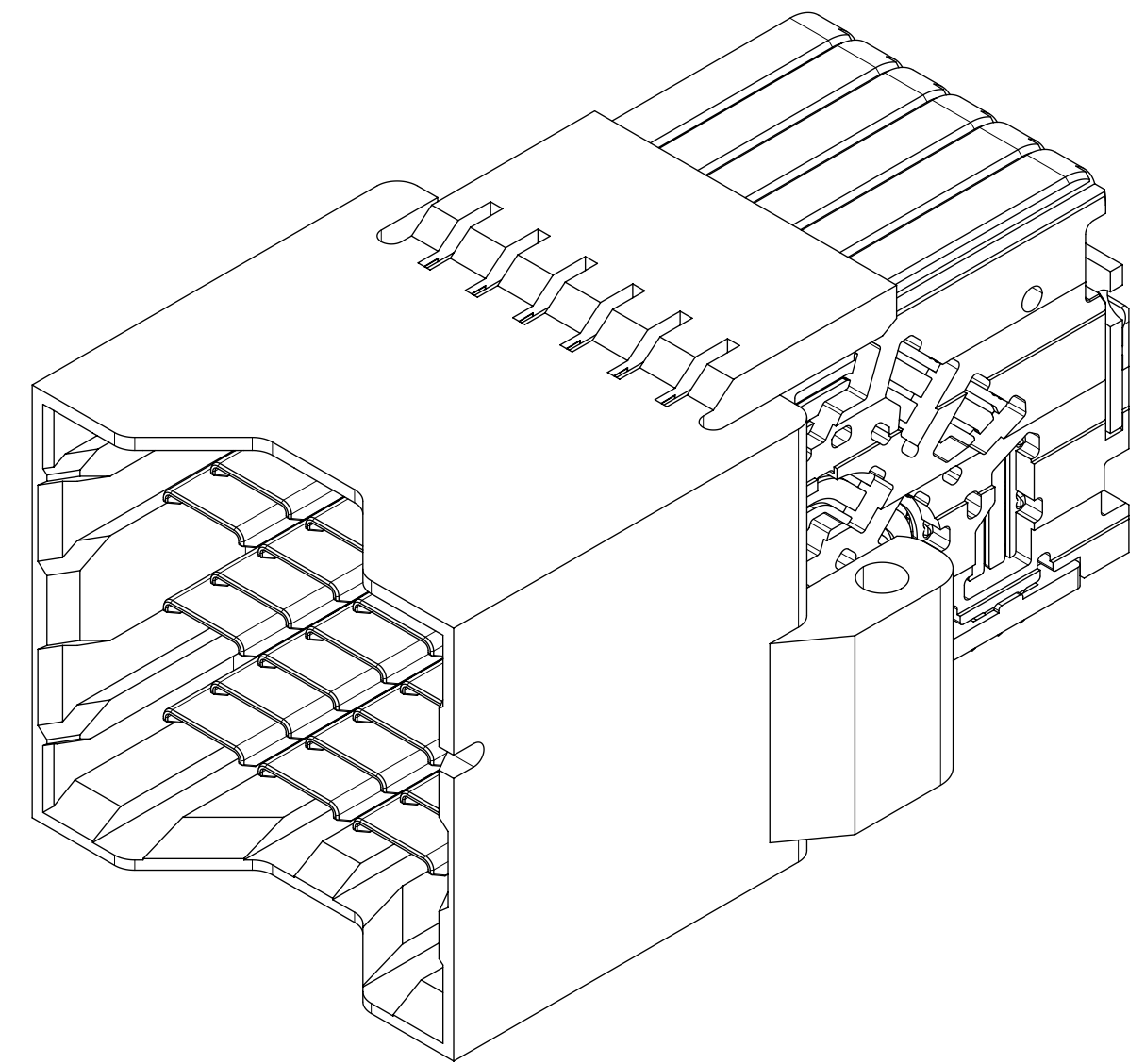


NOTES:

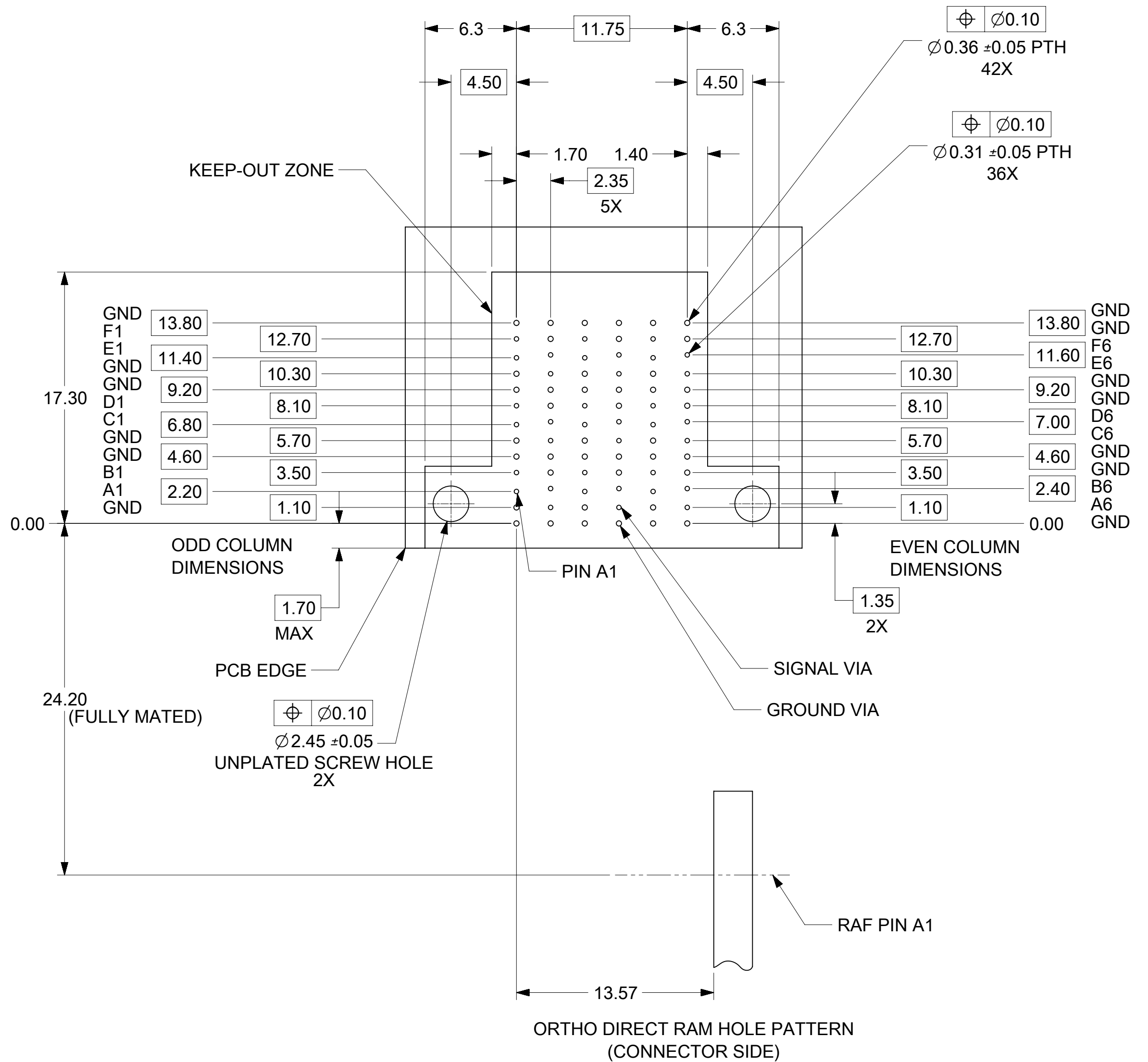
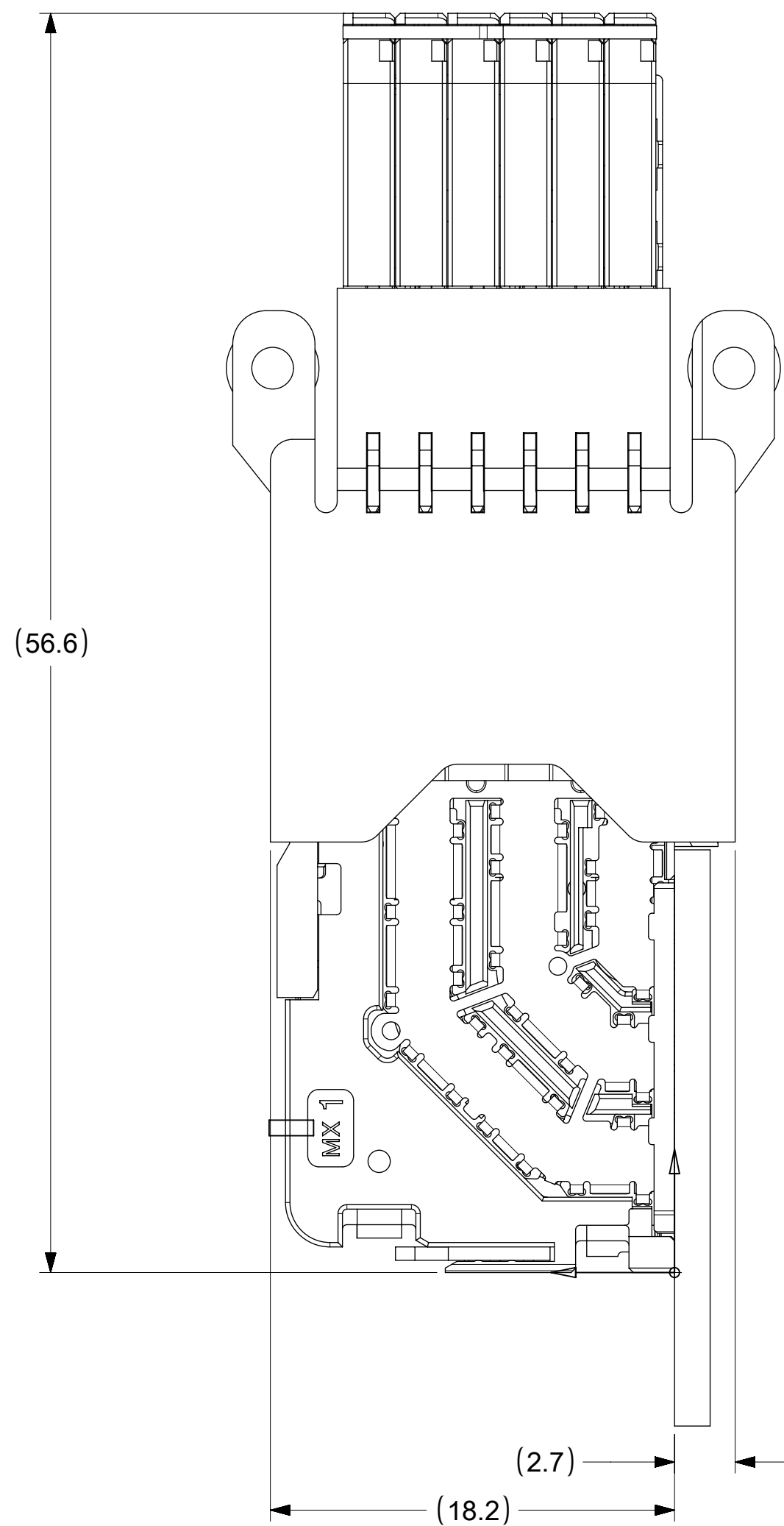
1. MATERIALS: HOUSING - LIQUID CRYSTAL POLYMER (LCP) GLASS-FILLED, UL94V-0
TERMINALS - HIGH PERFORMANCE COPPER ALLOY
2. FINISH: 10uIN GOLD IN CONTACT AREA.
SELECTIVE TIN ON PCB TAILS.
NICKEL OVERALL.
3. REFER TO MOLEX PRODUCT SPECIFICATION PS-171320-999 FOR PERFORMANCE SPECIFICATIONS (PENDING).
4. THIS PART CONFORMS TO CLASS B REQUIREMENTS OF COSMETIC SPEC PS-45499-002.
5. PRODUCT WILL BE PACKAGED PER PK-70873-TBD (PENDING).
6. SEE SHEETS 2 AND 3 FOR PCB LAYOUT AND ORTHOGONAL PIN MAPPING.
7. MATES WITH IMPEL ORTHO DAUGHTERCARD SERIES NUMBER 171510.
8. REFER TO IMPEL PCB ROUTING GUIDE AS-171500-990 FOR ANTIPAD, ROUTING RECOMMENDATIONS, AND ADDITIONAL PCB INFORMATION (PENDING).
9. CONNECTORS ARE SUPPLIED WITH TWO 2-32 THREAD FORMING SCREWS.



PRELIMINARY

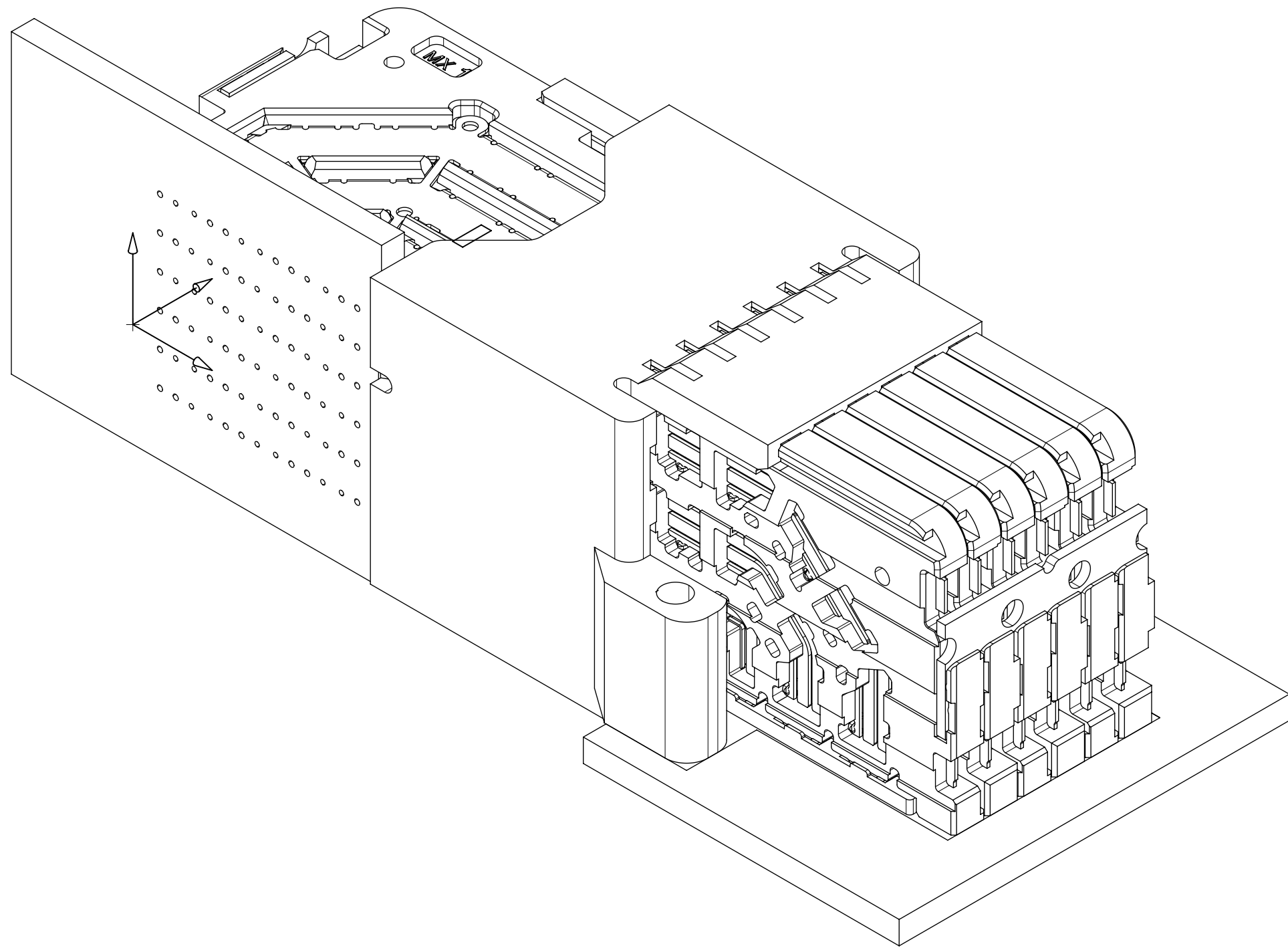
QUALITY SYMBOLS ▽ = 0 ▽ = 0 ▽ = 0 ▽ = 0 ▽ = 0 □ = 0 ■ = 0 ▽ = 0	THIS DRAWING CONTAINS INFORMATION THAT IS PROPRIETARY TO MOLEX ELECTRONIC TECHNOLOGIES, LLC AND SHOULD NOT BE USED WITHOUT WRITTEN PERMISSION									
	UPDATE NOTE 2 EC NO: 109540 DRWN: NGK01 CHKD: BJMILLER APP: TELO	GENERAL TOLERANCES (UNLESS SPECIFIED)		DIMENSION UNITS	SCALE					
ANGULAR TOL ± 0.5 °		MM	4:1							
4 PLACES ±		BJMILLER		DATE	IMPEL PLUS 3 PAIR OD-RAM 90 DEGREE - UNGUIDED SALES DRAWING					
3 PLACES ±		2016/03/08		DATE						
2 PLACES ± 0.13		CHKD BY		DATE	PRODUCT CUSTOMER DRAWING					
1 PLACE ± 0.25		APPR BY		DATE						
0 PLACES ±		DRAWING SIZE		THIRD ANGLE PROJECTION	SERIES	MATERIAL NUMBER	CUSTOMER			
DRAFT WHERE APPLICABLE MUST REMAIN WITHIN DIMENSIONS		C			173460	SEE CHART	GENERAL MARKET			
					DOCUMENT NUMBER		DOC TYPE	DOC PART	SHEET NUMBER	
					SD-173460-0001		PSD	000	1 OF 3	

PRELIMINARY



QUALITY SYMBOLS		THIS DRAWING CONTAINS INFORMATION THAT IS PROPRIETARY TO MOLEX ELECTRONIC TECHNOLOGIES, LLC AND SHOULD NOT BE USED WITHOUT WRITTEN PERMISSION		GENERAL TOLERANCES (UNLESS SPECIFIED)		DIMENSION UNITS		SCALE		molex	
∇	= 0			ANGULAR TOL $\pm 0.5^\circ$		MM		4:1			
∇	= 0	UPDATE NOTE 2		4 PLACES \pm		DRWN BY		DATE		IMPEL PLUS 3 PAIR OD-RAM 90 DEGREE - UNGUIDED SALES DRAWING	
∇	= 0	EC NO: 109540		3 PLACES \pm		BJMILLER		2016/03/08			
∇	= 0	2016/07/31		2 PLACES ± 0.13		CHKD BY		DATE		PRODUCT CUSTOMER DRAWING	
∇	= 0	2016/09/23		1 PLACE ± 0.25		APPR BY		DATE			
∇	= 0	2016/10/28		0 PLACES \pm		DRAWING SIZE		THIRD ANGLE PROJECTION		SERIES MATERIAL NUMBER CUSTOMER	
\square	= 0	DRWN: NGK01		DRAFT WHERE APPLICABLE MUST REMAIN WITHIN DIMENSIONS		C		\varnothing		173460 SEE CHART GENERAL MARKET	
\square	= 0	CHKD: BJMILLER								DOCUMENT NUMBER DOC TYPE DOC PART SHEET NUMBER	
\square	= 0	REV / APPR: TELO								SD-173460-0001 PSD 000 2 OF 3	

ORTHO PIN MAPPING (RAF - OD RAM)					
F1-E2	F2-F1	F3-C2	F4-D1	F5-A2	F6-B1
E1-F2	E2-E1	E3-D2	E4-C1	E5-B2	E6-A1
D1-E4	D2-F3	D3-C4	D4-D3	D5-A4	D6-B3
C1-F4	C2-E3	C3-D4	C4-C3	C5-B4	C6-A3
B1-E6	B2-F5	B3-C6	B4-D5	B5-A6	B6-B5
A1-F6	A2-E5	A3-D6	A4-C5	A5-B6	A6-A5



MATERIAL NUMBER	NUMBER OF COLUMNS	DIM "P" (PIN LENGTH)
173460-1607	6	4.90
173460-1608	6	5.50

PRELIMINARY

QUALITY SYMBOLS ▽ = 0 ▽ = 0 ▽ = 0 ▽ = 0 ▽ = 0 ▽ = 0 ▽ = 0 ▽ = 0 ▽ = 0 ▽ = 0	THIS DRAWING CONTAINS INFORMATION THAT IS PROPRIETARY TO MOLEX ELECTRONIC TECHNOLOGIES, LLC AND SHOULD NOT BE USED WITHOUT WRITTEN PERMISSION												
	EC NO: 109540 DRWN: NGK01 CHKD: BJMILLER REV APPR: TELO			2016/07/31 2016/09/25 2016/10/28			GENERAL TOLERANCES (UNLESS SPECIFIED) ANGULAR TOL ± 0.5 °		DIMENSION UNITS: MM SCALE: 4:1				
	UPDATE NOTE 2			4 PLACES ± 3 PLACES ± 2 PLACES ± 0.13 1 PLACE ± 0.25 0 PLACES ±			DRWN BY: BJMILLER DATE: 2016/03/08		IMPEL PLUS 3 PAIR OD-RAM 90 DEGREE - UNGUIDED SALES DRAWING				
	DRAFT WHERE APPLICABLE MUST REMAIN WITHIN DIMENSIONS			DRAWING SIZE: C		THIRD ANGLE PROJECTION			PRODUCT CUSTOMER DRAWING				
	SERIES: 173460			MATERIAL NUMBER: SEE CHART			CUSTOMER: GENERAL MARKET			DOCUMENT NUMBER: SD-173460-0001			
	DOC TYPE: PSD			DOC PART: 000			SHEET NUMBER: 3 OF 3			RELEASE STATUS: P1			
	RELEASE DATE: 28.10.2016			18:36:31			12			11			
	10			9			8			7			
	6			5			4			3			
	2			1			12			11			