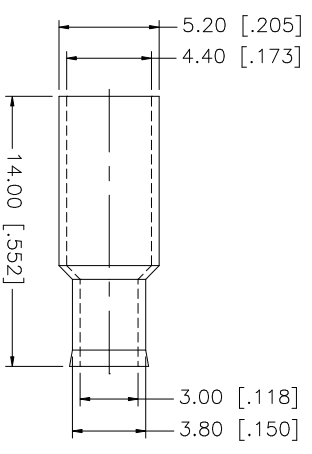
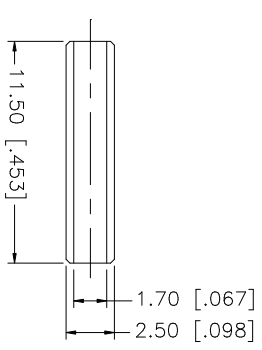
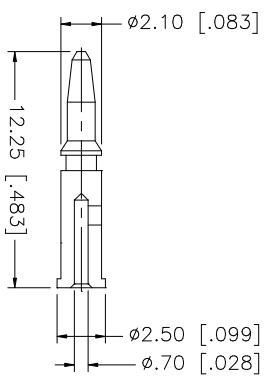
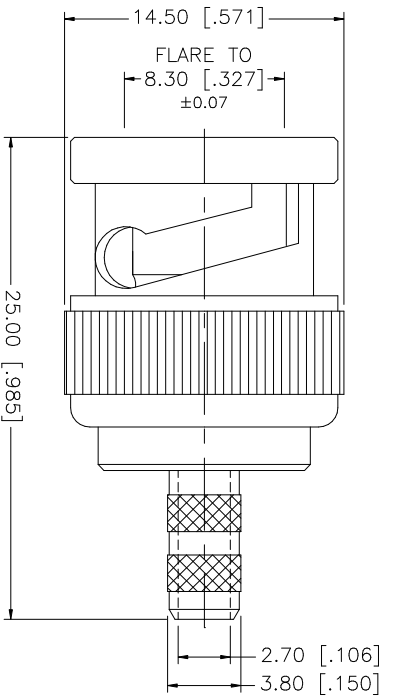
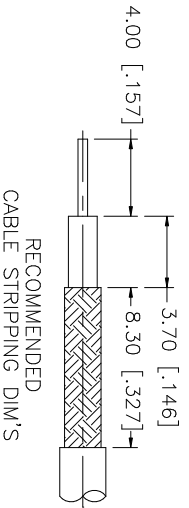


REV.	DATE	DESCRIPTION
A	02/28/02	MODIFY CONTACT PIN AND BODY LENGTH
B	04/04/03	UPDATE DRAWING FORMAT



- CRIMP NOTES:
1. CRIMPED FERRULE
HEX CRIMP SIZE .178"
 2. CRIMPED CONTACT PIN
HEX CRIMP SIZE .068"

NO.	DESCRIPTION	MATERIAL	FINISH	QTY	DO NOT SCALE DRAWING	CAD FILE	DWG. NO.	REV.	SIZE	SCALE
8						UNLESS OTHERWISE SPECIFIED DIMENSIONS ARE IN MILLIMETERS. DIMENSIONS IN [] ARE IN INCHES AND FOR CUSTOMER REFERENCE ONLY.				
7						UNLESS OTHERWISE SPECIFIED TOLERANCES FOR MILLIMETERS ARE:				
6						0.5 - 8mm ± 0.20mm				
5	FERRULE	COPPER	NICKEL	1		8 - 30mm ± 0.40mm				
4	SLEEVE	DELIRIN	NATURAL	1		30 - 120mm ± 0.50mm				
3	CONTACT PIN	BRASS	GOLD	1		UNLESS OTHERWISE SPECIFIED TOLERANCES FOR INCHES ARE:				
2	INSULATOR	DELIRIN	NATURAL	1		.020 - .315 = ± 0.007"				
1	SHELL/BODY	BRASS	NICKEL	1		.315 - 1.180 = ± 0.015" 1.180 - 4.724 = ± 0.020"				
DESCRIPTION		MATERIAL		QTY	DO NOT SCALE DRAWING	CAD FILE	DWG. NO.	REV.	SIZE	SCALE
						C:/112/112132.DWG	112132.DWG	B	A	NA
BNC CRIMP PLUG - 50 ohms (RG 174/U, 188/U, 316/U CABLE)										
PART NO. 112132										
SHEET 1 OF 1										
ISSUED										
CHECKED										
APPROVALS										
DATE 04/04/03										
DRAWN G.R.S.										