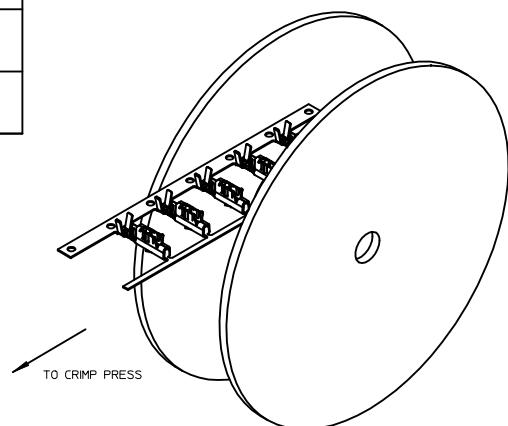
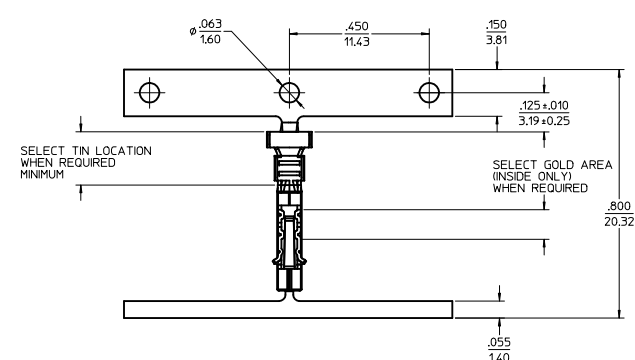
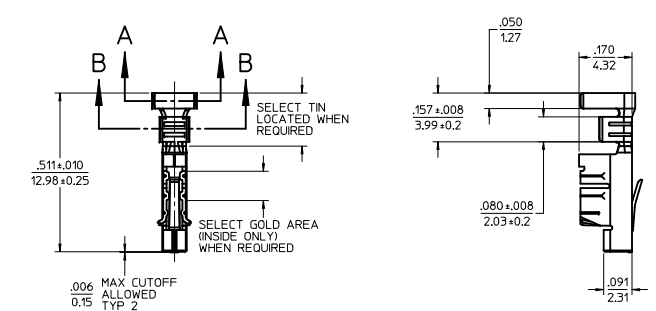
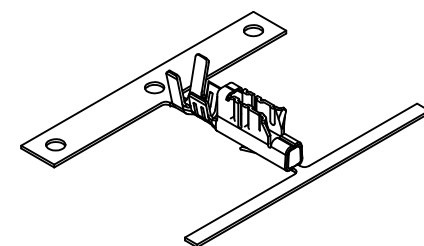


ITEM NUMBER	DESCRIPTION	PLATING	WIRE AWG.	DIM 'A' ±.010/0.25	DIM 'B'	DIM 'E'	DIM 'F'
45570-3000	ON REEL	PRE-PLATE: HOT TIN DIP SEE NOTE 2.1	18 - 20	.164 4.17	.162 4.12	.102 2.59	.110 2.80
45570-3050	LOOSE						
45570-3002	ON REEL	POST PLATE: TIN OVER NICKEL SEE NOTE 2.2	18 - 20	.164 4.17	.162 4.12	.102 2.59	.110 2.80
45570-3052	LOOSE						
45570-3004	ON REEL	POST PLATE: TIN OVER NICKEL W/SELECT GOLD SEE NOTE 2.3	18 - 20	.164 4.17	.164 4.12	.102 2.59	.110 2.80
45570-3054	LOOSE						

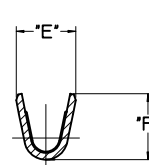
- NOTES:
- MATERIAL: COPPER ALLOY, .011(0.28) THICK.
 - PLATING OPTIONS:
 - PRE-PLATE HOT TIN DIP .000080/(.00203) MINIMUM OVERALL.
 - POST PLATE TIN .00020/(.00508) MINIMUM OVERALL OVER NICKEL .00005/(.00127) MINIMUM OVERALL.
 - POST PLATE SELECT TIN .00010/(.00250) MINIMUM AND SELECT GOLD .000030/(.00076) MINIMUM OVER NICKEL OVERALL .000050/(.00127) MINIMUM.
 - PRODUCT SPECIFICATION: PS-45570-001.
 - TERMINAL FOR USE IN HOUSING NUMBER 41695.
 - TERMINALS FOR USE WITH UL1015 STRANDED WIRE ONLY: MAXIMUM INSULATION RANGE 3.12/(.123).
 - FOR CRIMP INFORMATION SEE CRIMP SPECIFICATION ATS-63866-2000.
 - TERMINAL MATES TO MOLEX .156/3.96 HEADERS WITH .045/1.14 SQ. PIN.
 - REEL 4000 TERMINALS ON A 24" CARDBOARD REEL USING A 6" INNER CORE WITH A PAPER LINER. FULL REELS TO BE PACKAGED 10 PER CARTON.



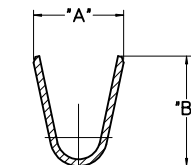
REEL WINDING DIRECTION FOR FINISHED PRODUCT



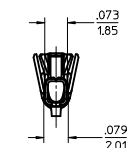
TERMINAL - ON CARRIER



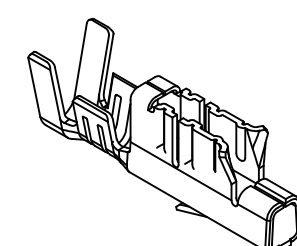
SECTION B-B
SCALE 10:1



SECTION A-A
SCALE 10:1



TERMINAL - LOOSE



REVISED EC NO: UCP2012-2736 DRAWING DATA 2012/02/24 CHKD: APPR: APATEL 2012/03/01 REV:	QUALITY SYMBOLS	GENERAL TOLERANCES (UNLESS SPECIFIED)	SCALE 5:1	DESIGN UNITS INCH	THIRD ANGLE PROJECTION	REVISE ON CAD ONLY
	▽-0	4 PLACES ± --- ± ---	DIMENSION STYLE IN/MM	TITLE	TERMINAL, FEMALE CRIMP .156 CENTERS	
	▽-0	3 PLACES ± --- ± .005	DRAWN BY MMD DATE 4-29-03	MOLEX INCORPORATED MATERIAL NO. SEE CHART DOCUMENT NO. SD-45570-001 SHEET NO. 1 OF 1		
	▽-0	2 PLACES ± 0.13 ± .010	CHECKED BY AP DATE 4-29-03			
	1 PLACE ± 0.25 ± ---	ANGULAR ± 1/2°	APPROVED BY AP DATE 4-30-03	THIS DRAWING CONTAINS INFORMATION THAT IS PROPRIETARY TO MOLEX INCORPORATED AND SHOULD NOT BE USED WITHOUT WRITTEN PERMISSION		