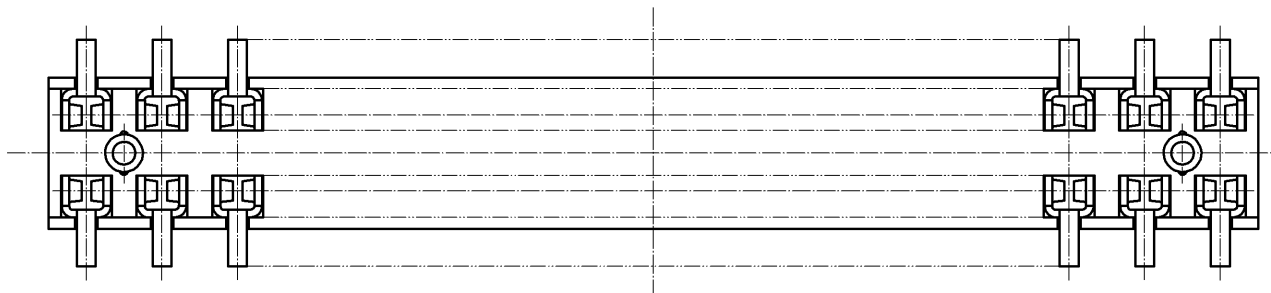
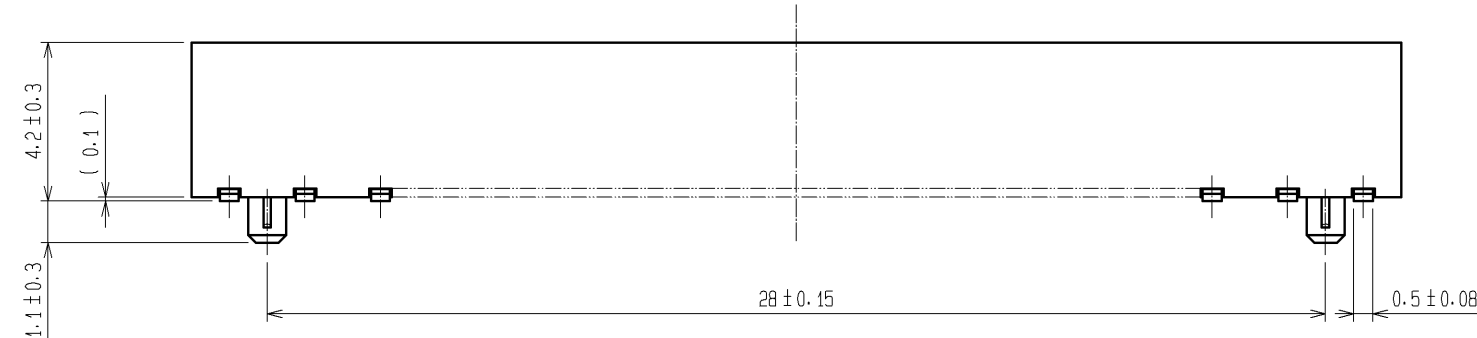
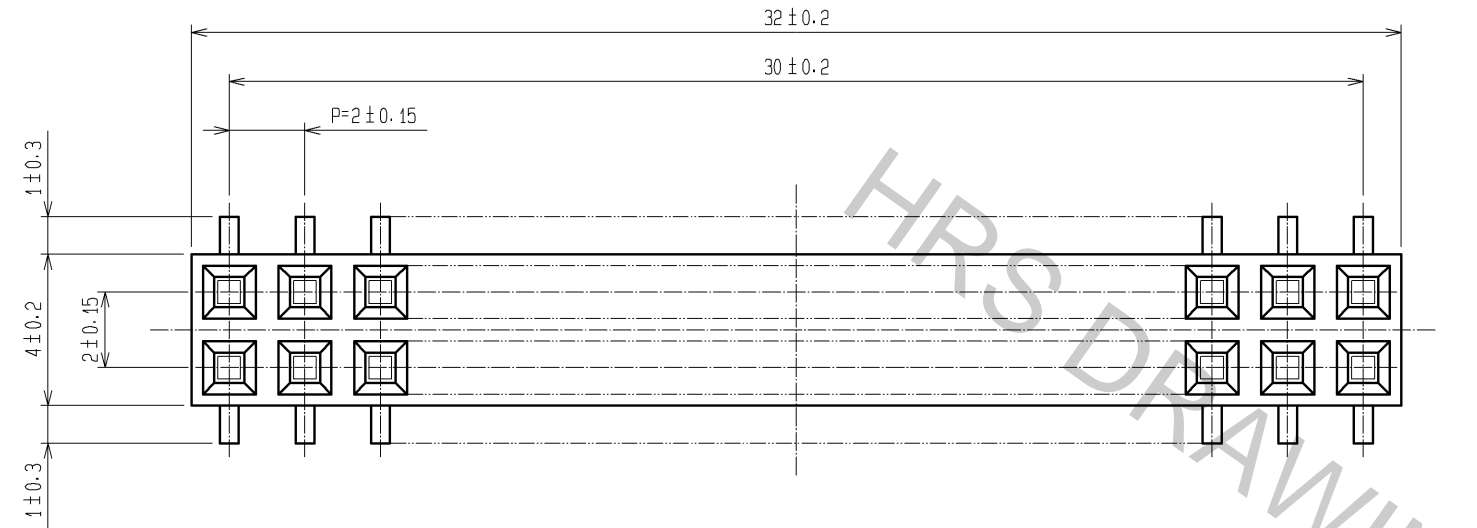
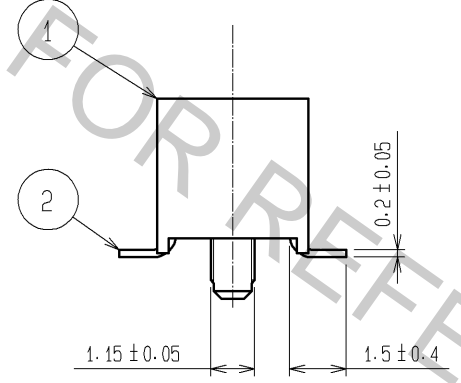
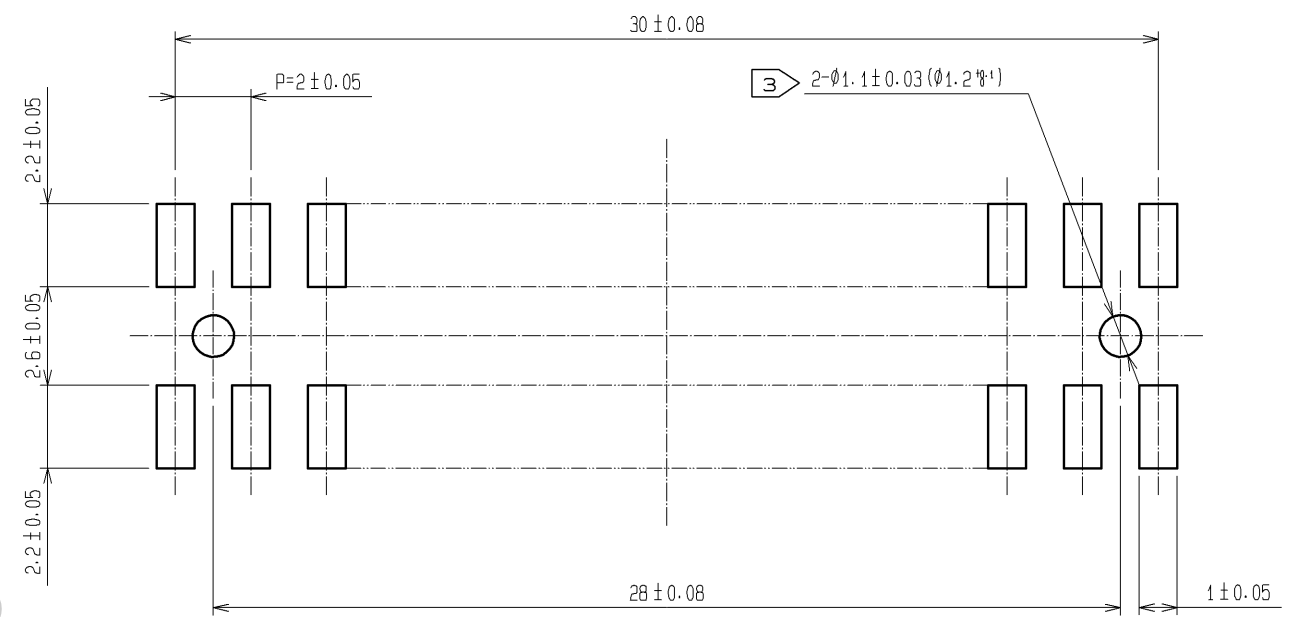


May.1.2017 Copyright 2017 HIROSE ELECTRIC CO., LTD. All Rights Reserved.



RECOMMENDED LAND PATTERN DIMENSION OF PCB (MOUNTING SIDE)(FREE)
(RECOMMENDED METAL MASK THICKNESS:0.2mm)



- NOTE 1 LEAD CO-PLANARITY SHALL BE 0.15 MAX.
 2 THE DIMENSIONS IN PARENTHESES ARE FOR REFERENCE.
 3 FOR AUTOMATED MOUNTING, RECOMMENDED THROUGH HOLE DIAMETER OF BOSS IS 1.2^{#1}.

1	PPS	LIGHT BROWN / UL94 V-0	2	PHOSPHOR BRONZE	CONTACT AREA:GOLD 0.2μm min. LEAD AREA:TIN-PLATING 1μm min. UNDER PLATING:NICKEL 1μm min.		
NO.	MATERIAL	FINISH . REMARKS	NO.	MATERIAL	FINISH . REMARKS		
UNITS mm		SCALE 5 : 1	COUNT 	DESCRIPTION OF REVISIONS	DESIGNED	CHECKED	DATE
HRS HIROSE ELECTRIC CO., LTD.		APPROVED : HS. OKAWA	09. 04. 10	DRAWING NO.	EDC3-082683-21		
		CHECKED : HT. YAMAGUCHI	09. 04. 10	PART NO.	A3A-32DA-2SV(71)		
		DESIGNED : SY. KAMIGA	09. 04. 08	CODE NO.	CL621-1154-0-71		
		DRAWN : HK. SUNADORI	09. 04. 08		1/1		