

THIS DRAWING IS UNPUBLISHED.  
 VERTRÄGLICHE UNVERÖFFENTLICHTE ZEICHNUNG  
 © COPYRIGHT 2014 Tyco Electronics AMP GmbH  
 RELEASED FOR PUBLICATION  
 FREI FÜR VERÖFFENTLICHUNG  
 2014  
 ALL RIGHTS RESERVED.  
 ALLE RECHTE VORBEHALTEN.  
 DATED WITH  
 PASSEND ZU

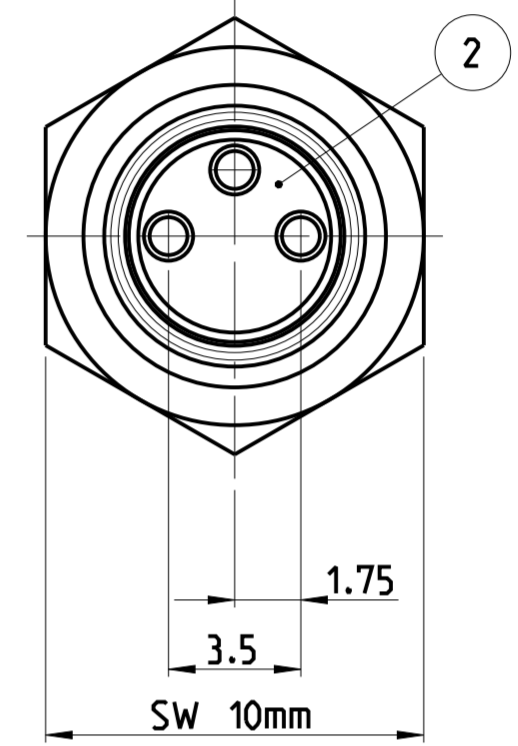
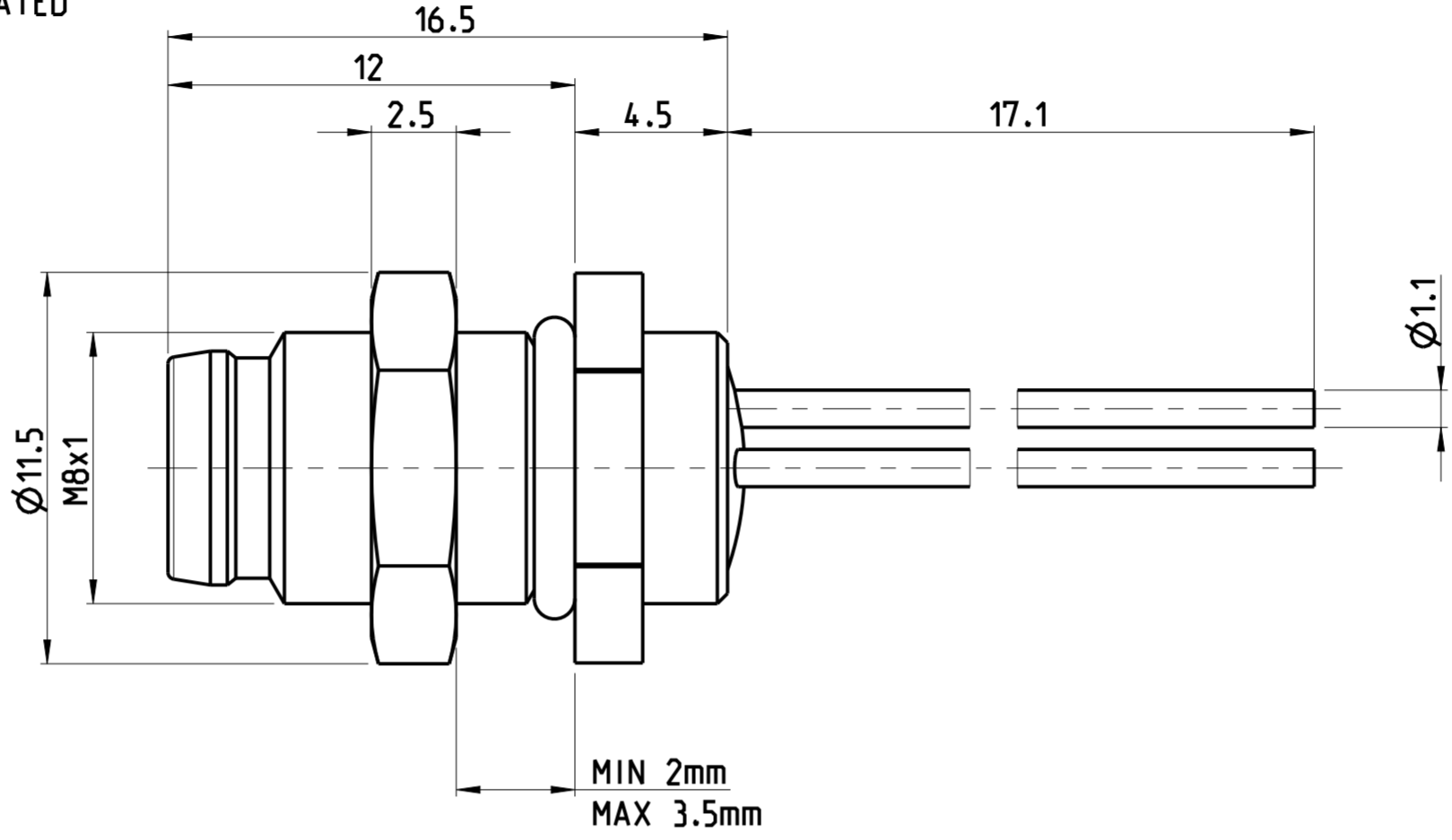
PROJECT NO.:  
 PRJ-11-000004377

REVISIONS		DATE	DWN	APVD
NO.	DESCRIPTION			
A	NEW RELEASE	04DEC2014	TJ	PS

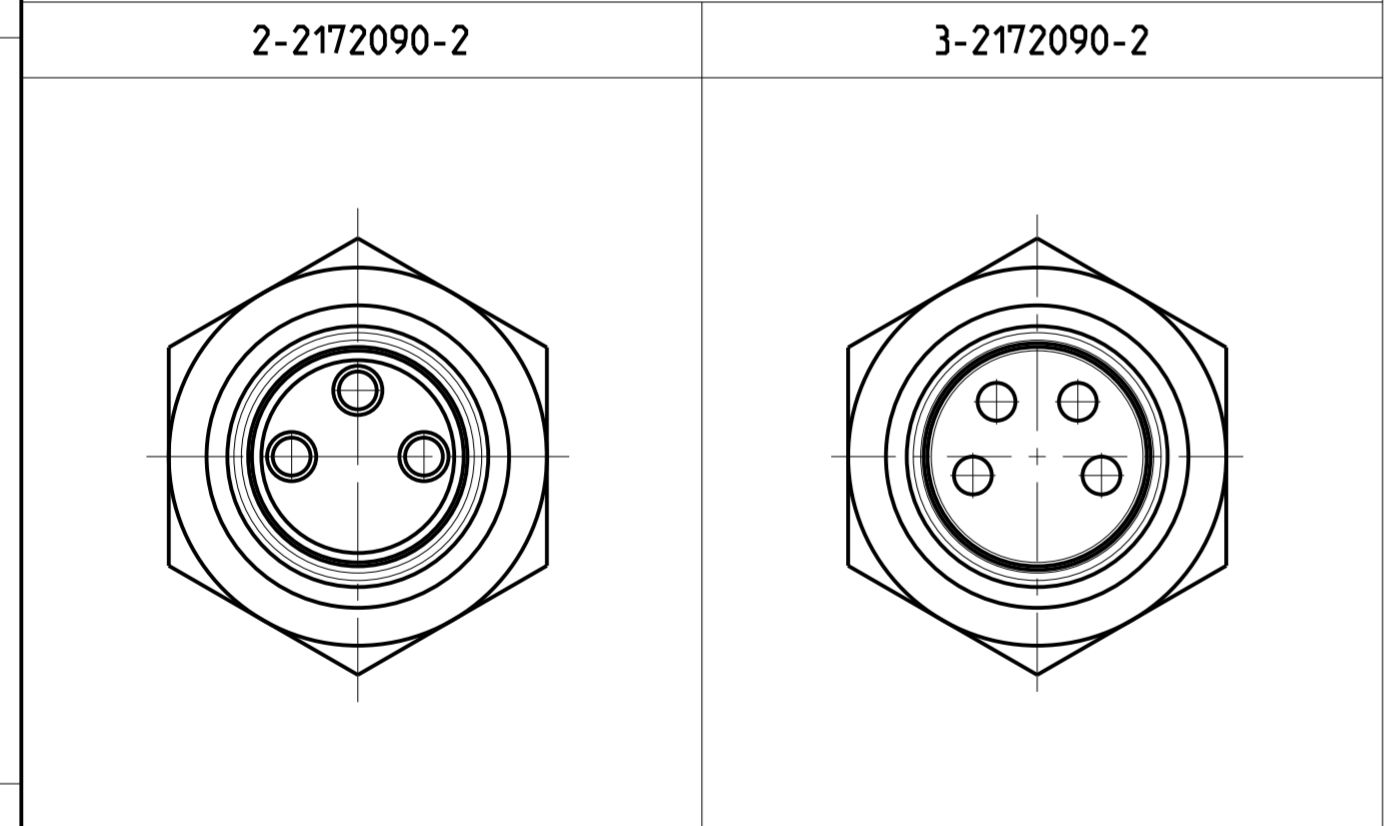
NOTES:  
 1 MATERIAL: ITEM NO. 1: HOUSING - CuZn (BRASS NICKEL PLATED)  
 ITEM NO. 2: CONTACT BODY - PA  
 ITEM NO. 3: CONTACT - CuZn (BRASS)  
 CONTACT FINISH - Au (GOLD)

2 ALL DIMENSIONS ARE FOR NOMINAL REFERENCE ONLY UNLESS OTHERWISE STATED

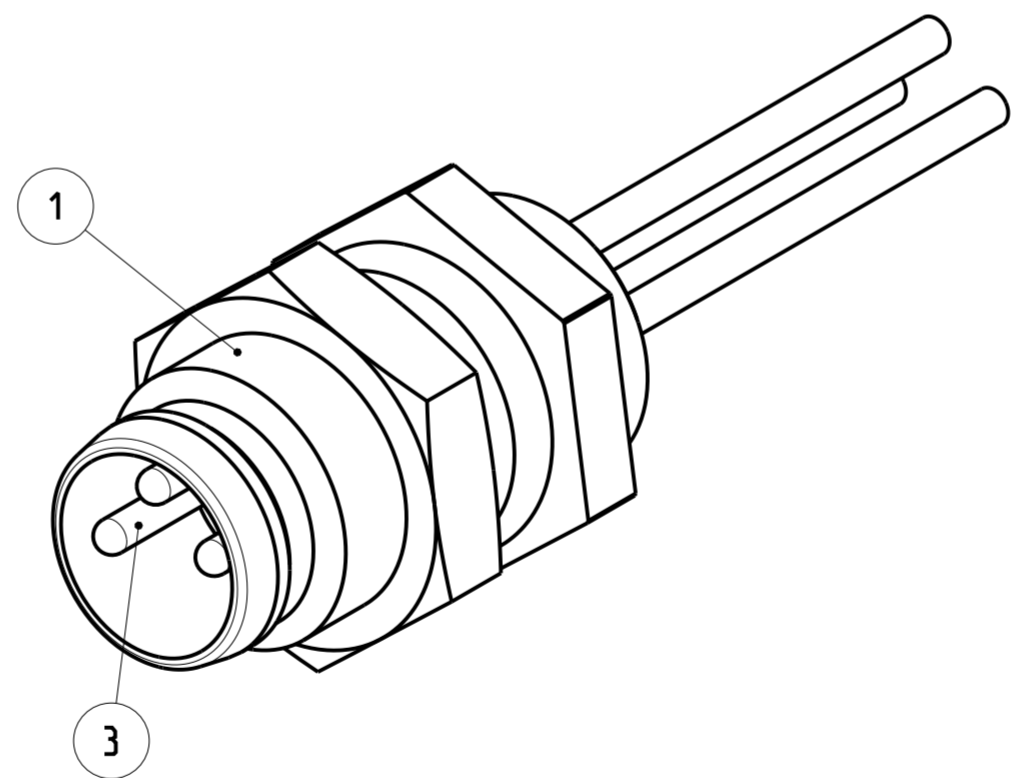
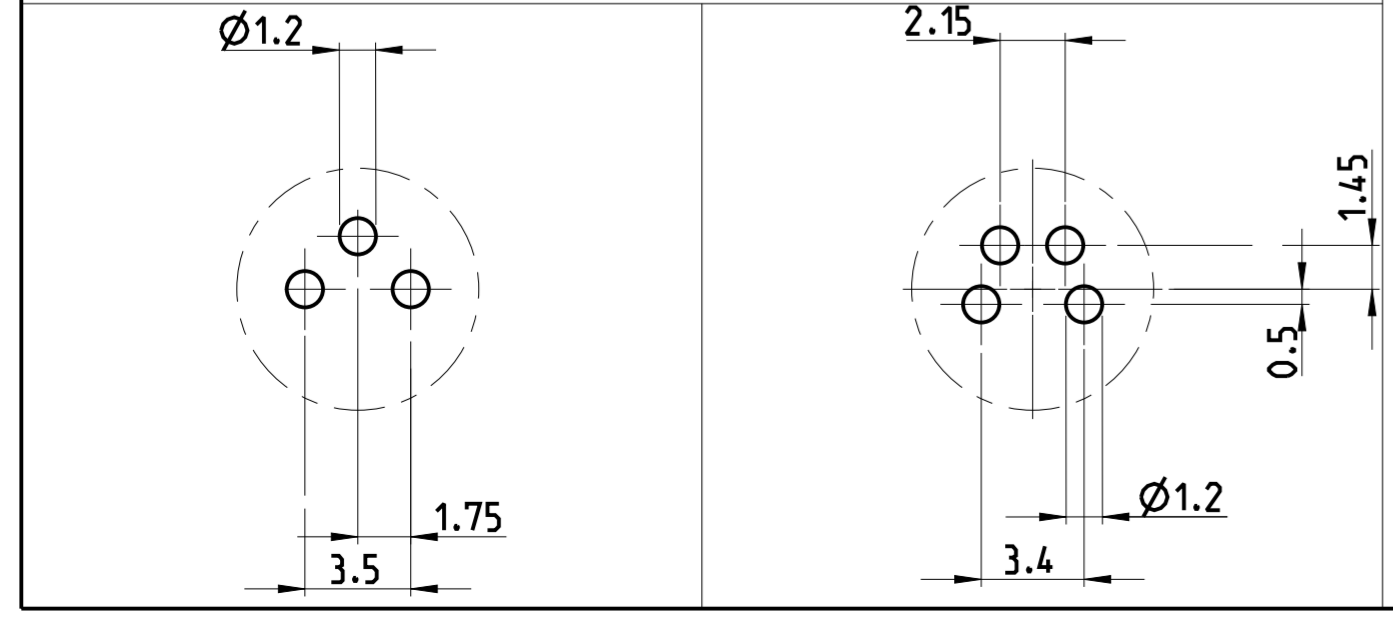
TECHNICAL DATA	2-2172090-2	3-2172090-2
RATED VOLTAGE	60V	30V
RATED IMPULSE VOLTAGE	800V	800V
POLLUTION DEGREE	3	3
OVERVOLTAGE CATEGORY	II	II
MATERIAL GROUP	II	II
RATED CURRENT	4A	4A
VOLUME RESISTIVITY	≤ 3mΩ	≤ 3mΩ
DEGREE OF PROTECTION	IP67	IP67
UPPER TEMPERATURE	+85 °C	+85 °C
LOWER TEMPERATURE	-40 °C	+40 °C



PIN ARRANGEMENT



CONDUCTOR LAYOUT



SIZE ISO 14405 (E)

DIESE ZEICHNUNG IST EIN KONTROLLIERTES DOKUMENT.  
 BEMASSUNGEN UND TOLERANZEN GEMAESS GPS (ISO STANDARDS).

THIS DRAWING IS A CONTROLLED DOCUMENT.  
 DIMENSIONING AND TOLERANCING PER GPS (ISO STANDARDS).

DIMENSIONS: MASSE/MASSSTAB: [mm]	TOLERANCES UNLESS OTHERWISE SPECIFIED: ALLGEMEINTOLERANZEN	DWN YASHKUMAR 13SEP2014
		CHK M. BRUBAKER 13SEP2014
		APVD M. BRUBAKER 13SEP2014
		NAME M8 RECEPTACLE, MALE, PANEL REAR MOUNT, WIRE
MATERIAL SEE NOTES	FINISH/OBERFLÄCHE/FARBE SEE NOTES	PRODUCT SPEC 108-19483
		APPLICATION SPEC 114-32127
		WEIGHT -
		Customer Drawing

⚠	4	3-2172090-2
⚠	3	2-2172090-2
MATERIAL	NUMBER OF POLES	TE-PART-NO.



SIZE	CAGE CODE	DRAWING NO.	RESTRICTED TO
A2	00779	C-2172090	MUR FÜR
SCALE	MASSTAB	SHEET	OF
4:1	BLATT	1	VON 1
REV	A		