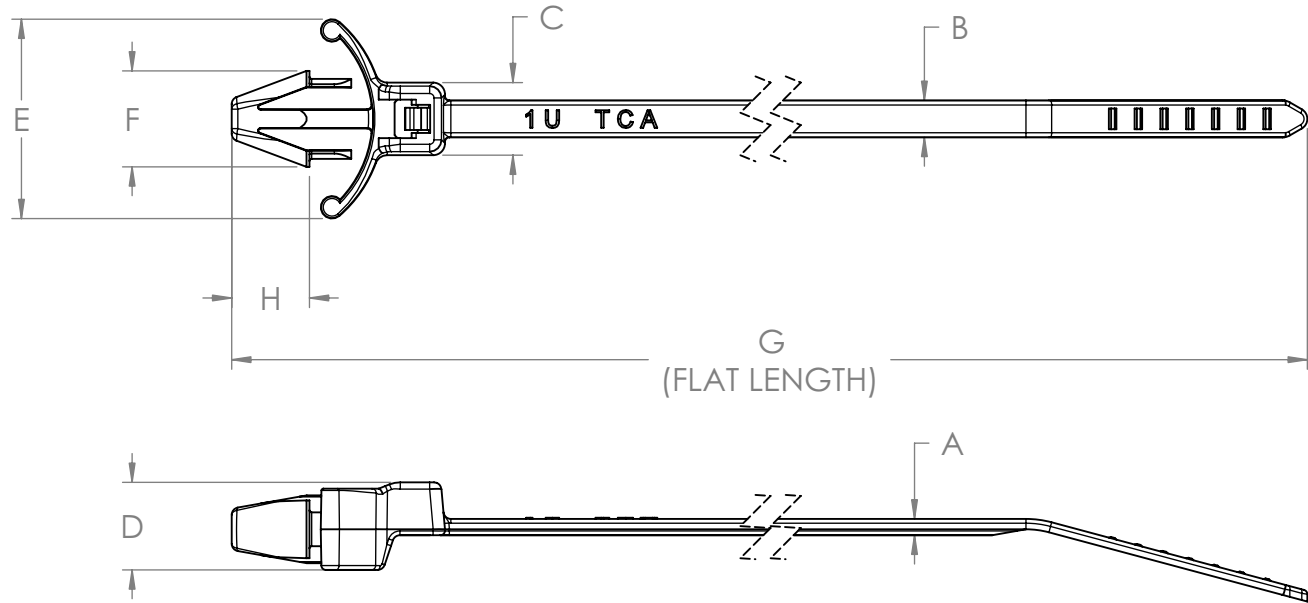


PRODUCT CODE DESCRIPTION T18RWPM	Revision level		Revision Record See ECN 002055	Changed K.A.C.	Date 11/21/00	Approved K.A.C.	Date 11/21/00
	Part —	Drawing 01					

COLOR
(CONSULT FACTORY FOR AVAILABLE COLORS)



1.52 to 3.18
Panel Thickness (mm)

4.76 to 5.59
Panel Hole Dia. (mm)

SEE CHART

Material
Dimension tolerances unless otherwise specified
.XXXX =
.XXX =
.XX = NOTED
.X =
∠ =
Dimension Units mm
PERFORMANCE SPECIFICATION

Group Order Number	Aerospace Spec. Tie SAE AS33671	Product Code	Cable Range (mm)	Material	A	B	C	D	E	F	G	H	Min Loop Tensile Strength (newtons)
115-1871	no	T18RWPM_	1.56 to 22.23	PA66	1.08 ± 0.10	2.45 ± 0.15	4.80 ± 0.50	5.80 ± 0.50	13.20 ± 1.00	6.35 ± 0.30	111.54 ± 5.00	5.15 ± 0.50	80

	Drawn K.A.C. 1/22/99 Approved K.A.C. 11/21/00	Scale 2:1 Title	Computer File Number CT2019004CST_01 Phase: Production
	<p style="text-align: center;">HellermannTyton®</p> <p style="text-align: center;">7930 N. Faulkner Rd. Milwaukee, WI 53224 Ph: (414) 355-1130 Fx: (414) 362-8338</p>		<p style="text-align: center;">T18RWPM WINGED PUSH MOUNT</p> <p style="text-align: center;">Drawing-No CT2019004CST</p>
			Format AH Sheet 1 of 1

Product Number
Cross Reference Record

Uncontrolled Document

Pre-UNS Number System	(New) UNS Universal Number System	Customer Part Number
Product Number T18RWPM	Product Number 126-00042	Product Number -
Reference Drawing Number: CT2019004CST		

Issued By:	(New) UNS Product Number	Issue Date:
HellermannTyton	Universal Numbering System	May 21, 2009