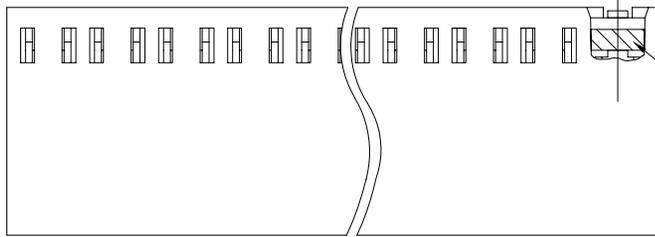
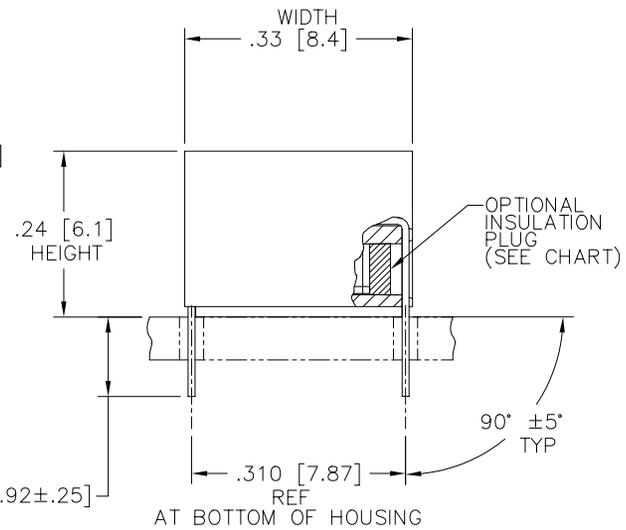
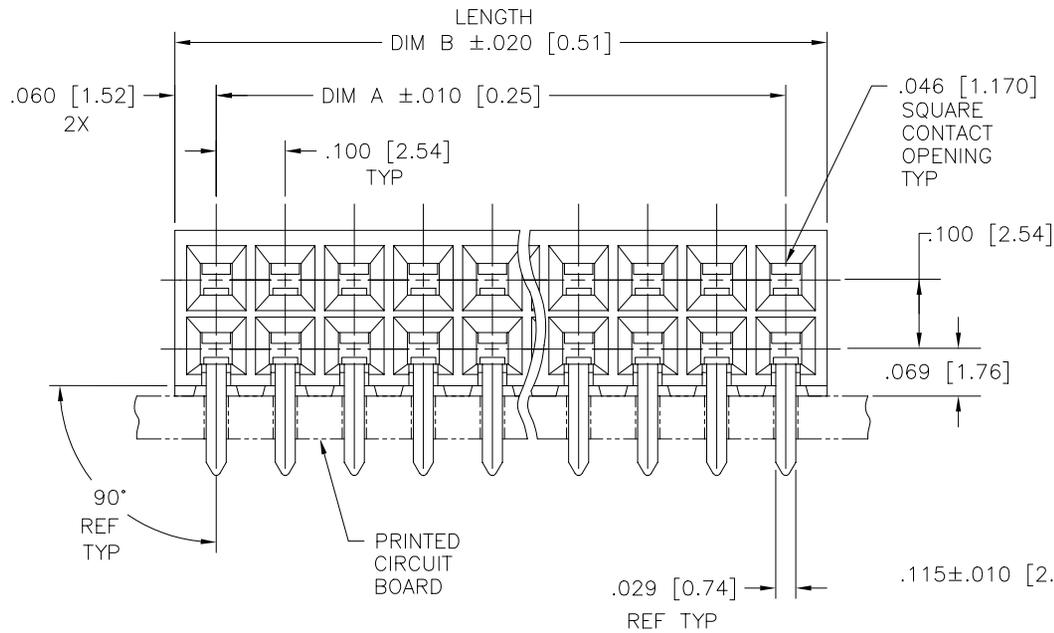


PRODUCT NO.  
SEE TABLE



OPTIONAL  
INSULATION  
PLUG



Copyright FCI

mat'l. code		surface		tolerance		projection		product family	
-		ISO 1302 ✓		ISO 406 ISO 1101				CARD CONN	
ltr		ecn no dr		date		tolerances unless otherwise specified		title	
A	APPROVED	MCA	10/84	angles	linear	.xx±.01/.3		2 x.100 HORIZ. CARD	
B	REVNOTES	EJH	12/85			.xxx ±.005/.13		CONNECTOR 50u" Au	
C	REVNOTES	JRL	03/10/86	0°±2'		.xxx ±.0020/.051		scale 4:1	
D	v70464	RGD	09/22/97	dr	W.COPENHEAVEN	9/06/84		dwg no sheet 1 of 6 size	
E	v02386	AZ	10/10/00	enfr	K. SINGH	10/31/84		68671 A3	
F	M05-0181	MHT	8/22/05	chr	H. SUNDY	2/07/84		type Product Customer Drawing	
G	M06-0117	AEA	06/24/06	appd	C. WILLIAMS	10/31/04			
sheet	revision	G	G	G	G	G	G		
index	sheet	1	2	3	4	5	6		

form: A3

PRODUCT NO.  
SEE TABLE

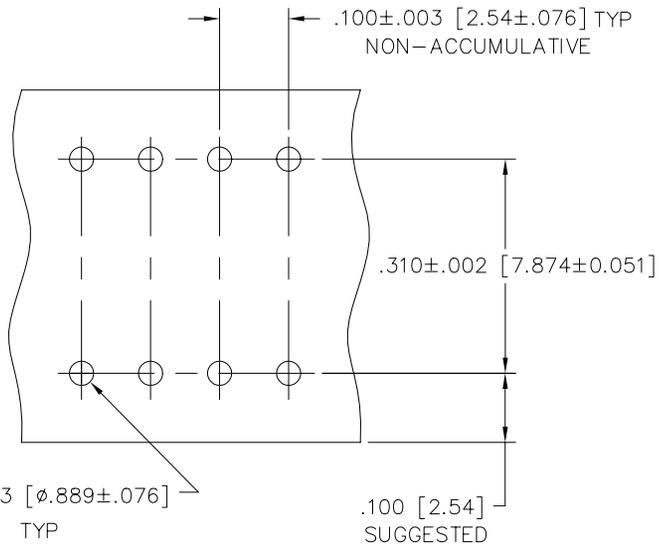


FIGURE 1

NOTES:

1. HOUSING MATERIAL:  
FILLED HIGH TEMPERATURE NYLON  
PER UL 94-V0. COLOR BLACK.
2. TERMINAL MATERIAL:  
BODY: BRASS, .010 [0.25] THICK  
SPRING: BE-CU, HEAT TREATED  
BODY PLATING:  
50u"/1.27u Au OVER 50u"/1.27u Ni  
IN CONTACT AREA.  
SPRING PLATING: Au FLASH
3. APPLICATION INFORMATION:  
A. RECOMMENDED MOUNTING HOLE  
PATTERN IS SHOWN IN FIGURE "1"  
B. ALL MATING PINS TO BE  
.025 [0.64] SQUARE ON TRUE  
CENTER OF GIVEN TERMINAL  
SPACINGS WITHIN .015 [0.38] DIA.  
C. SUGGESTED MATING PIN LENGTH  
.350±.020 [8.89±0.51]
- ④ ADD "LF" SUFFIX AT THE END OF PART NUMBER FOR LEAD  
FREE OPTION.
- ⑤ THESE PRODUCT MEETS EUROPEAN UNION DIRECTIVES AND OTHER  
COUNTRY REGULATIONS AS DESCRIBED IN GS-22-008
6. THIS PART WILL WITHSTAND EXPOSURE TO 260°C PEAK TEMPERATURE  
FOR 20 SECONDS IN A WAVE SOLDER, INFRA-RED OR VAPOR PHASE  
SOLDER PROCESS.



FCIconnect.com

Copyright FCI

mat'l. code		surface		tolerance		projection		product family	
-		ISO 1302 ✓		ISO 406 ISO 1101		⊕		CARD CONN	
ltr		ecn no dr		date		tolerances unless otherwise specified		title	
G						.xx±.01/.3 .xxx ±.005/.13 .xxx ±.0020/.051		2 x.100 HORIZ. CARD CONNECTOR 50u" Au	
						0°±2'		INCH/MM	
								scale 4:1	
		dr		W.COPENHEAVEN		9/06/84		dwg no	
		enr		K. SINGH		10/31/84		sheet 2 of 6 size	
		chr		H. SUNDY		2/07/84		68671 A3	
		appd		C. WILLIAMS		10/31/04		type Product Customer Drawing	
sheet index		revision sheet							

PRODUCT NUMBER	NO. OF POS.	DIM. A	DIM. B	INSULATION PLUG	LEAD FREE OPTION
68671-001		U N A S S I G N E D			NOTE 4,5
-002	2X2	.10/2.5	.22/5.59	NO	OBSOLETE
-003	2X3	.20/5.0	.32/8.13		
-004	2X4	.30/7.6	.42/10.67		
-005	2X5	.40/10.1	.52/13.21		
-006	2X6	.50/12.7	.62/15.75		
-007	2X7	.60/15.2	.72/18.27		
-008	2X8	.70/17.7	.82/20.83		
-009	2X9	.80/20.3	.92/23.37		
-010	2X10	.90/22.8	1.02/25.91		
-011	2X11	1.00/25.4	1.12/28.45		
-012	2X12	1.10/27.9	1.22/30.99		
-013	2X13	1.20/30.4	1.32/33.53		
-014	2X14	1.30/33.0	1.42/36.07		
-015	2X15	1.40/35.5	1.52/38.61		
-016	2X16	1.50/38.1	1.62/41.15		
-017	2X17	1.60/40.6	1.72/43.69		
-018	2X18	1.70/43.1	1.82/46.23		
-019	2X19	1.80/45.7	1.92/48.77		
-020	2X20	1.90/48.2	2.02/51.31		
-021	2X21	2.00/50.8	2.12/53.85		
-022	2X22	2.10/53.3	2.22/56.39		
-023	2X23	2.20/55.8	2.32/58.93		
-024	2X24	2.30/58.4	2.42/61.47		
-025	2X25	2.40/60.9	2.52/64.01		
-026	2X26	2.50/63.5	2.62/66.55		
-027	2X27	2.60/66.0	2.72/69.09		
-028	2X28	2.70/68.5	2.82/71.63		
-029	2X29	2.80/71.1	2.92/74.17		
-030	2X30	2.90/73.6	3.02/76.71		
-031	2X31	3.00/76.2	3.12/79.25		
-032	2X32	3.10/78.7	3.22/81.79		
-033	2X33	3.20/81.2	3.32/84.33		
-034	2X34	3.30/83.8	3.42/86.87		
-035	2X35	3.40/86.3	3.52/89.41		
-036	2X36	3.50/88.9	3.62/91.95		
-037	2X37	3.60/91.4	3.72/94.49		
-038	2X38	3.70/93.9	3.82/97.03		
-039	2X39	3.80/96.5	3.92/99.57		
68671-040	2X40	3.90/99.0	4.02/102.11	NO	



FCIconnect.com

Copyright FCI

mat'l. code		surface		tolerance		projection		product family	
-		ISO 1302 ✓		ISO 406		⊕		CARD CONN	
ltr		ecn no		date		tolerances unless otherwise specified		title	
G						.XX±.01/.3		2 x.100 HORIZ. CARD	
						linear .XXX ±.005/.13		CONNECTOR 50u" Au	
						0'±2'		scale 4:1	
						.XXX ±.0020/.051		dwg no	
				dr W.COPENHEAVEN		9/06/84		sheet 3 of 6 size	
				enr K. SINGH		10/31/84		68671	
				chr H. SUNDY		2/07/84		A3	
				appd C. WILLIAMS		10/31/04		type Product Customer Drawing	
sheet index		revision sheet							



form: A3

PRODUCT NUMBER	NO. OF POS.	DIM. A	DIM. B	INSULATION PLUG	LEAD FREE OPTION
68671-041	2X41	4.00/101.6	4.12/104.65	NO	NOTE 4,5
-042	2X42	4.10/104.1	4.22/107.19		
-043	2X43	4.20/106.6	4.32/109.73		
-044	2X44	4.30/109.2	4.42/112.27		
-045	2X45	4.40/111.7	4.52/114.81		
-046	2X46	4.50/114.3	4.62/117.35		
-047	2X47	4.60/116.8	4.72/119.89		
-048	2X48	4.70/119.3	4.82/122.43		
-049	2X49	4.80/121.9	4.92/124.97		
-050	2X50	4.90/124.4	5.02/127.51		
-051	2X51	5.00/127.0	5.12/130.05		
-052	2X52	5.10/129.5	5.22/132.59		
-053	2X53	5.20/132.0	5.32/135.15		
-054	2X54	5.30/134.6	5.42/137.67		
-055	2X55	5.40/137.1	5.52/140.21		
-056	2X56	5.50/139.7	5.62/142.76		
-057	2X57	5.60/142.2	5.72/145.29		
-058	2X58	5.70/144.7	5.82/147.83		
-059	2X59	5.80/147.3	5.92/150.37		
-060	2X60	5.90/149.8	6.02/152.91		
-061	2X61	6.00/152.4	6.12/155.45		
-062	2X62	6.10/154.9	6.22/157.99		
-063	2X63	6.20/157.4	6.32/160.53		
-064	2X64	6.30/160.0	6.42/163.07		
68671-065	2X65	6.40/162.5	6.52/165.61	NO	
-066 THRU -100				NOTE 4,5	

OBSOLETE



FCJconnect.com

Copyright FCJ

mat'l. code		surface		tolerance		projection		product family	
-		ISO 1302		ISO 406				CARD CONN	
				ISO 1101					
ltr		ecn no		date		tolerances unless otherwise specified		title	
G						.XX±.01/.3 .XXX ±.005/.13 .XXXX ±.0020/.051		2 x.100 HORIZ. CARD CONNECTOR 50u" Au	
						INCH/MM			
						scale 4:1			
				dr		W.COPENHEAVEN		9/06/84	
				enr		K. SINGH		10/31/84	
				chr		H. SUNDY		2/07/84	
				appd		C. WILLIAMS		10/31/04	
sheet index		revision sheet							



form: A3

PRODUCT NUMBER	NO. OF POS.	DIM. A	DIM. B	INSULATION PLUG	LEAD FREE OPTION
68671-501		U N A S S I G N E D			NOTE 4,5
-502	2X2	.10/2.5	.22/5.59	YES	-OBSOLETE
-503	2X3	.20/5.0	.32/8.13		
-504	2X4	.30/7.6	.42/10.67		
-505	2X5	.40/10.1	.52/13.21		
-506	2X6	.50/12.7	.62/15.75		
-507	2X7	.60/15.2	.72/18.27		
-508	2X8	.70/17.7	.82/20.83		
-509	2X9	.80/20.3	.92/23.37		
-510	2X10	.90/22.8	1.02/25.91		
-511	2X11	1.00/25.4	1.12/28.45		
-512	2X12	1.10/27.9	1.22/30.99		
-513	2X13	1.20/30.4	1.32/33.53		
-514	2X14	1.30/33.0	1.42/36.07		
-515	2X15	1.40/35.5	1.52/38.61		
-516	2X16	1.50/38.1	1.62/41.15		
-517	2X17	1.60/40.6	1.72/43.69		
-518	2X18	1.70/43.1	1.82/46.23		
-519	2X19	1.80/45.7	1.92/48.77		
-520	2X20	1.90/48.2	2.02/51.31		
-521	2X21	2.00/50.8	2.12/53.85		
-522	2X22	2.10/53.3	2.22/56.39		
-523	2X23	2.20/55.8	2.32/58.93		
-524	2X24	2.30/58.4	2.42/61.47		
-525	2X25	2.40/60.9	2.52/64.01		
-526	2X26	2.50/63.5	2.62/66.55		
-527	2X27	2.60/66.0	2.72/69.09		
-528	2X28	2.70/68.5	2.82/71.63		
-529	2X29	2.80/71.1	2.92/74.17		
-530	2X30	2.90/73.6	3.02/76.71		
-531	2X31	3.00/76.2	3.12/79.25		
-532	2X32	3.10/78.7	3.22/81.79		
-533	2X33	3.20/81.2	3.32/84.33		
-534	2X34	3.30/83.8	3.42/86.87		
-535	2X35	3.40/86.3	3.52/89.41		
-536	2X36	3.50/88.9	3.62/91.95		
-537	2X37	3.60/91.4	3.72/94.49		
-538	2X38	3.70/93.9	3.82/97.03		
-539	2X39	3.80/96.5	3.92/99.57		
68671-540	2X40	3.90/99.0	4.02/102.11	YES	



FCIconnect.com

Copyright FCI

mat'l. code		surface		tolerance		projection		product family	
-		ISO 1302 ✓		ISO 406 ISO 1101				CARD CONN	
ltr	ecn	no	dr	date	tolerances unless otherwise specified		title		
G					angles	linear	INCH/MM		2 x.100 HORIZ. CARD
					0°±2'	.xx±.01/.3	scale 4:1		CONNECTOR 50u" Au
						.xxx ±.005/.13	dwg no		
						.xxxx ±.0020/.051	sheet 5 of 6 size		68671 A3
					dr	W.COPENHEAVEN	9/06/84	type	
					enr	K. SINGH	10/31/84	Product Customer Drawing	
					chr	H. SUNDY	2/07/84		
					appd	C. WILLIAMS	10/31/04		
sheet index	revision sheet								



form: A3

PRODUCT NUMBER	NO. OF POS.	DIM. A	DIM. B	INSULATION PLUG	LEAD FREE OPTION
68671-541	2X41	4.00/101.6	4.12/104.65	YES	NOTE 4,5
-542	2X42	4.10/104.1	4.22/107.19		
-543	2X43	4.20/106.6	4.32/109.73		
-544	2X44	4.30/109.2	4.42/112.27		
-545	2X45	4.40/111.7	4.52/114.81		
-546	2X46	4.50/114.3	4.62/117.35		
-547	2X47	4.60/116.8	4.72/119.89		
-548	2X48	4.70/119.3	4.82/122.43		
-549	2X49	4.80/121.9	4.92/124.97		
-550	2X50	4.90/124.4	5.02/127.51		
-551	2X51	5.00/127.0	5.12/130.05		
-552	2X52	5.10/129.5	5.22/132.59		
-553	2X53	5.20/132.0	5.32/135.15		
-554	2X54	5.30/134.6	5.42/137.67		
-555	2X55	5.40/137.1	5.52/140.21		
-556	2X56	5.50/139.7	5.62/142.76		
-557	2X57	5.60/142.2	5.72/145.29		
-558	2X58	5.70/144.7	5.82/147.83		
-559	2X59	5.80/147.3	5.92/150.37		
-560	2X60	5.90/149.8	6.02/152.91		
-561	2X61	6.00/152.4	6.12/155.45		
-562	2X62	6.10/154.9	6.22/157.99		
-563	2X63	6.20/157.4	6.32/160.53		
-564	2X64	6.30/160.0	6.42/163.07		
68671-565	2X65	6.40/162.5	6.52/165.61	YES	

OBSOLETE

NOTE 4,5



FCJconnect.com

Copyright FCJ

mat'l. code		surface		tolerance		projection		product family	
-		ISO 1302 ✓		ISO 406 ISO 1101				CARD CONN	
ltr	ecn	no	dr	date		tolerances unless otherwise specified		title	
G						.XX±.01/.3 .XXX ±.005/.13 .XXX ±.0020/.051		2 x.100 HORIZ. CARD CONNECTOR 50u" Au	
				0'±2'		INCH/MM		scale 4:1	
				dr		W.COPENHEAVEN		9/06/84	
				enr		K. SINGH		10/31/84	
				chr		H. SUNDY		2/07/84	
				appd		C. WILLIAMS		10/31/04	
sheet index	revision sheet								



dwg no 68671 sheet 6 of 6 size A3  
type Product Customer Drawing