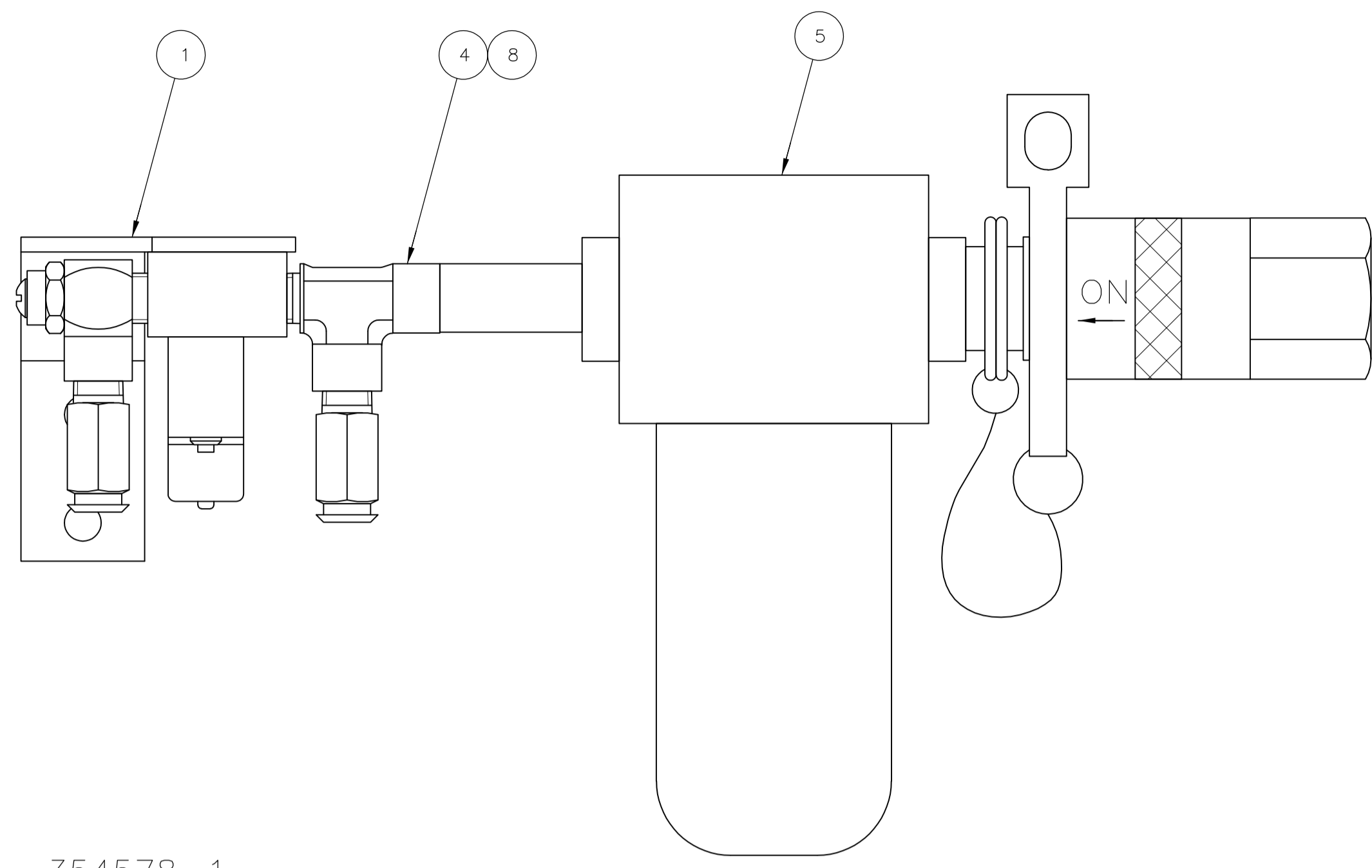
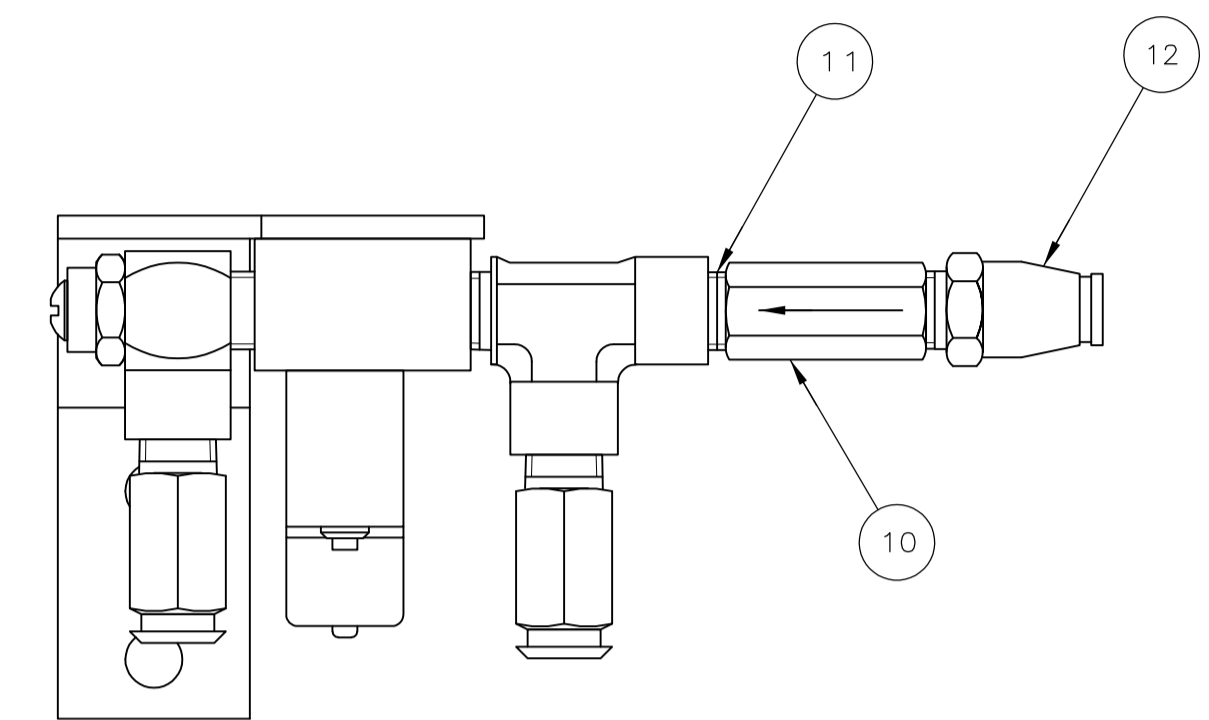


PART NUMBER	REV	FIRST USED
354578-1	F	354500-1
354578-2	G	-

THIS DRAWING IS A CONTROLLED DOCUMENT.

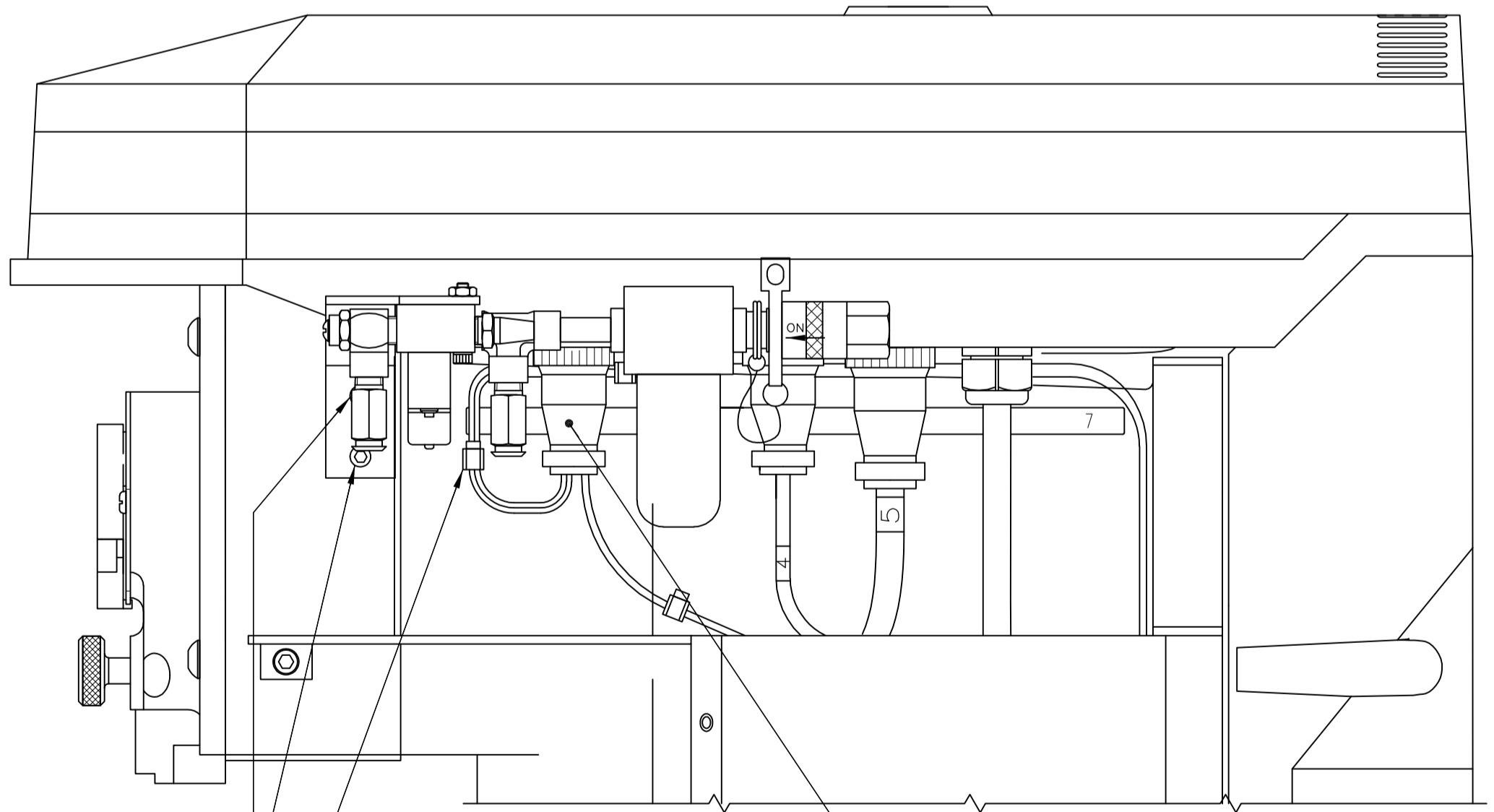


354578-1



354578-2

1. RECOMMENDED SPARE PARTS - NONE.
2. APPLY ITEM 6 TO ALL FITTINGS AS REQUIRED.
3. NOT SHOWN. SHIPPED LOOSE.
4. REMOVE BURRS, BREAK SHARP EDGES R.015 MAX UNLESS OTHERWISE SPECIFIED.

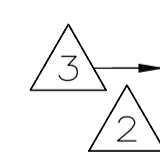


SCREWS TO MOUNT VALVE BRACKET
 VALVE CONNECTION
 CPC CONNECTOR

INSTALLATION INSTRUCTIONS:

1. LOCATE THE 2 POSITION CONNECTOR THAT COMES OUT OF THE INDICATED CPC CONNECTOR LOCATED NEAR THE FRONT OF PRESS.
2. ATTACH THE CONNECTOR TO THE VALVE.
3. ATTACH THE VALVE BRACKET TO THE PRESS USING 2 SCREWS.

QTY	REQD	PER ASSY	U/M	PART NO	DESCRIPTION	ITEM NO
1	-	-		980282-3	CONN,TUBE,MALE	12
1	-	-		22311-1	1/8 NPT NIPPLE	11
1	-	-		18273-1	VALVE,CHECK	10
1	1	-		354578	PRINT,AIR FEED ASSY	9
1	1	-		354579-1	VALVE ASSEMBLY	8
2	2	-		986941-4	SCR,LOCKING,SOCKET,M6 x 12mm	7
AR	AR	-		1-23419-1	SEALANT, LOCTITE	6
-	1	-		354589-1	FILTER ASSEMBLY	5
-	-	-		-	-	4
-	-	-		-	-	3
-	-	-		-	-	2
1	1	-		354585-1	BRACKET, VALVE	1
-2	-1	U/M		PART NO	DESCRIPTION	ITEM NO



DIMENSIONS: INCHES		TOLERANCES UNLESS OTHERWISE SPECIFIED:		DWN: M.YOUNGER		MATERIAL: -		HEAT TREAT: -	
0 PLC	± .	1 PLC	± .	CHK: -		APVD: S.LAWRUK		28MAY99	
2 PLC	± .	3 PLC	± .	NAME: S.LAWRUK		AIR FEED ASSEMBLY		TE Connectivity	
4 PLC	± .	SURFACE TEXTURE: √		SCALE: -		SIZE: A1		DRAWING NO: 354578	
G1 ECR-11-009734		5-2011		MY RK		SCALE: -		SIZE: A1	
P LTR		REVISION RECORD		DATE		DWN		APVD	
3308-8 (3/11)		8		7		6		5	
LOC: A		DIST: 33		SCALE: -		SIZE: A1		DRAWING NO: 354578	
3308-8 (3/11)		8		7		6		5	
3308-8 (3/11)		8		7		6		5	