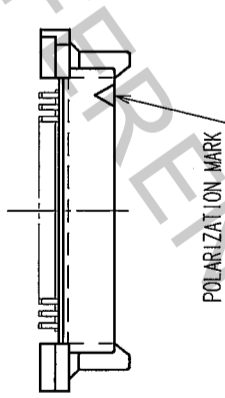
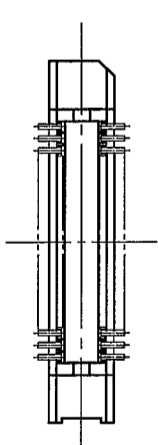
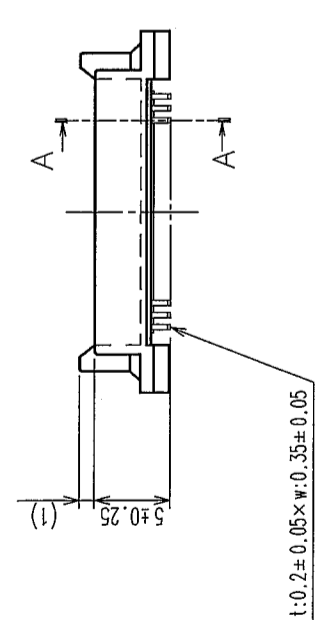
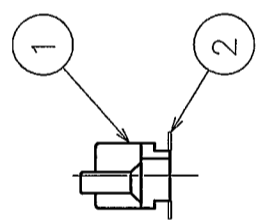
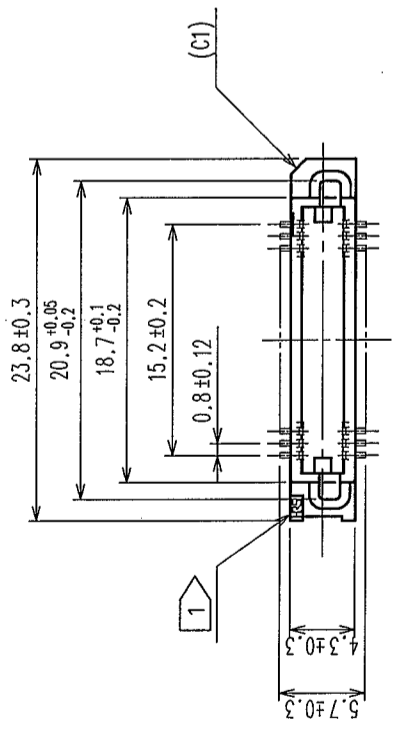
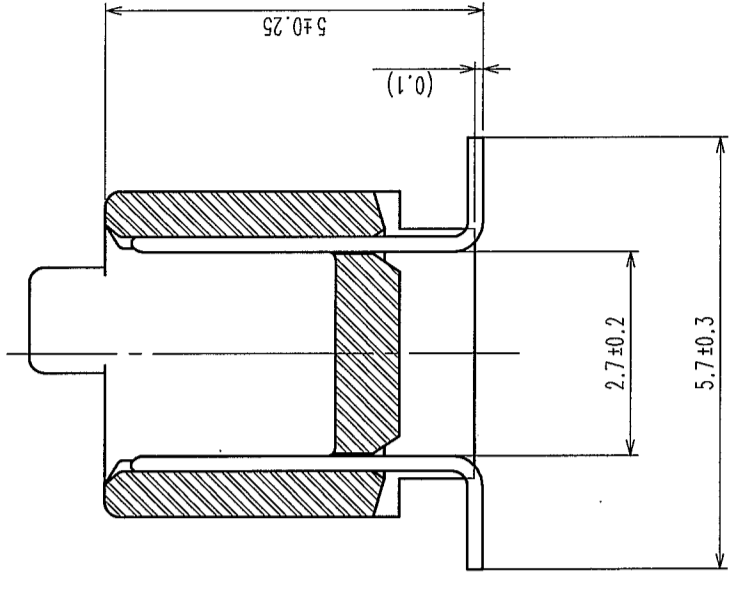


COUNT	DESCRIPTION OF REVISIONS	BY	CHKD	DATE	COUNT	DESCRIPTION OF REVISIONS	BY	CHKD	DATE

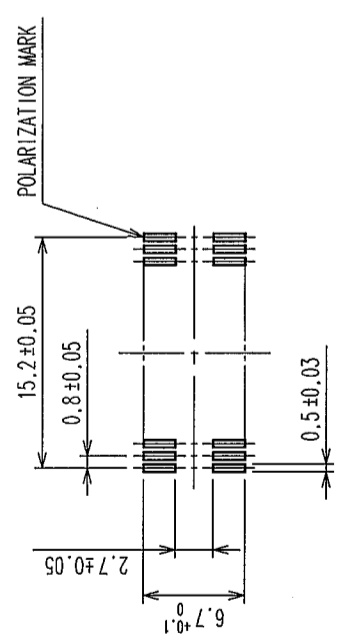


A-A(10:1)



- NOTE 1 HRS MARK SHALL BE OPTIONAL.  
 2 LEAD CO-PLANARITY SHALL BE 0.1mm MAX.  
 3 THE DIMENSIONS IN PARENTHESES ARE FOR REFERENCE.  
 4 EMBOSSED CARRIER TAPE PACKAGING SHALL BE APPLIED FOR THIS PRODUCT.  
 5 FOR MODIFICATION, ETC, PREVENTIVE HOLE FOR SINK MARK MAY BE ADDED ACCORDING TO CIRCUMSTANCES.

RECOMMENDED P.C.B. LAND PATTERN (MOUNT SIDE)

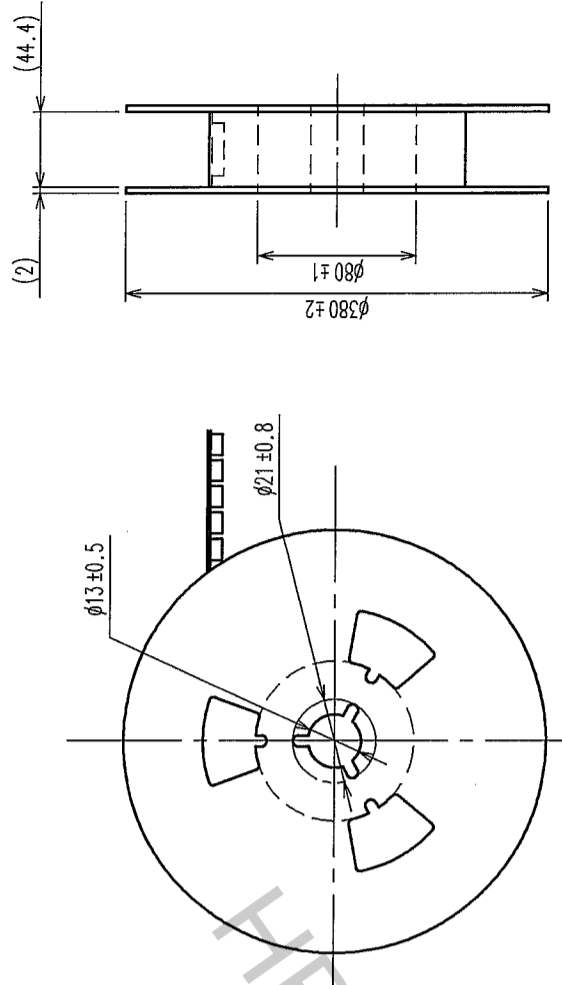
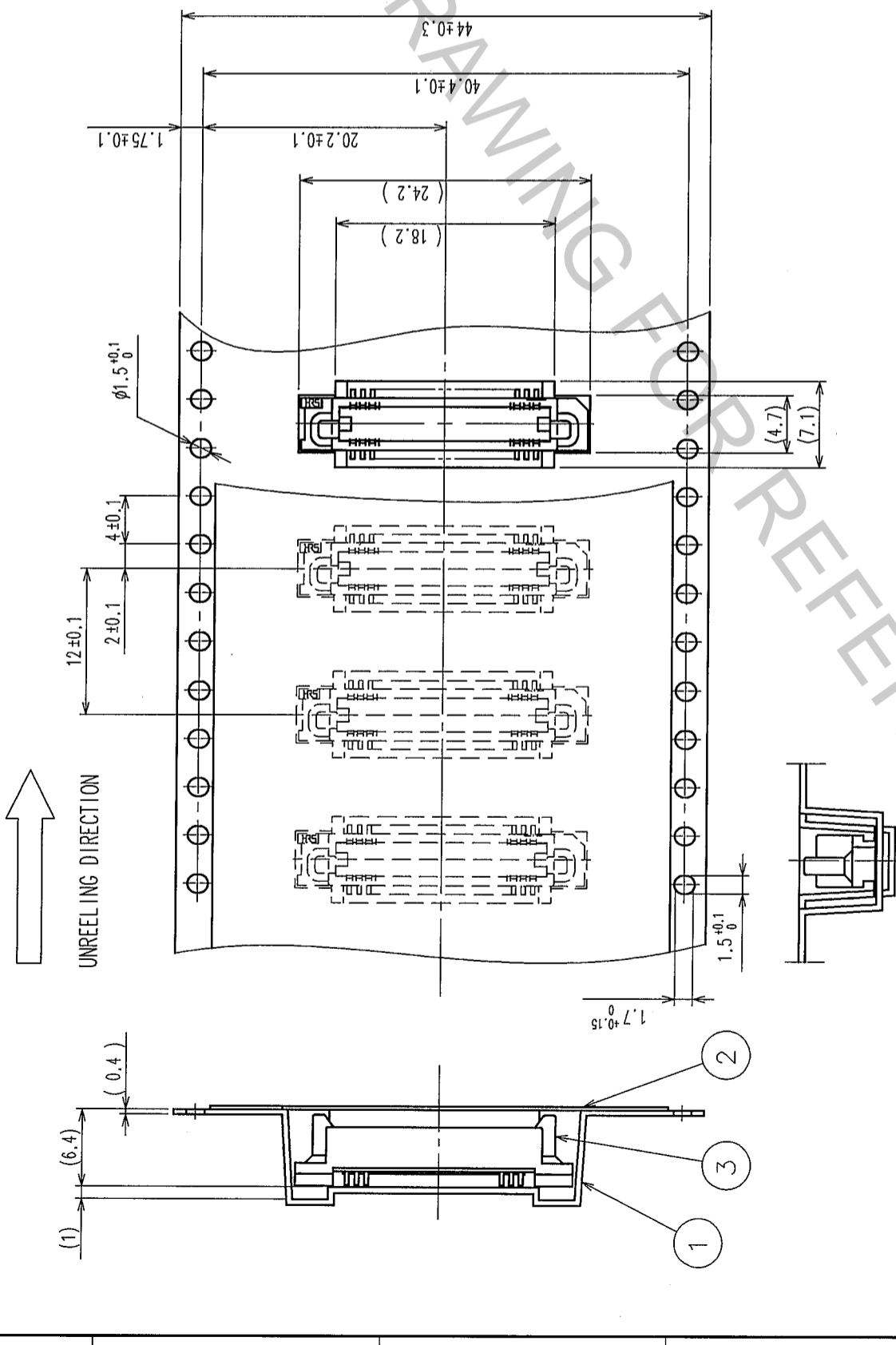


1	POLYPHENYLENE SULFIDE	LIGHT BROWN	UL94V-0			2	PHOSPHOR BRONZE		
NO.	MATERIAL	FINISH, REMARKS		DRAWN	DESIGNED	CHECKED	APPROVED	RELEASED	
				Y. AOYAGI	T. Mada	X. Ueyama	H. Okawa		
				'05.09.15	'05.09.26	'05.09.26	'05.09.26		
CODE NO. (OLD) CL				DRAWING NO. EDC3-071320-22		PART NO. FX6A-40P-0.8SV1(92)			
SCALE 2 : 1				UNITS mm		HRS HIROSE ELECTRIC CO., LTD		CODE NO. CL576-0223-5-92	

TO	

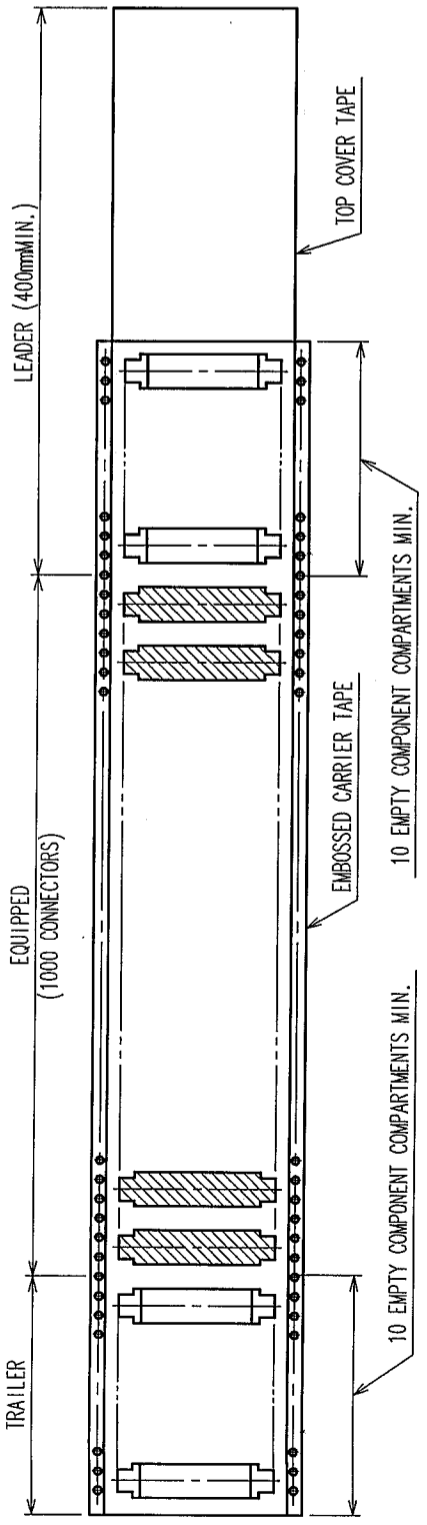
COUNT		DESCRIPTION OF REVISIONS	BY	CHKD	DATE	COUNT	DESCRIPTION OF REVISIONS	BY	CHKD	DATE

COUNT		DESCRIPTION OF REVISIONS	BY	CHKD	DATE



REEL DIMENSION (FREE)

NOTE 1 THE DIMENSIONS IN PARENTHESES ARE FOR REFERENCE.  
2 1 REEL: 1000 CONNECTORS.



2	POLYESTER	TOP COVER TAPE	3	(CONNECTOR)
1	POLYSTYRENE	EMBOSSED CARRIER TAPE	3	(CONNECTOR)
NO.	MATERIAL	FINISH, REMARKS	NO.	MATERIAL
CL	CL	CL	Y. AOYAGI	DESIGNED
			'05.09.15	CHECKED
			Y. Mada	APPROVED
			'05.09.26	RELEASED
			H. Okawa	
			'05.09.26	
DRAWING NO.		PART NO.		
EDC3-071320-22		FX6A-40P-0.8SV1(92)		
SCALE		CODE NO.		
2 : 1		CL576-0223-5-92		
UNITS		HIROSE ELECTRIC CO., LTD		
mm		HRS		