

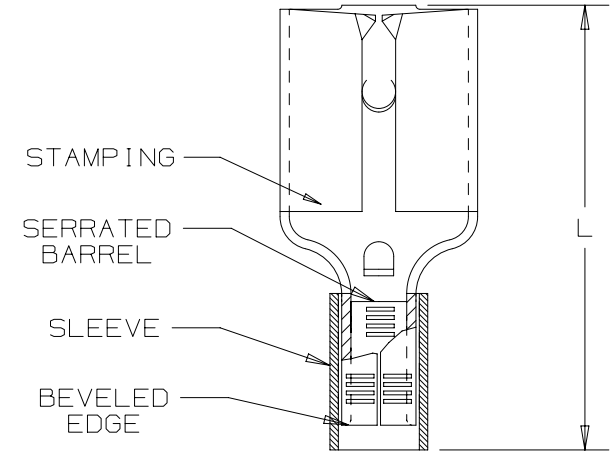
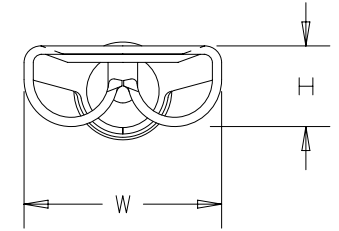
THIS COPY IS PROVIDED ON A RESTRICTED BASIS AND IS NOT TO BE USED IN ANY WAY DETRIMENTAL TO THE INTERESTS OF PANDUIT CORP.

| PANDUIT PART # | WIRE RANGE AWG [mm ²] | TAB SIZE INCH [mm] | DIMENSIONS in. [mm] | | |
|----------------|------------------------------------|---------------------------|-----------------------|----------------|----------------|
| | | | L± .03 [0,8] | W± .01 [0,3] | H± .01 [0,3] |
| ED18-188 | #22-18 [0,5-1,0] | .187 X .020 [4,8 X 0,5] | .58 [14,7] | .23 [5,8] | .10 [2,5] |
| ED14-188* | #16-14 [1,5-2,5] | .187 X .020 [4,8 X 0,5] | .58 [14,7] | .23 [5,8] | .10 [2,5] |

*UL RECOGNIZED ONLY

NOTES:

- UL LISTED AND CSA CERTIFIED FOR:
 - STRANDED COPPER WIRE ONLY
 - 302°F (150°C) MAX TEMP RATING
 - 2000V MAX VOLTAGE
- MATERIAL:
 - STAMPING: .016 (0.41) THK BRASS, TIN PLATED
 - SLEEVE: BRASS, TIN PLATED
- INSTALLATION TOOLS:
 - UL LISTED AND CSA CERTIFIED: CT-100A, CT-200, CT-570, CT-1570, CT-2457CH
 - UL RECOGNIZED: CT-100A, CT-200, CT-570, CT-1570, CT-2457CH
 - PANDUIT APPROVED: CT-160, CT-260
- WIRE STRIP LENGTH 9/32" ^{+1/32} ₋₀ [7.1mm ^{+0.8} ₋₀]
- FIRST INSERTION FORCE: 12 LB (53N) MAX
FIRST WITHDRAWAL FORCE: 12 LB (53N) MAX
6 LB (27N) MIN
- SEE WWW.PANDUIT.COM FOR PACKAGE QUANTITIES INDICATED BY PART NUMBER SUFFIX
- DIMENSIONS IN BRACKETS ARE METRIC EQUIVALENT



LISTED
20H3
E78522



CERTIFIED
LR31212



RECOGNIZED
E78522

| | | | | | | |
|--|-----------------|-------------|---------------------------------------|-------------------|--------------------|----------------|
| <p>TITLE</p> <p>STRONGHOLD FEMALE DISCONNECT (188 SERIES) NON-INSULATED, SLEEVED BARREL #22-14 AWG</p> <p>CUSTOMER DRAWING</p> | | | | | | |
| <p>ITEM REVISION NAME</p> <p>00123SHF/00</p> | | | | | | |
| <p>DATASET FILE NAME</p> <p>00123SHF/00</p> | | | | | | |
| <p>UNLESS OTHERWISE SPECIFIED, DIMENSIONAL TOLERANCES ARE: IN [mm]</p> <p>.x ± .1 [2.54] .xxx ± .005 [.127] .xx ± .01 [.25] ANGLES ± 5 °</p> | | | <p>MATERIAL:</p> <p>SEE NOTES</p> | | | |
| <p>DRAWING NUMBER:</p> <p>SH41305</p> | | | <p>DRAWING NUMBER:</p> <p>SH41305</p> | | | |
| <p>00</p> | <p>2/18</p> | <p>JHNU</p> | <p>TMR</p> | <p>RGB</p> | <p>RELEASED</p> | <p>00123SH</p> |
| <p>REV</p> | <p>DATE</p> | <p>BY</p> | <p>CHK</p> | <p>APR</p> | <p>DESCRIPTION</p> | <p>ECN</p> |
| <p>JHNU</p> | <p>02.07.18</p> | <p>TMR</p> | <p>N.T.S.</p> | <p>SHT 1 OF 1</p> | <p>A</p> | <p>A</p> |

D10100DA/20