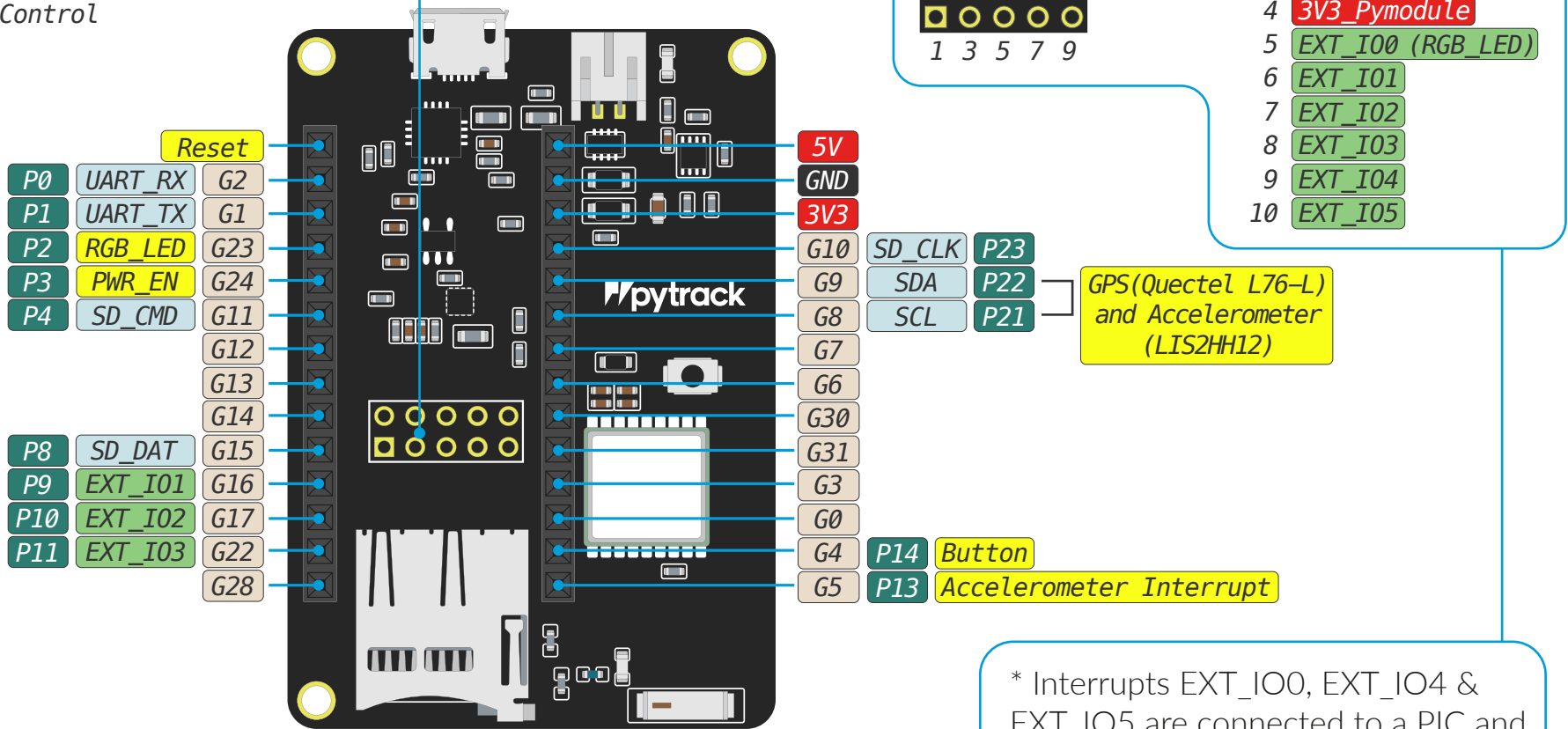


- Power
- GND
- Serial Pin
- External I/O Pin
- Control



* Interrupts EXT_IO0, EXT_IO4 & EXT_IO5 are connected to a PIC and are accessible via Pycom Libraries

Correct Board Mounting

RGB LED must be at the top of the board, above the USB connector

