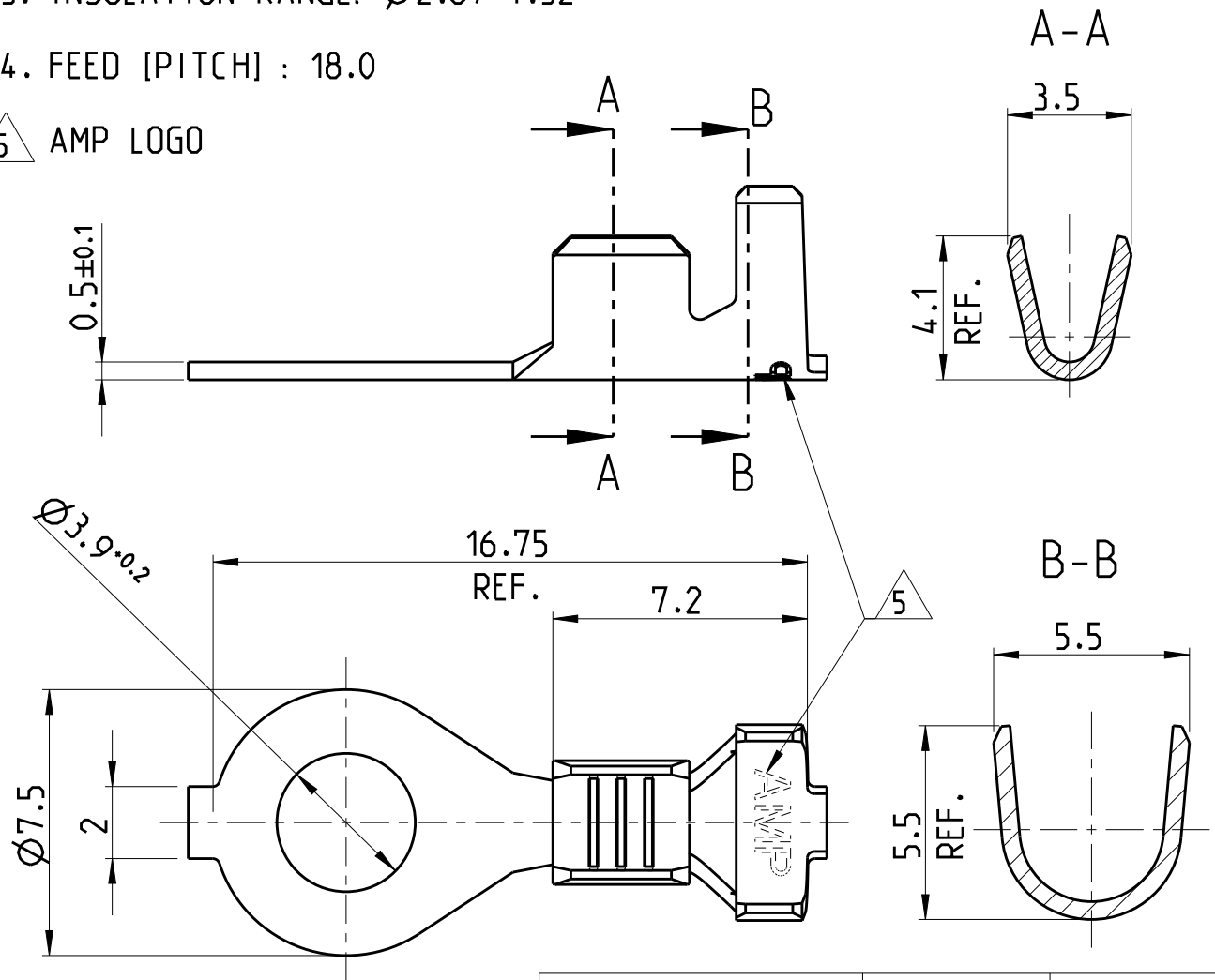


LOC	DIST	REVISIONS			
P	LTR	DESCRIPTION	DATE	DWN	APVD
IR	-	A	INITIAL RELEASE	28DEC 2012	PKS RRP
		A1	REVISED PER ECR-16-015261	28DEC 2016	RS TD

NOTES:


- CONTINUOUS STRIP ON REELS
- WIRE RANGE: 18-14 AWG [0.8-2.0 SQ.mm]
- INSULATION RANGE:  $\varnothing 2.67-4.32$
- FEED [PITCH] : 18.0

5 AMP LOGO



PRE-TIN; 1-3 $\mu$ m	BRASS	2178506-3
PRE-TIN; 1-3 $\mu$ m	BRASS	2178506-2
NONE	BRASS	2178506-1
FINISH	MATERIAL	PART NO

2012  
 RELEASED FOR PUBLICATION  
 ALL RIGHTS RESERVED.  
 THIS DRAWING IS UNPUBLISHED.  
 © COPYRIGHT 2012

DIMENSIONS: mm	DWN SETHIL 28DEC 2012	MATERIAL SEE TABLE	FINISH SEE TABLE
TOLERANCES UNLESS OTHERWISE SPECIFIED:	CHK SETHIL 28DEC 2012	 TE Connectivity	
0 PLC $\pm 0.2$	APVD RAJENDRA 28DEC 2012		
1 PLC $\pm 0.2$	PRODUCT SPEC	NAME RING TONGUE TERMINAL STUD DIA. 3.9; M3.5	
2 PLC $\pm 0.1$	APPLICATION SPEC	SIZE A 4	CAGE CODE 00779
3 PLC $\pm 0.05$	114-2084	DRAWING NO C-2178506	RESTRICTED TO -
4 PLC $\pm$	WEIGHT 0.4g approx.	SCALE 5:1	
ANGLES $\pm$	CUSTOMER DRAWING	SHEET 1	OF 1
		REV A1	