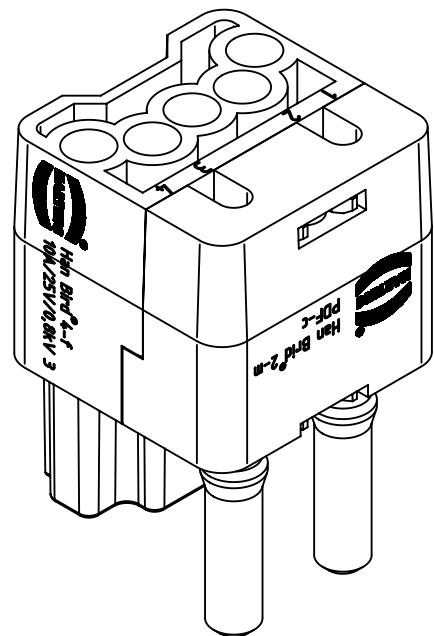


countersunk screw M3x6  
enclosed separately



	All Dimensions in mm Original Size DIN A4	Scale 2:1		Free size tol.		Ref.	
						Sub.	
	All rights reserved Department EL PD - DE	Created by	Inspected by	Standardisation	Date	State	
		FINKEV	SCHNIEDER	TIEMANNA	2014-02-17	Final Release	
HARTING Electric GmbH & Co. KG D-32339 Espelkamp		Title Han Brid-M + 2FOC-M				Doc-Key / ECM-Nr. 100205819/UGD/004/A 500000071208	
		Type TB	Number 09 12 004 2711			Rev. A	Page 1/1