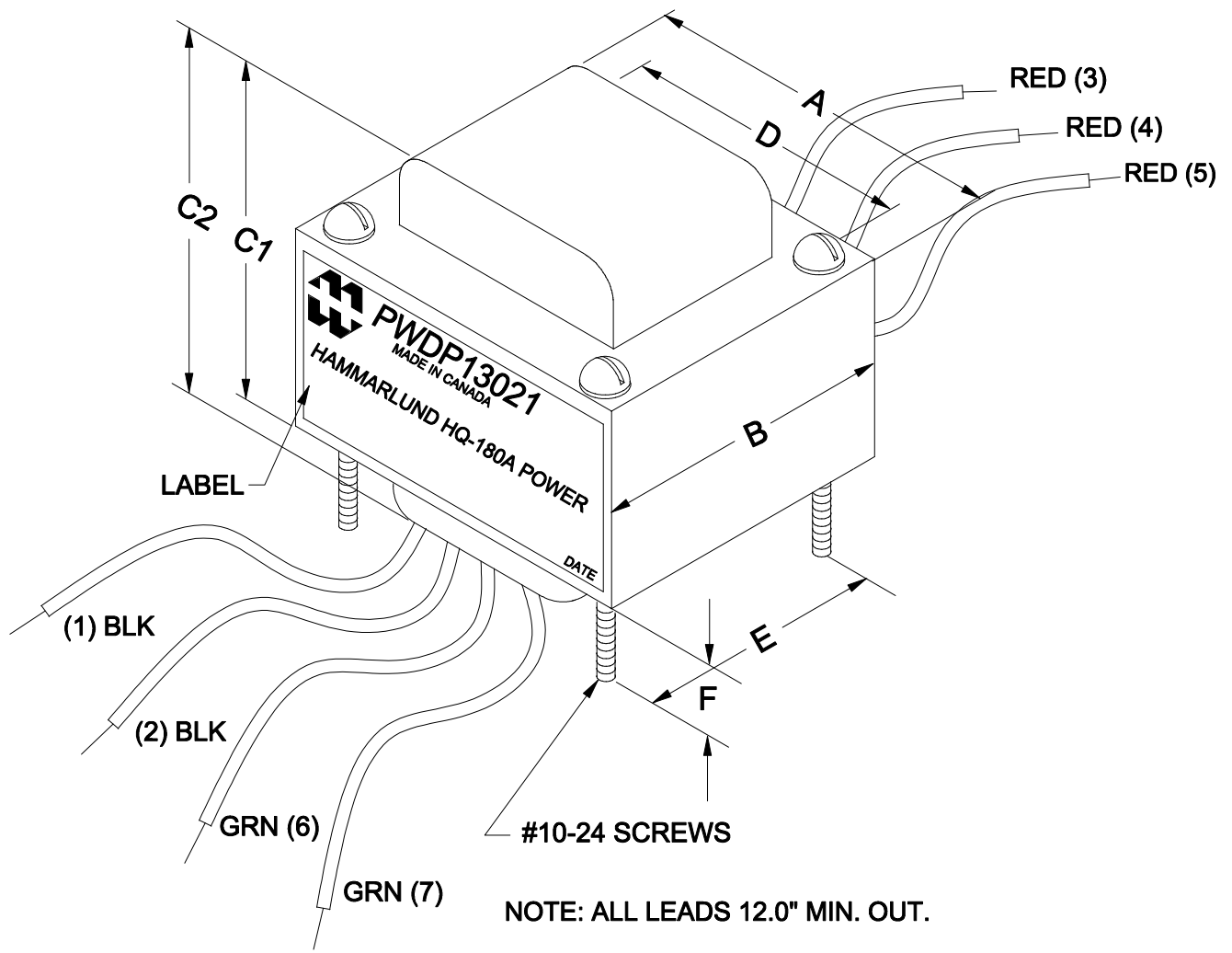
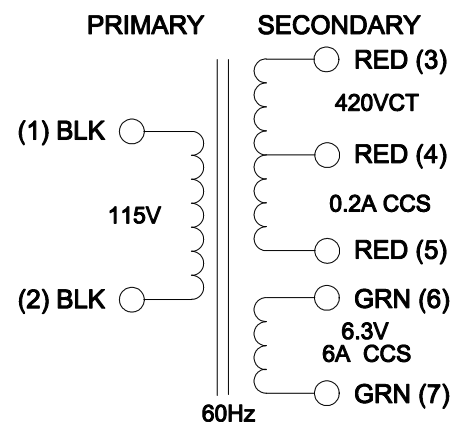


DIMENSIONS:	
A	3.750" ±0.063
B	3.125" ±0.063
C1	2.655" ±0.125
C2	3.530" ±0.125
D	3.125" ±0.063
E	2.500" ±0.063
F	1.500" ±0.250



**HAMMOND MANUFACTURING**  
 ELECTRONIC DIVISION  
 52 RANKIN PLACE,  
 WATERLOO, ONTARIO, N2J 3Z5  
 PH # (519) 886-6181  
 FAX # (519) 886-9540

TITLE PWDP13021

NO	DATE	REVISION	DWG. BY
0	05/21/14	RELEASED.	C.I. CORINA ILIE
			DATE
			05/12/14
			DIM IN( )MM( )

EDBPWDP13021