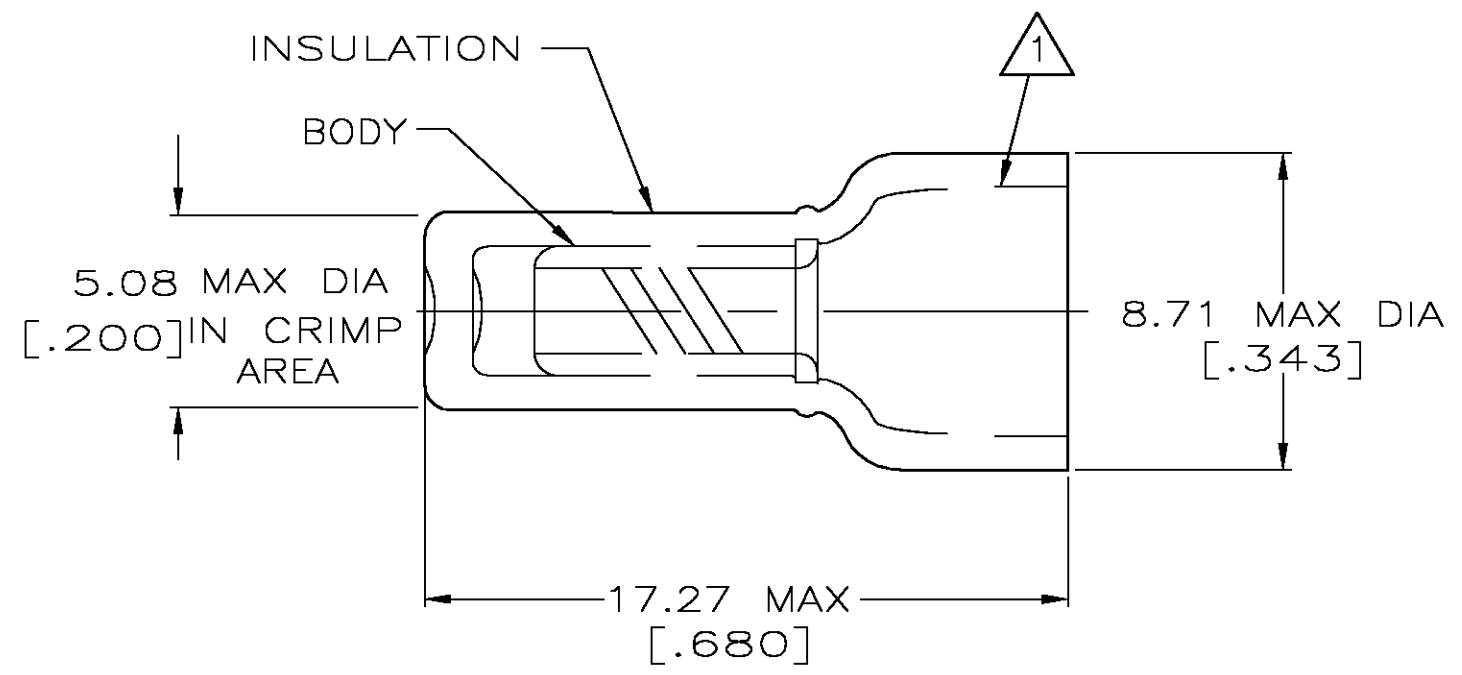
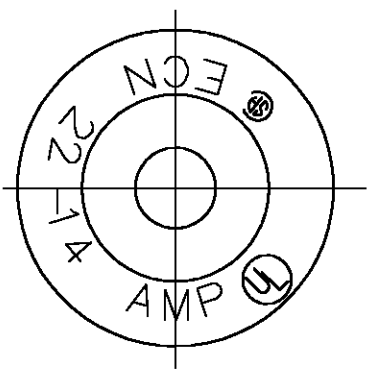


THIS DRAWING IS UNPUBLISHED. RELEASED FOR PUBLICATION  
 © COPYRIGHT BY TYCO ELECTRONICS CORPORATION. ALL RIGHTS RESERVED.

LOC	DIST	REVISIONS			
P	LTR	DESCRIPTION	DATE	DWN	APVD
G	14				
	D	REV PER 0G3A-0256-04	08APR04	JR	TM

<b>AMP</b> WIRE RANGE	Listed	LR7189 Certified
22-14 AWG SOLID OR STRANDED	22-14 AWG SOLID OR STRANDED	22-14 AWG SOLID OR STRANDED

- △1 FOR 6.35 [.250] MAX WIRE INSULATION DIA.
- △2 MATERIAL: BODY: COPPER  
INSULATION: NYLON  
COLOR: BLACK
- △3 BODY: TIN PER ASTM B-545
- △4 PRELIMINARY - NOT FOR PRODUCTION



2500	TAPE MOUNTED	1-55927-0	△4
1000	LOOSE PIECE	55927-1	
QTY	DESCRIPTION	PART NO	

**AMP INCORPORATED**  
CUSTOMER SERVICE SYSTEMS

FOR ADDITIONAL PRODUCT INFORMATION OR COPIES OF DRAWINGS AND TECHNICAL DOCUMENTS  
 PRODUCT INFORMATION CENTER  
 1-800-522-6752

FOR APPLICATION TOOLING INFORMATION  
 TOOLING ASSISTANCE CENTER  
 1-800-722-1111

FOR ORDER ENTRY  
 1-800-526-5142

MAX RECOMMENDED OPERATING TEMPERATURE:  
150° C

VOLTAGE RATING:  
300V MAX

CIRCULAR MIL AREA:  
0.26-2.62mm<sup>2</sup>[509-5180]  
SOLID OR STRANDED

THIS DRAWING IS A CONTROLLED DOCUMENT.

DIMENSIONS: INCHES

TOLERANCES UNLESS OTHERWISE SPECIFIED:

0 PLC	± -
1 PLC	± -
2 PLC	± 0.20[.008]
3 PLC	± -
4 PLC	± -
ANGLES	± -
FINISH	± -

MATERIAL - △2

DWN G KRUPER 1/93  
 CHK R HERSEY 1/93  
 APVD T MICHELUTTI 1/93

**tyco Electronics** Tyco Electronics Corporation  
 Harrisburg, PA 17105

NAME: SPLICE, WIRE, CLOSED END

SIZE: A3 CAGE CODE: 00779 DRAWING NO: C-55927 RESTRICTED TO: -

WEIGHT: -

CUSTOMER DRAWING SCALE: 2:1 SHEET: 1 OF 1 REV: D