

ME 35 UT/FE GN

Order No.: 2907211

Illustration shows a fully mounted version of the electronic housing

<http://eshop.phoenixcontact.de/phoenix/treeViewClick.do?UID=2907211>

Lower part of housing, fully assembled, with integrated functional earth ground contact, and metal foot catch.

Commercial data	
EAN	4017918131432
Pack	10 pcs.
Customs tariff	85369010
Weight/Piece	0.06359 KG
Catalog page information	Page 575 (CC-2009)

Product notesWEEE/RoHS-compliant since:
04/01/2005

<http://www.download.phoenixcontact.com>
Please note that the data given here has been taken from the online catalog. For comprehensive information and data, please refer to the user documentation. The General Terms and Conditions of Use apply to Internet downloads.

Technical data	
General	
Housing type	Component housing
Housing material	Polyamide
Color	green

Dimensions / positions

Length	99 mm
Width	35 mm
Number of positions	24

Technical data

Ambient temperature (operation)	-40 °C ... 105 °C
Inflammability class acc. to UL 94	V0
Power dissipation at 20°C in the horizontal mounting position	7.9 W 16.3 W

Accessories

Item	Designation	Description
Assembly		
2908265	ME 35 UTM	Intermediate element for modular extension of the volume of the housing in the pitch. The open intermediate element is 17.5 mm wide.
2908265	ME 35 UTM	Intermediate element for modular extension of the volume of the housing in the pitch. The open intermediate element is 17.5 mm wide.
2908275	ME 35 UTMG	Intermediate element for modular extension of the volume of the housing in the pitch. The closed intermediate element is 17.5 mm wide.
2906885	ME B-17,5 MKDSO GN	Filler plugs for unoccupied terminal points
2906869	ME B-17,5 MSTBO GN	Cover caps, for unoccupied terminal points
2906911	ME LPZS	PCB stop, for soldering onto PCB
2906911	ME LPZS	PCB stop, for soldering onto PCB
2908281	ME MF 17,5	Metal foot catch, for intermediate elements.
2908281	ME MF 17,5	Metal foot catch, for intermediate elements.
2853899	ME-SAS	Shield connection clamp for printed circuit terminal block

General

2906908	ME LP	PCB, for custom fitting, with contact to DIN rail (EN 60715)
---------	-------	--

Plug/Adapter

1734634	CP-MSTB	Keying profile, is inserted into the slot on the plug or inverted header, red insulating material
1734401	CR-MSTB	Coding section, inserted into the recess in the header or the inverted plug, red insulating material
2908294	ME FE-CONTACT	Functional earth ground contact, for intermediate elements.

2908294	ME FE-CONTACT	Functional earth ground contact, for intermediate elements.
---------	---------------	---

Additional products

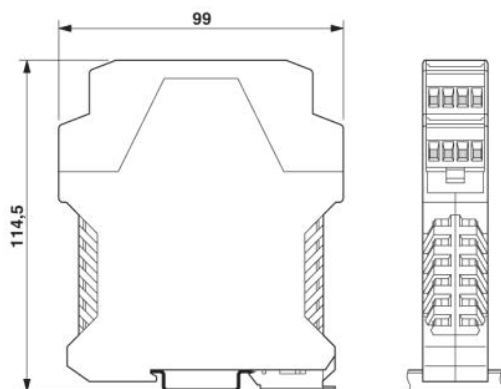
Item	Designation	Description
------	-------------	-------------

Assembly

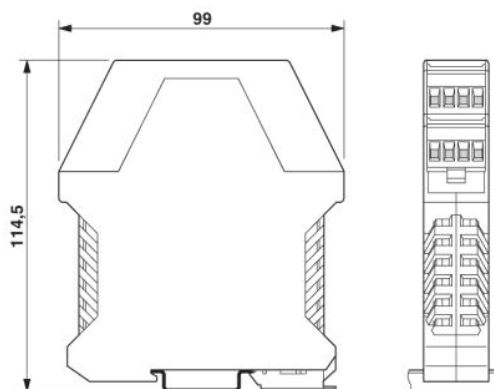
2906843	ME 17,5 OT-MKDSO GN	Housing upper part, for printed circuit terminal block connection
2907460	ME 17,5 OT-MKDSO SET	Housing upper part, complete with PCB termination blocks for full equipping. 12-pos., housing width: 17.5 mm
2906827	ME 17,5 OT-MSTBO GN	Upper part of housing, for COMBICON connection, double-level
2907431	ME 17,5 OT-MSTBO SET	Housing upper part, complete with COMBICON headers and screw connectors for full mounting of components. 12-pos., housing width: 17.5 mm

Diagrams/Drawings

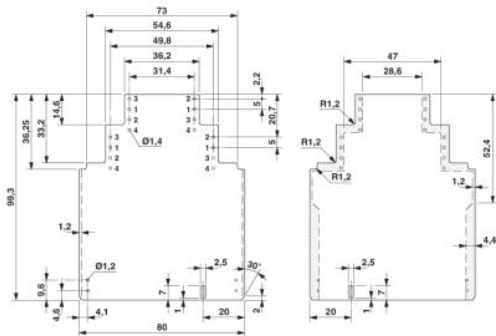
Dimensioned drawing



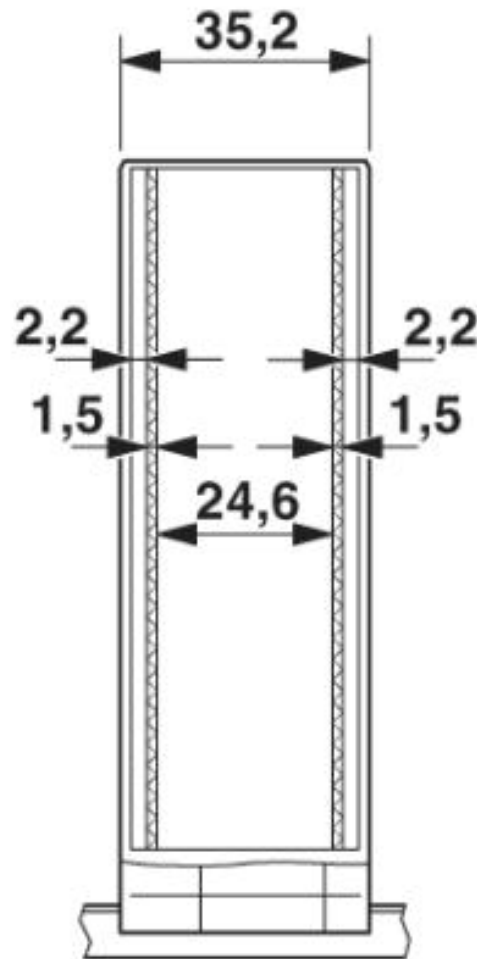
Dimensions of the electronic housing ME... with double-level upper part



Dimensions of the electronic housing ME... with double-level upper part



Dimensional drawing of the ME... printed circuit board if the double level upper part is used



Inner housing dimensions, electronic housing ME 35 ...

Address

PHOENIX CONTACT Inc., USA
586 Fulling Mill Road
Middletown, PA 17057, USA
Phone (800) 888-7388
Fax (717) 944-1625
<http://www.phoenixcon.com>



© 2010 Phoenix Contact
Technical modifications reserved;