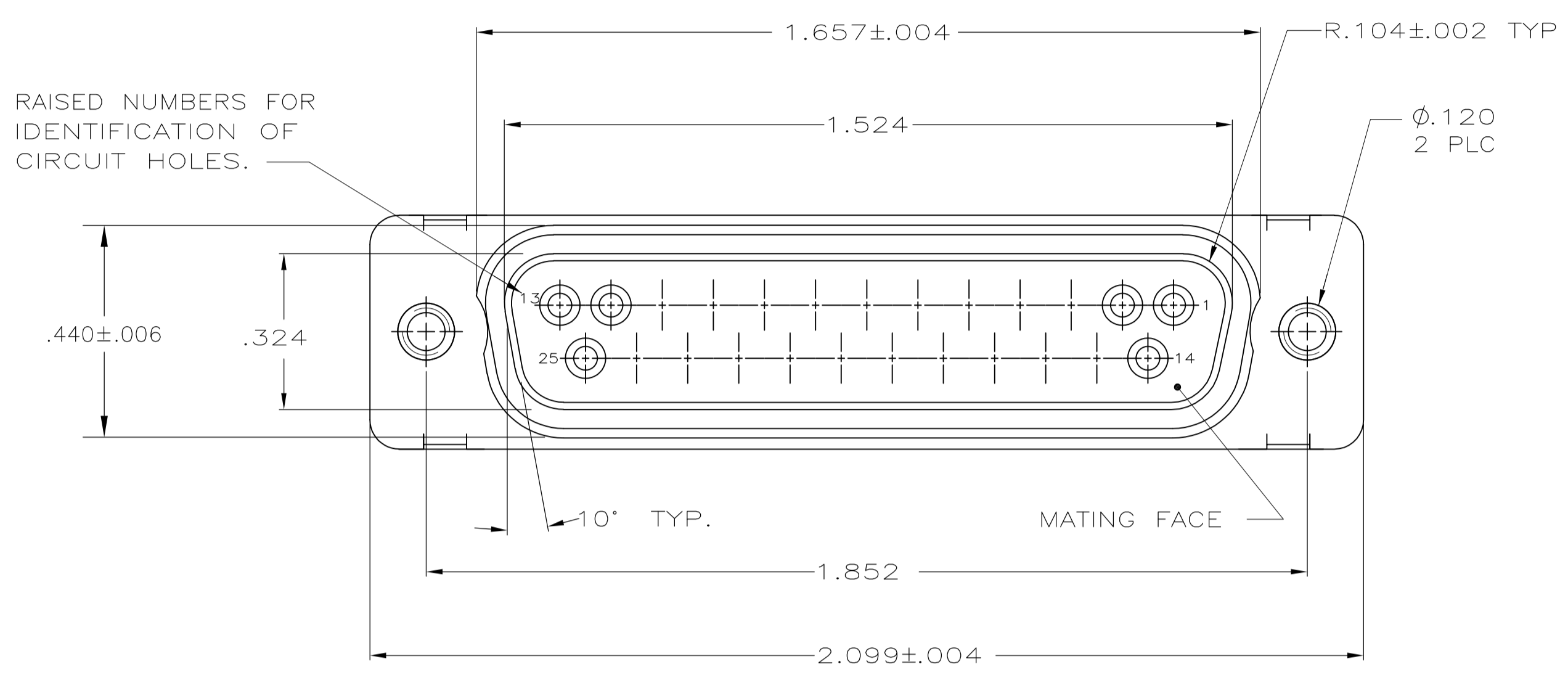
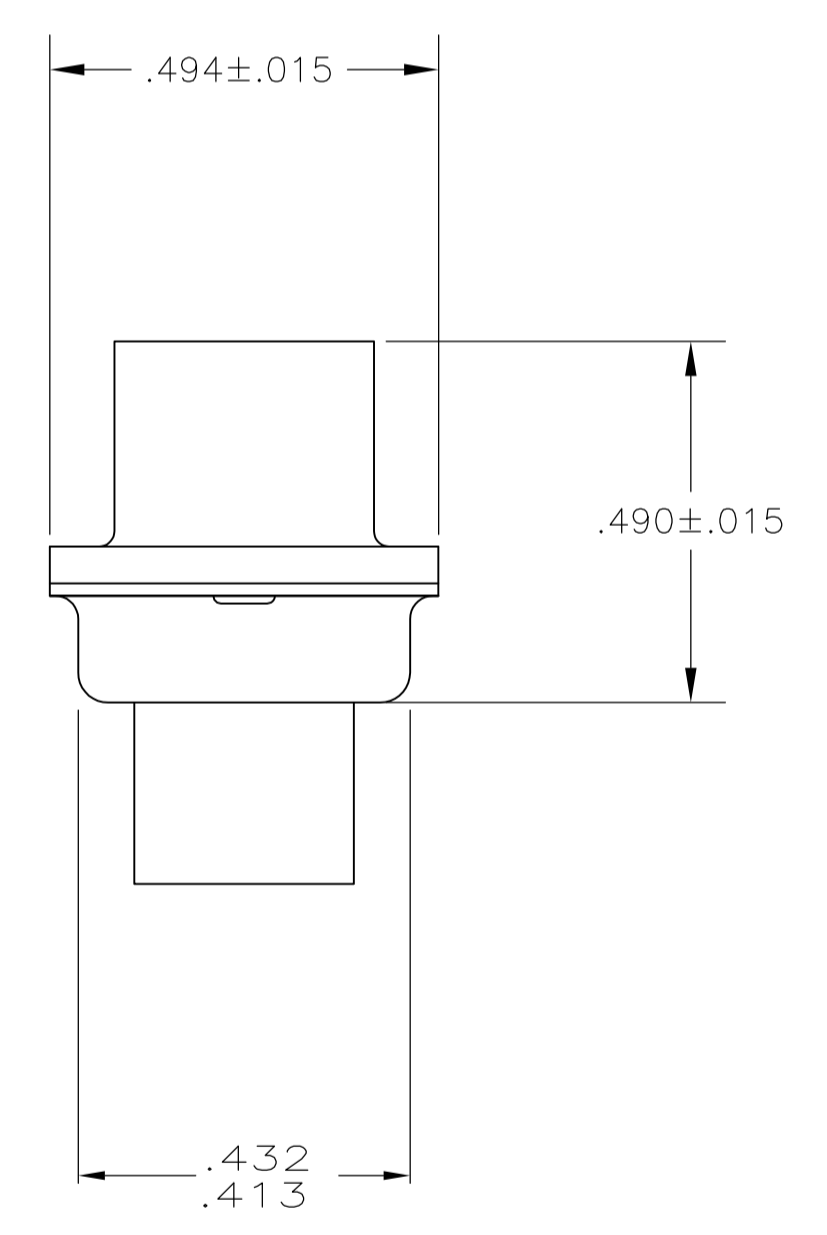
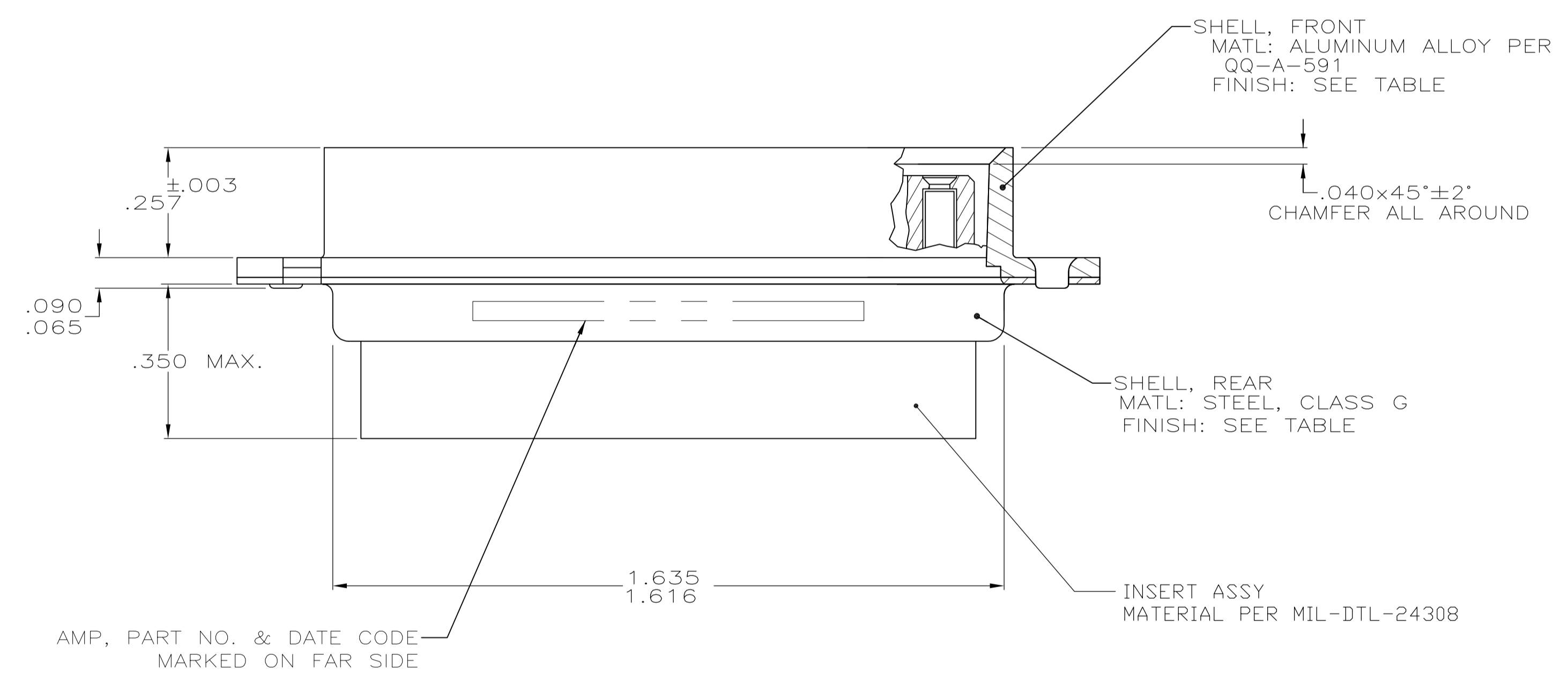


LOC		DIST		REVISIONS			
P	LTR	DESCRIPTION	DATE	DM	APVD		
C		REV PER ECO 15-005916	5-29-15	CT	DM		



1. MAXIMUM WIRE INSULATION TO BE USED WITH THIS PLUG IS .068 DIA.
2. SST RETENTION CLIPS ARE INCLUDED IN INSERTS.
3. THIS PLUG WILL ACCEPT SIZE 20 SOCKET CONTACT M39029/63-368 OR AMP PART NUMBER 205090-1.
4. FINISH: CADMIUM PER QQ-P-416; YELLOW CHROMATE.
5. FINISH: ZINC PLATED PER ASTM-B-633 .000200 MIN THK WITH SUPPLEMENTARY CHROMATE (Cr3+).



5	5-1484950-1
4	1484950-1
FINISH	PART NO.

THIS DRAWING IS A CONTROLLED DOCUMENT.

DIMENSIONS: INCHES	TOLERANCES UNLESS OTHERWISE SPECIFIED:	DIN C.C.THOMAS 8-28-02	8-28-02	TE Connectivity																																														
<table border="1"> <tr><td>0 PLC</td><td>± -</td></tr> <tr><td>1 PLC</td><td>± -</td></tr> <tr><td>2 PLC</td><td>± -</td></tr> <tr><td>3 PLC</td><td>± .005</td></tr> <tr><td>4 PLC</td><td>± -</td></tr> <tr><td>ANGLES</td><td>± # 0° 30'</td></tr> </table>	0 PLC	± -	1 PLC		± -	2 PLC	± -	3 PLC	± .005	4 PLC	± -	ANGLES	± # 0° 30'	<table border="1"> <tr><td>APVD</td><td>D.MILLER 8-28-02</td></tr> <tr><td>NAME</td><td>D.MILLER</td></tr> <tr><td>PRODUCT SPEC</td><td></td></tr> <tr><td>APPLICATION SPEC</td><td></td></tr> </table>	APVD	D.MILLER 8-28-02	NAME	D.MILLER	PRODUCT SPEC		APPLICATION SPEC		<table border="1"> <tr><td>SIZE</td><td>A1</td></tr> <tr><td>CAGE CODE</td><td>00779</td></tr> <tr><td>DRAWING NO.</td><td>1484950</td></tr> <tr><td>RESTRICTED TO</td><td></td></tr> </table>	SIZE	A1	CAGE CODE	00779	DRAWING NO.	1484950	RESTRICTED TO		<table border="1"> <tr><td>DATE</td><td>8-28-02</td></tr> <tr><td>CHK</td><td>D.MILLER</td></tr> <tr><td>APPD</td><td>D.MILLER</td></tr> <tr><td>NAME</td><td>D.MILLER</td></tr> <tr><td>PRODUCT SPEC</td><td></td></tr> <tr><td>APPLICATION SPEC</td><td></td></tr> </table>	DATE	8-28-02	CHK	D.MILLER	APPD	D.MILLER	NAME	D.MILLER	PRODUCT SPEC		APPLICATION SPEC		<table border="1"> <tr><td>SCALE</td><td>4:1</td></tr> <tr><td>SHEET</td><td>1 of 1</td></tr> <tr><td>REV</td><td>C</td></tr> </table>	SCALE	4:1	SHEET	1 of 1	REV
0 PLC	± -																																																	
1 PLC	± -																																																	
2 PLC	± -																																																	
3 PLC	± .005																																																	
4 PLC	± -																																																	
ANGLES	± # 0° 30'																																																	
APVD	D.MILLER 8-28-02																																																	
NAME	D.MILLER																																																	
PRODUCT SPEC																																																		
APPLICATION SPEC																																																		
SIZE	A1																																																	
CAGE CODE	00779																																																	
DRAWING NO.	1484950																																																	
RESTRICTED TO																																																		
DATE	8-28-02																																																	
CHK	D.MILLER																																																	
APPD	D.MILLER																																																	
NAME	D.MILLER																																																	
PRODUCT SPEC																																																		
APPLICATION SPEC																																																		
SCALE	4:1																																																	
SHEET	1 of 1																																																	
REV	C																																																	
MATERIAL: SEE CALLOUTS	FINISH: SEE CALLOUTS	WEIGHT: -	SIZE: A1	TE Connectivity PLUG ASSEMBLY,AMPLIMITE 25 POSN,SIZE 3, SERIES 109 BLINDMATE, REVERSE GENDER																																														
CUSTOMER DRAWING																																																		