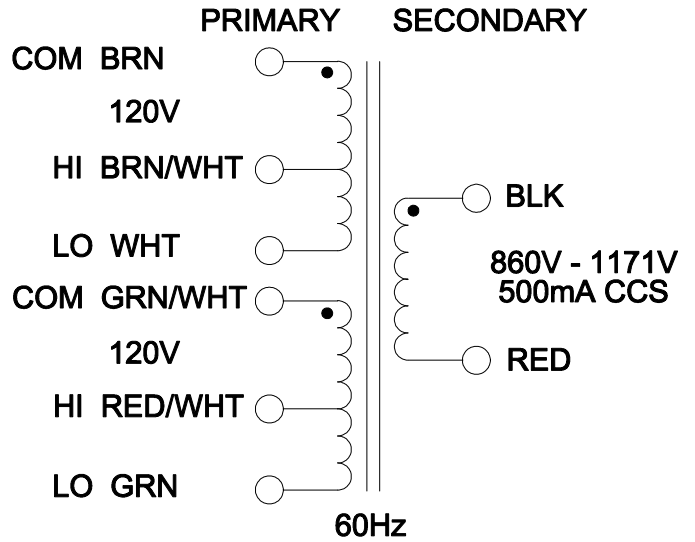
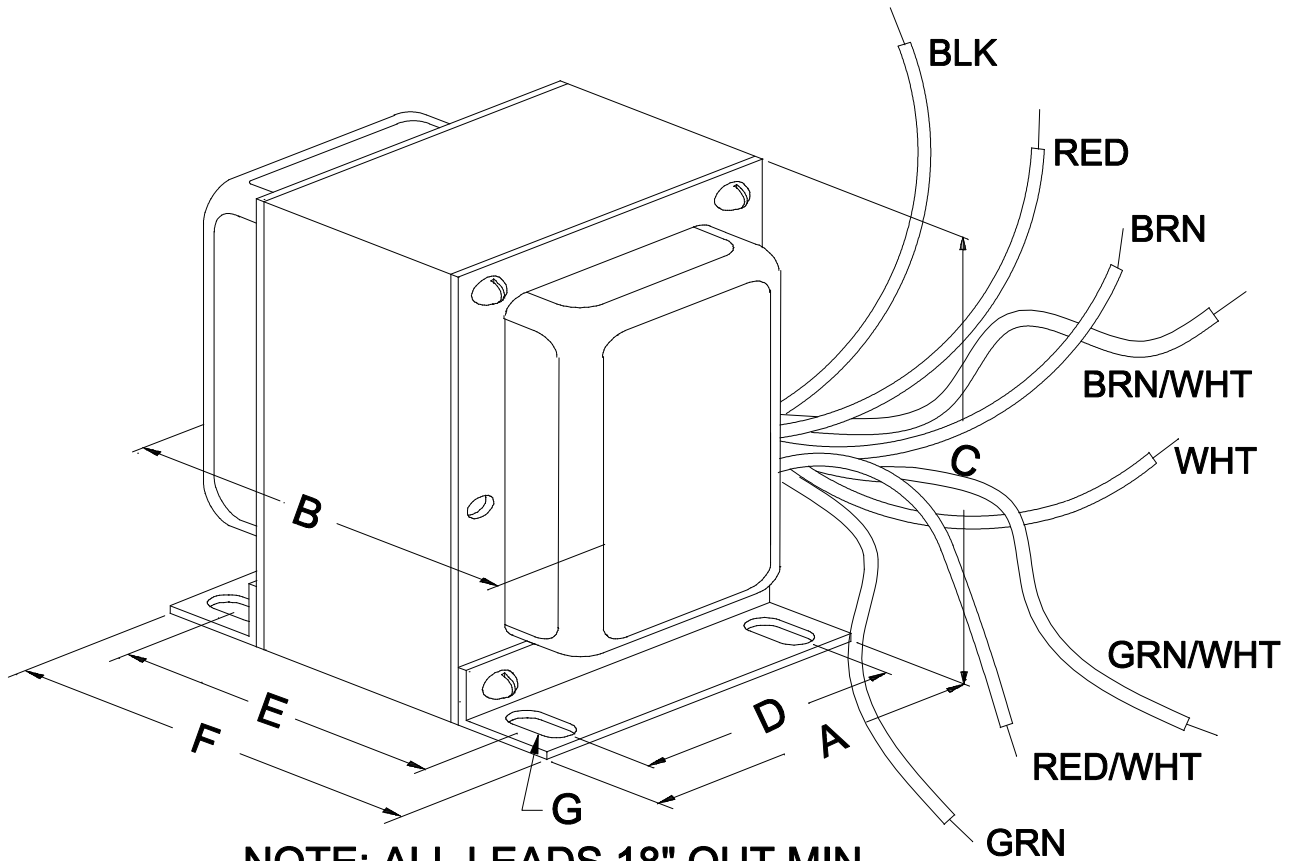


PWDP13034

DIMENSIONS:	
A	4.375" ±0.063
B	5.875" ±0.125
C	5.250" ±0.063
D	3.563" ±0.063
E	4.500" ±0.063
F	5.250" ±0.063
G	0.250" X 0.375" ±0.015



11 **PWDP13034**
HEATH SB-220 ORIGINAL
 PRI: 117V/234V 60Hz
 PRI #1: BRN: COM; BRN/WHT: HI; WHT: LO
 PRI #2: GRN/WHT: COM; RED/WHT: HI; GRN: LO
 SEC: BLK-RED: 860V - 1171V 500mA CCS
 MADE IN CANADA DATE



NOTE: ALL LEADS 18" OUT MIN.

11 **HAMMOND**
MANUFACTURING™

ELECTRONIC DIVISION
 52 RANKIN PLACE,
 WATERLOO, ONTARIO, N2J 3Z5
 PH # (519) 886-6181
 FAX # (519) 886-9540

TITLE

HEATH SB-220
 FACTORY ORIGINAL

NO	DATE	REVISION	DWG. BY
0	09/18/14	RELEASED. C.I.	CORINA ILIE
			DATE
			09/18/14
			DIM IN(×)MM()

PWDP13034