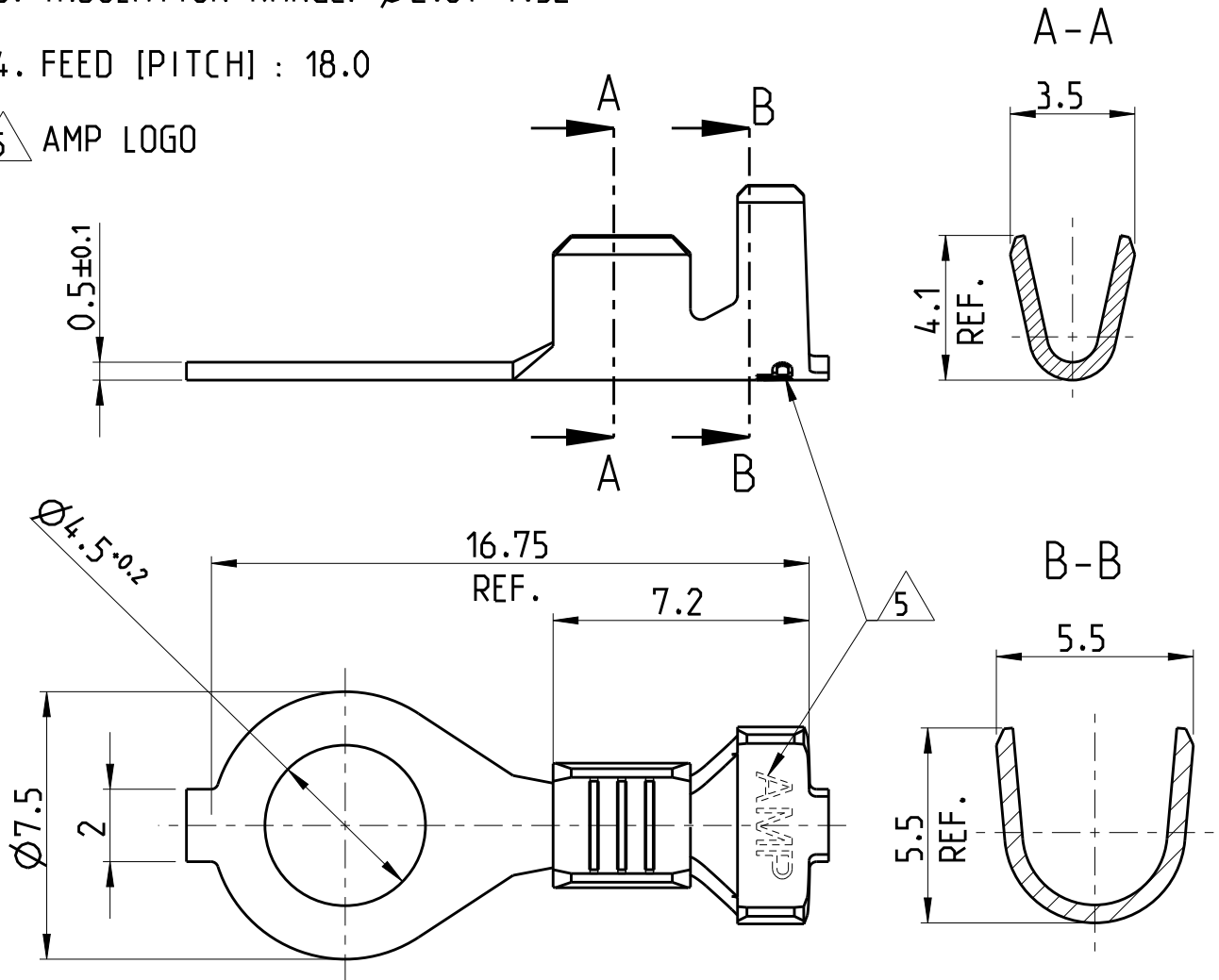


LOC	DIST	REVISIONS			
P	LTR	DESCRIPTION	DATE	DWN	APVD
IR	-	A	INITIAL RELEASE	28DEC 2012	PKS RRP

NOTES:

1. CONTINUOUS STRIP ON REELS
2. WIRE RANGE: 18-14 AWG [0.8-2.0 SQ.mm]
3. INSULATION RANGE: $\varnothing 2.67-4.32$
4. FEED [PITCH] : 18.0

5 AMP LOGO



PRE-TIN; 1-3 μ m	BRASS	2178505-3
FINISH	MATERIAL	PART NO

2012
 RELEASED FOR PUBLICATION
 ALL RIGHTS RESERVED.
 COPYRIGHT 2012

DIMENSIONS: mm	DWN SENTHIL	28DEC 2012	MATERIAL	SEE TABLE	FINISH	SEE TABLE
	CHK SENTHIL	28DEC 2012				
TOLERANCES UNLESS OTHERWISE SPECIFIED:	APVD RAJENDRA	28DEC 2012				
	0 PLC ± 0.2 1 PLC ± 0.2 2 PLC ± 0.1 3 PLC ± 0.05 4 PLC \pm ANGLES \pm	PRODUCT SPEC	-	RING TONGUE TERMINAL STUD DIA. 4.5; M4		
	APPLICATION SPEC	114-2084	SIZE	A 4	CAGE CODE	C-2178505
	WEIGHT	0.4g approx.	DRAWING NO		RESTRICTED TO	
	Customer Drawing		SCALE	5:1	SHEET	1 OF 1
					REV	A