

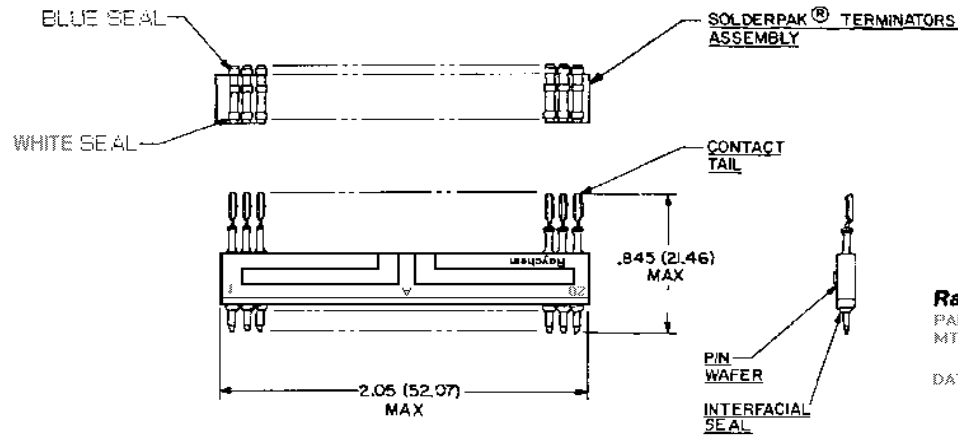
4

3

2

1

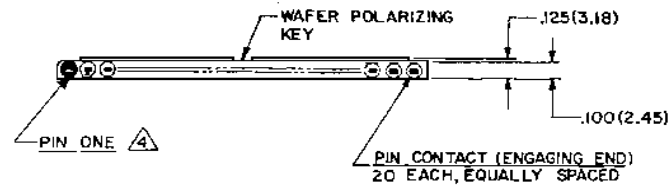
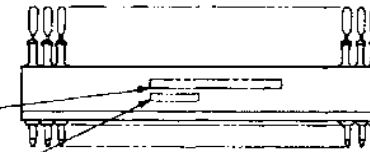
REVISIONS				
ZONF	LTR	DESCRIPTION	DATE	APPROVED
	A	REVISED PER ECM T.		



**Raychem**

PART NO.  
MTC100-JA2-P31-T29

DATE CODE



$\triangle$  5 WEIGHT (MAX) : 

LBS.	GRAMS
.0090	4.08

$\triangle$  4 PIN ONE : PIN NUMBER ONE MARKED IN CONTRASTING COLOR ON INTERFACIAL SEAL.

3. WAFER : WAFER MEETS THE REQUIREMENTS OF RAYCHEM SPECIFICATION D-6011.

2. FINISH :

2-A PIN WAFER;	FINISH TO BE AS MOLDED.
2-B PIN CONTACT; (ENGAGING END)	GOLD PLATE PER MIL-G-45204, CLASS 1.
2-C CONTACT TAIL;	COATED WITH SOLDER PER QQ-S-571.

1. MATERIAL :

1-A PIN WAFER;	HIGH GRADE POLYARYLENE THERMO-PLASTIC.
1-B PIN CONTACT;	COPPER ALLOY PER QQ-B-613 OR QQ-C-502.
1-C INTERFACIAL SEAL;	SILICONE ELASTOMER PER MIL-R-2598B.
1-D SOLDERPAK® TERMINATORS ASSY;	REFER TO RAYCHEM DWG. CTA-0227 FOR DATA.

**NOTES**

If this document is printed it becomes uncontrolled.  
Check with the web for latest revision.

DO NOT SCALE THIS DRAWING

**SPECIFICATION CONTROL DRAWING**

© Raychem Corporation 1981

UNLESS OTHERWISE SPECIFIED DIMENSIONS ARE IN INCHES BRACKETED DIMENSIONS ( ) ARE METRIC AND TOLERANCES ARE:  XXX: $\pm$ .005 (0.13 M.M.) XX: $\pm$ .02 (0.51 M.M.) X: $\pm$ .05	DRAWN	D.P.	11-73	<p><b>Raychem</b></p> <p>RAYCHEM CORPORATION 388 CONSTITUTION DRIVE MENLO PARK, CALIFORNIA 94025</p> <p>TITLE KIT, 2" PIN WAFER "A" WITH SOLDERPAK® TERMINATORS, FOR ROUND WIRE (20-26 AWG), 150°C TEMPERATURE RATING MTC 100 SERIES (SN96)</p>	
	CHECKED	R.H.	11-73		
	APPROVED	Hg	11-73		
	APPROVED				
	APPROVED				
CAD FILE No.	006073-1.PCX		SIZE	CODE IDENT	DWG. NO.
			C	NO. 06090	MTC100-JA2-P31-T29
			WEIGHT	SHEET 1 OF 1	