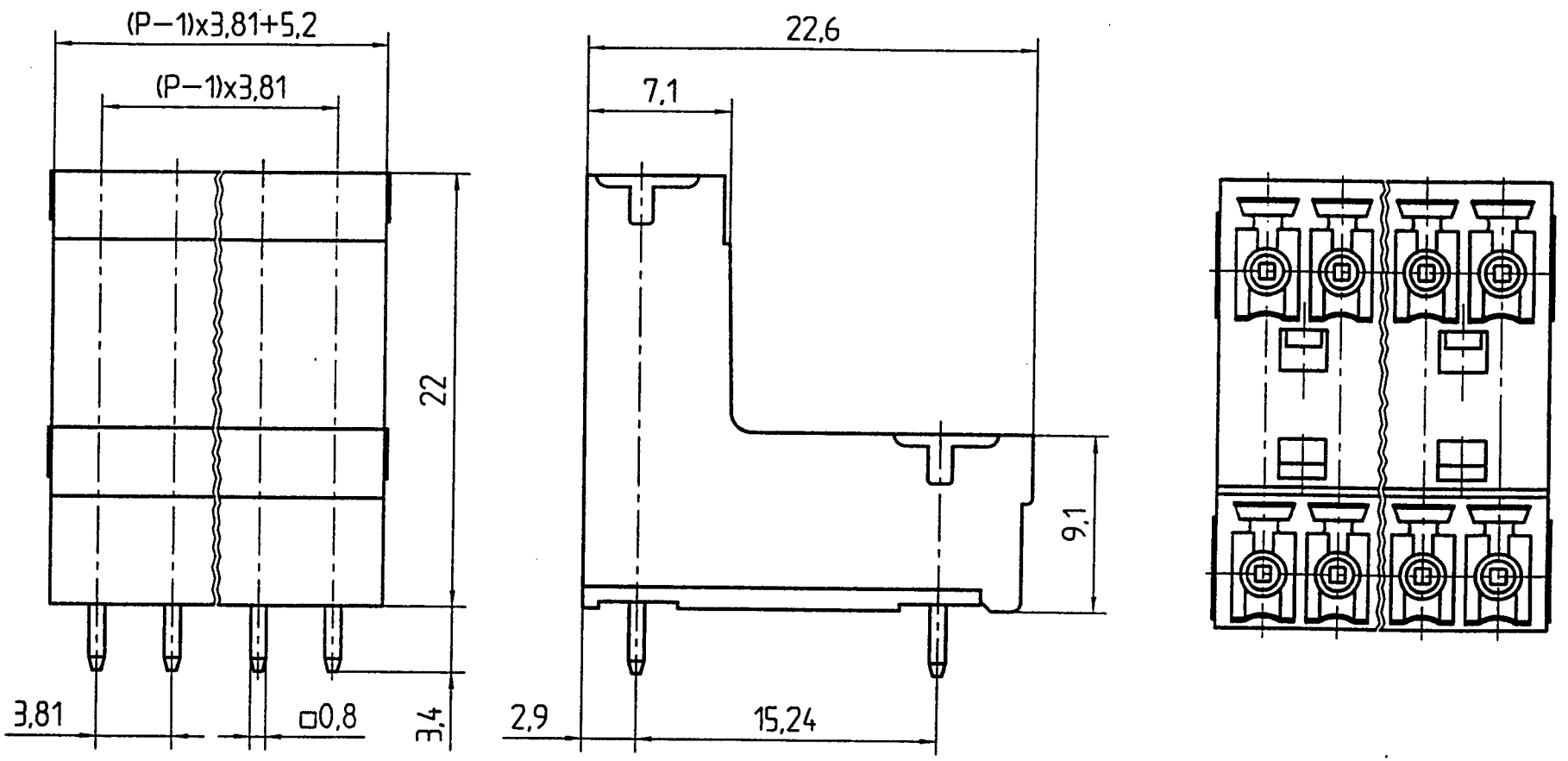


Ratings:
 Current 8A
 Voltage 300 VB

Dimensions:
 Spacing 3.81mm
 PCB Hole Diameter 1.2mm

Materials:
 Insulating Material PA
 Flammability UL94V-0
 Temperature -30°C/+105°C
 Contact Pin Cu
 Color Green



Part Number
EDSTLZ1575/ * *

* - NUMBER OF POSITIONS

Units
 mm

Drawing

Reviewed

Approved

Date
 1/25/97
 Sheet 1 of 1