

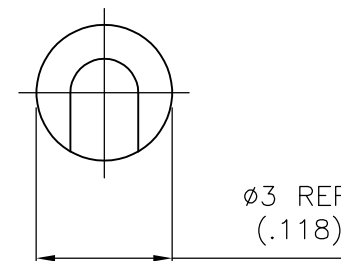
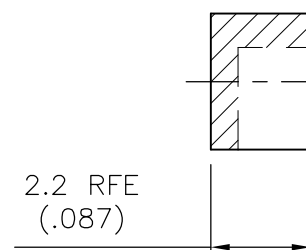
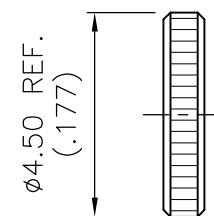
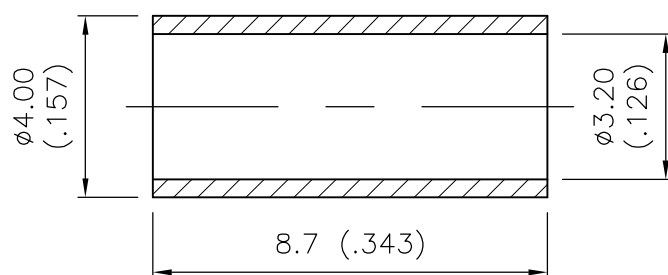
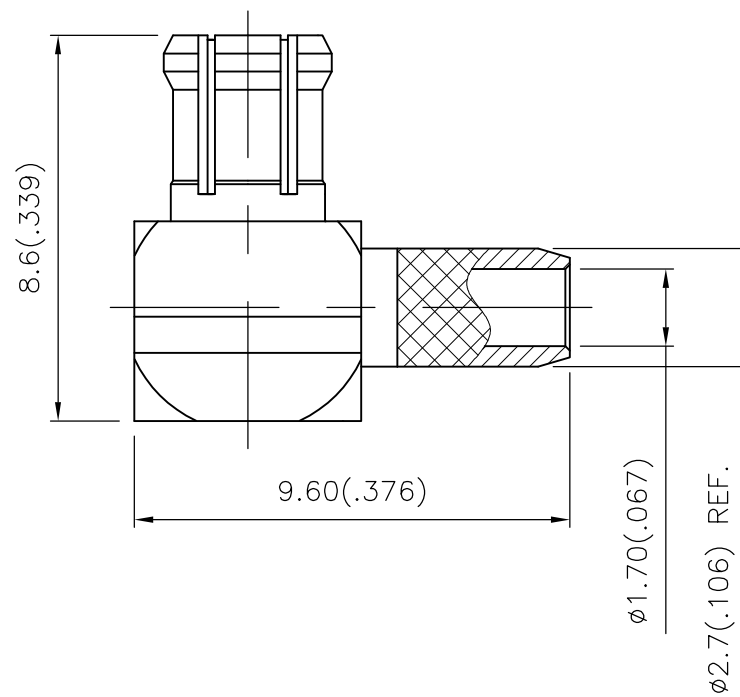
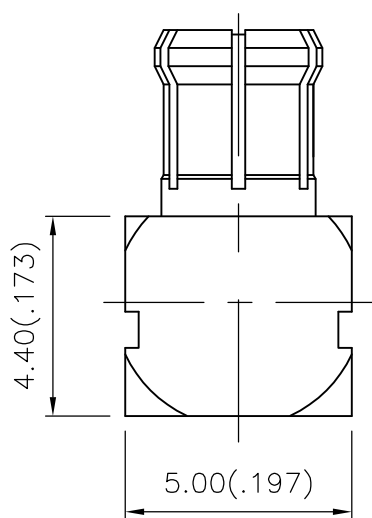
THIS DRAWING IS UNPUBLISHED. RELEASED FOR PUBLICATION AUGUST, 2006.

© COPYRIGHT 2006 By - ALL RIGHTS RESERVED.

LOC	DIST	REVISIONS					
E	B	P	LTR	DESCRIPTION	DATE	DWN	APVD
		C2		ECR-12-005726	27MAR12	RK	MY

NOTES:

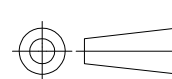
- 1 SUPPLIED SEMI-ASSEMBLED (PACK CONTAINS LOOSE PIECES)  
VIEW SHOWS ASSEMBLED CONNECTOR (CABLE COMMITTED)  
FOR CABLE TO CONNECTOR ASSEMBLY GUIDANCE REFER TO TE  
CONNECTIVITY INSTRUCTION SHEET I.S 411-3251
- 2 DIE SET PART NUMBER: 9-1478248-0
- 3 HANDTOOL PART NUMBER: 9-1478240-0
- 4 FOR USE ON CABLES: RG174A/U, 188A/U, 316/U



CRIMP FERRULE	BRASS	1	GOLD
INSULATION	PE	1	N/A
WASHER	BRASS	1	GOLD
BODY II	BRASS	1	GOLD
BODY I	BeCu	1	GOLD
INSULATION	PTFE	1	N/A
CENTER CONTACT	BRASS	1	GOLD
DESCRIPTION	MATERIAL	QTY	FINISH

THIS DRAWING IS A CONTROLLED DOCUMENT.

DIMENSIONS: mm



TOLERANCES UNLESS OTHERWISE SPECIFIED:	
0 PLC	± -
1 PLC	± 0.2
2 PLC	± 0.1
3 PLC	± 0.05
4 PLC	± -
ANGLES	± -
FINISH	-

MATERIAL SEE TABLE

DWN	RITA ZUO	02 AUG 2010
CHK	ANSON MA	02 AUG 2010
APVD	JONGSENG GOH	02 AUG 2010
PRODUCT SPEC	108-3435	
APPLICATION SPEC	-	
WEIGHT	-	



MCX ELBOW PLUG CRIMP 50 OHM

SIZE	CAGE CODE	DRAWING NO	RESTRICTED TO
A3	00779	C-1337585	-

CUSTOMER DRAWING SCALE NTS SHEET 1 OF 1 REV C2