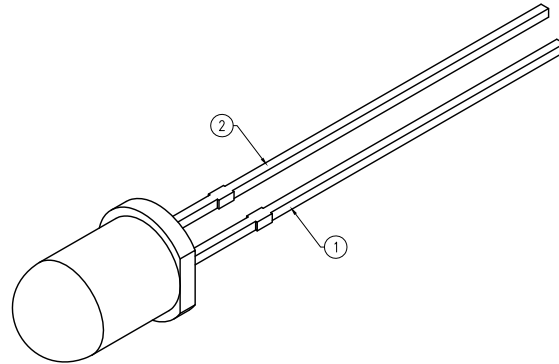
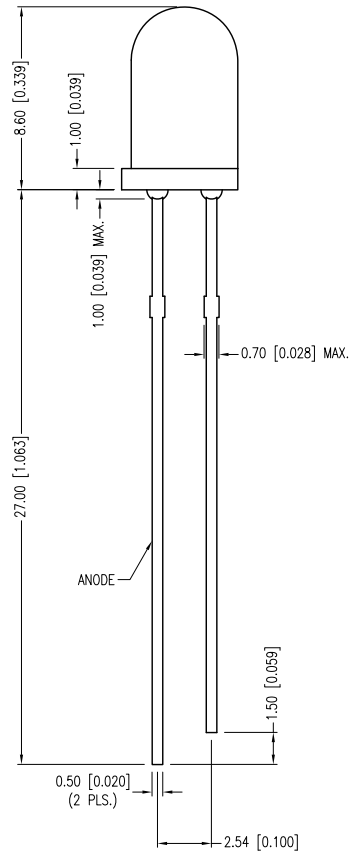
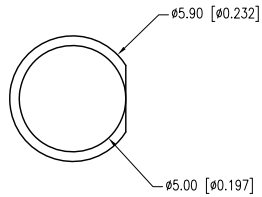


PART NUMBER	SSL-LX5093LBI-SRD	REV.	H
DATE	E.C.N. NUMBER AND REVISION COMMENTS		REV.
01.24.96	E.C.N. #10115.		A
03.12.96	E.C.N. #10132.		B
10.10.97	REDRAWN.		C
10.23.98	E.C.N. #10470.		D
07.20.99	E.C.N. #10538.		E
05.25.01	E.C.N. #10BRDR. & REDRAWN IN 3D.		F
10.23.06	E.C.N. #11148.		G
02.16.12	E.C.N. #10BRDR. & REDRAWN.		H



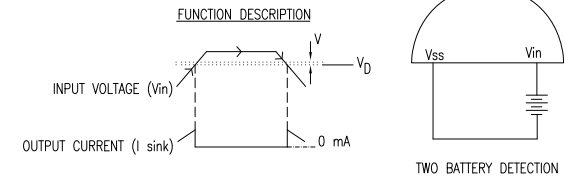
E D ELECTRO-OPTICAL CHARACTERISTICS $T_a=25^{\circ}\text{C}$ $V_{in}=3.0\text{V}$

PARAMETER	MIN	TYP	MAX	UNITS	TEST COND
PEAK WAVELENGTH		660		nm	$I_f=6.5\text{mA}$
INPUT VOLTAGE (V_{in})		3.0		V	
DETECTION VOLTAGE (V_d)	2.35	2.5	2.65	V	
AXIAL INTENSITY	3.0			mcd	$I_f=6.5\text{mA}$
STANDBY CURRENT (I_{in})		5.0	10.0	μA	$V_{in}=3.0\text{V}$
HYSTERESIS VOLTAGE (V_{hyst})		100		mV	
OUTPUT SINK CURRENT (I_{sink})	6.0	6.5		mA	$V_{in}=2.3\text{V}$
VIEWING ANGLE		60		2x theta	
OPERATING TEMPERATURE		0 TO +85		$^{\circ}\text{C}$	
STORAGE TEMPERATURE		-40 TO +100		$^{\circ}\text{C}$	
EMITTED COLOR:	RED				
EPOXY LENS FINISH:	RED DIFFUSED				

NOTES:

1. Vss.
2. Vin.

EXTERNAL PARTS CONNECTION



*UNLESS OTHERWISE SPECIFIED TOLERANCES PER DECIMAL PRECISION ARE: X=±1 (±0.039), X.X=±0.5 (±0.020), X.XX=±0.25 (±0.010), X.XXX=±0.127 (±0.005). LEAD SIZE=±0.05 (±0.002), LEAD LENGTH=±0.75 (±0.030). MIN= ^{+0.00}DECIMAL PRECISION MAX.= ^{-0.00}DECIMAL PRECISION



425 N. GARY AVE.
CAROL STREAM, IL 60188-4900
PHONE: +1.800.278.5666
FAX: +1.630.315.2152
WEB: WWW.LUMEX.COM
MEMBER OF ITW PHOTONICS GROUP

QUASARBRITE T-5mm (T-1 3/4) LOW BATTERY INDICATOR, 660nm SUPER RED LED, RED DIFFUSED LENS.

THE SPECIFICATIONS MAY CHANGE AT ANY TIME WITHOUT NOTICE DUE TO NEW MATERIALS OR PRODUCT IMPROVEMENT.

CONFIDENTIAL INFORMATION
THE INFORMATION CONTAINED IN THIS DOCUMENT IS THE PROPERTY OF LUMEX INC. EXCEPT AS SPECIFICALLY AUTHORIZED IN WRITING BY LUMEX INC., THE HOLDER OF THIS DOCUMENT SHALL KEEP ALL INFORMATION CONTAINED HEREIN CONFIDENTIAL AND SHALL PROTECT SAME IN WHOLE OR IN PART FROM DISCLOSURE AND DISSEMINATION TO ALL THIRD PARTIES.

DATE:	02.16.12	DRAWN BY:	AB
PAGE:	1 OF 1	CHKD BY:	DT
SCALE:	NTS	APRVD BY:	KF
UNIT:	mm [INCH]		