

## GaAs MMIC SMT DOUBLE-BALANCED MIXER, 2.5 - 4 GHz



### Typical Applications

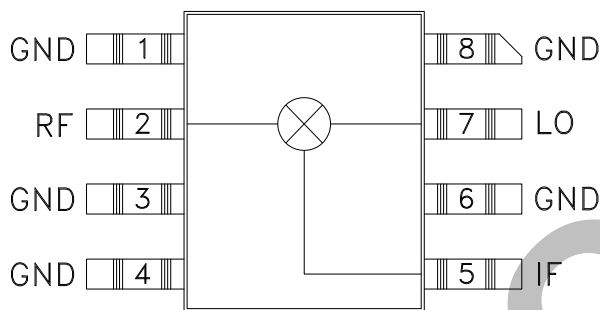
The HMC170C8 is ideal for:

- Microwave Point-to-Point
- RADAR
- VSAT

### Features

- Conversion Loss: 9. dB
- LO to RF Isolation: 45 dB
- Surface Mount
- Small Size, No DC Bias Required

### Functional Diagram



### General Description

The HMC170C8 is a miniature double-balanced mixer in a non-hermetic ceramic surface mount package that can be used as an upconverter, downconverter or biphase modulator. The device is a passive diode/balun type mixer with high dynamic range. Noise figure is essentially equal to the conversion loss. The mixer can handle larger signal levels than most active mixers due to the high third order intercept. MMIC implementation provides exceptional balance in the circuit resulting in high LO/RF and LO/IF isolations and unit-to-unit consistency. This mixer has applications where small size and surface mount compatibility are important.

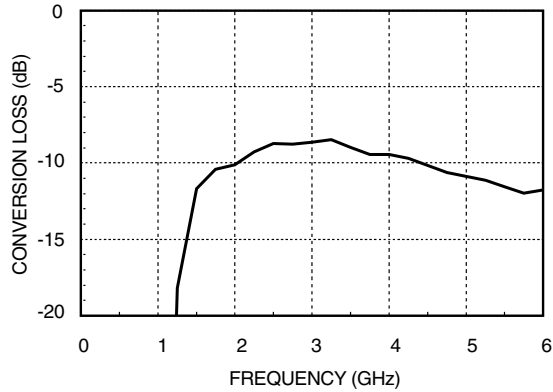
### Electrical Specifications, $T_A = +25^\circ\text{C}$ , LO Drive = +13 dBm

| Parameter                     | Min.      | Typ. | Max. | Units |
|-------------------------------|-----------|------|------|-------|
| Frequency Range, RF & LO      | 2.5 - 4.0 |      |      | GHz   |
| Frequency Range, IF           | DC - 2    |      |      | GHz   |
| Conversion Loss               |           | 9    | 10   | dB    |
| Noise Figure (SSB)            |           | 9    | 10   | dB    |
| LO to RF Isolation            | 40        | 45   |      | dB    |
| LO to IF Isolation            | 32        | 36   |      | dB    |
| IP3 (Input)                   | 13        | 18   |      | dBm   |
| IP2 (Input)                   | 35        | 40   |      | dBm   |
| 1 dB Gain Compression (Input) | 7         | 10   |      | dBm   |

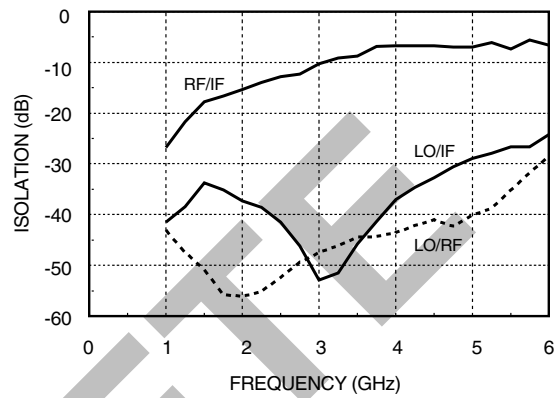


**GaAs MMIC SMT DOUBLE-BALANCED MIXER, 2.5 - 4 GHz**

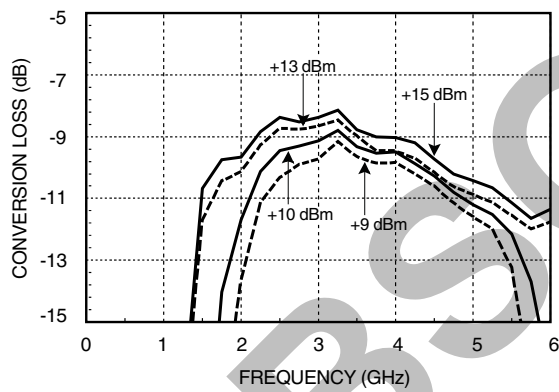
**Conversion Loss**



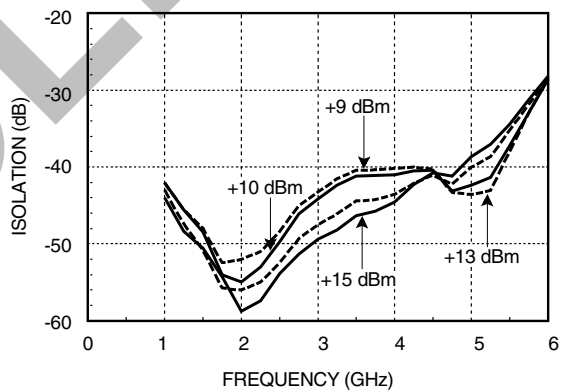
**Isolation**



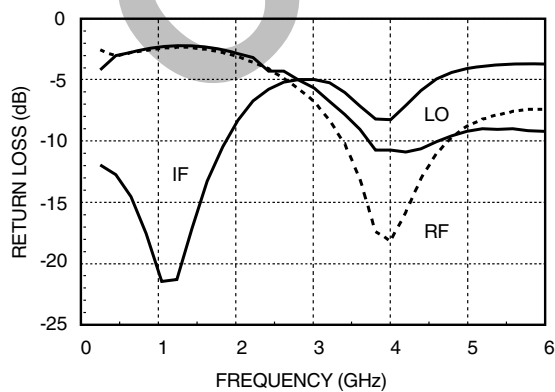
**Conversion Loss vs. LO Drive**



**Isolation vs. LO Drive**



**Return Loss**



**Distortion and 1dB Compression vs. LO Drive Level**

| LO Drive (dBm) | Distortion |           | 1 dB Compression P1dB (dBm) |
|----------------|------------|-----------|-----------------------------|
|                | IP3 (dBm)  | IP2 (dBm) |                             |
| +10            | 16         | 38        | 8                           |
| +13            | 18         | 40        | 10                          |
| +15            | 18         | 40        | 10                          |

S - Parameters for the RF, LO, IF Ports are Available On-Line at [www.hittite.com](http://www.hittite.com)

Information furnished by Analog Devices is believed to be accurate and reliable. However, no responsibility is assumed by Analog Devices for its use, nor for any infringements of patents or other rights of third parties that may result from its use. Specifications subject to change without notice. No license is granted by implication or otherwise under any patent or patent rights of Analog Devices. Trademarks and registered trademarks are the property of their respective owners.

For price, delivery, and to place orders: Analog Devices, Inc., One Technology Way, P.O. Box 9106, Norwood, MA 02062-9106 Phone: 781-329-4700 • Order online at [www.analog.com](http://www.analog.com) Application Support: Phone: 1-800-ANALOG-D

**GaAs MMIC SMT DOUBLE-  
BALANCED MIXER, 2.5 - 4 GHz**



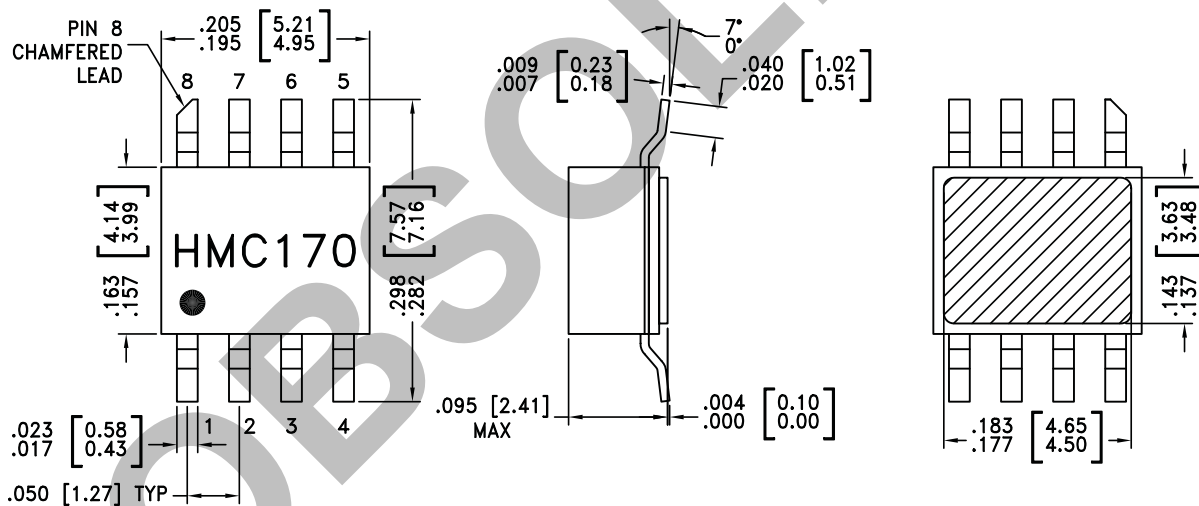
**Absolute Maximum Ratings**

|                       |                |
|-----------------------|----------------|
| RF / IF Input         | +13 dBm        |
| LO Drive              | +27 dBm        |
| Storage Temperature   | -65 to +150 °C |
| Operating Temperature | -55 to +85 °C  |



**ELECTROSTATIC SENSITIVE DEVICE  
OBSERVE HANDLING PRECAUTIONS**

**Outline Drawing**



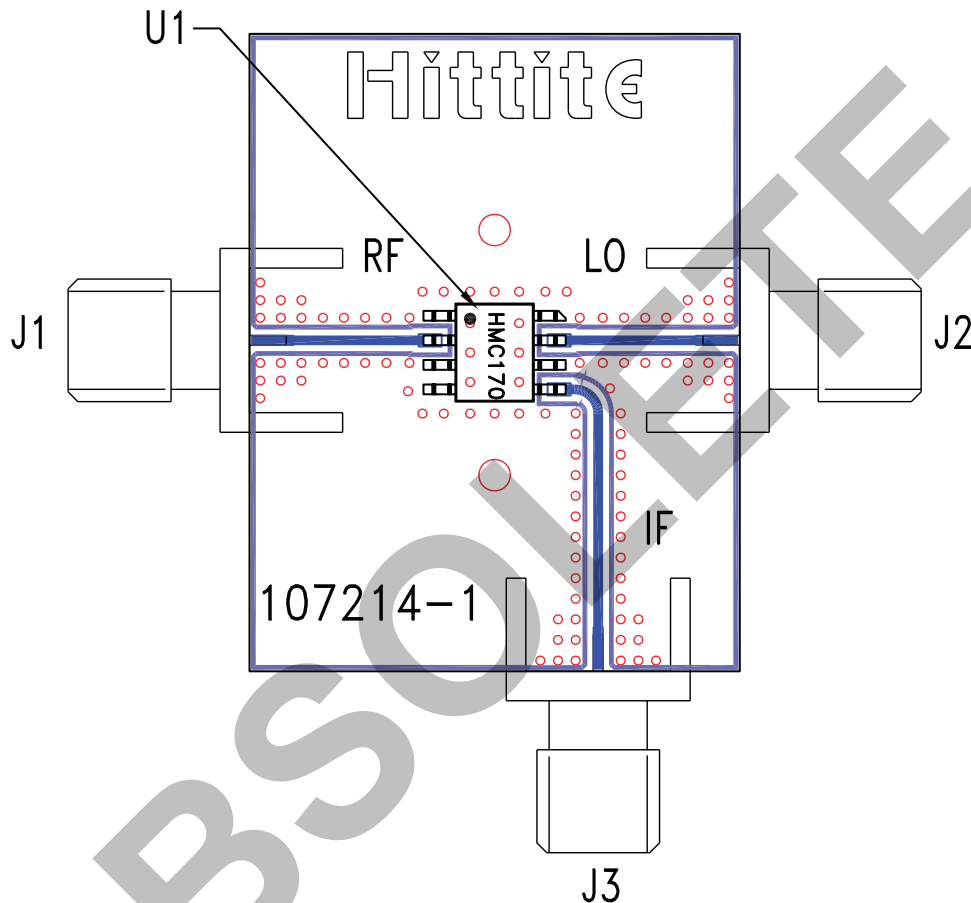
**NOTES:**

1. PACKAGE BODY MATERIAL: WHITE ALUMINA 92%
2. LEAD, PACKAGE BOTTOM MATERIAL: COPPER
3. PLATING: ELECTROLYTIC GOLD 100-200 MICROINCHES, OVER ELECTROLYTIC NICKEL 100-250 MICROINCHES.
4. DIMENSIONS ARE IN INCHES [MILLIMETERS].
5. PACKAGE LENGTH AND WIDTH DIMENSIONS DO NOT INCLUDE LID SEAL PROTRUSION .005 PER SIDE.
6. ALL GROUND LEADS AND GROUND PADDLE MUST BE SOLDERED TO PCB RF GROUND.

**GaAs MMIC SMT DOUBLE-  
BALANCED MIXER, 2.5 - 4 GHz**



**Evaluation PCB**



**List of Materials for Evaluation PCB 102102 [1]**

| Item    | Description                |
|---------|----------------------------|
| J1 - J3 | PCB Mount SMA RF Connector |
| U1      | HMC170C8 Mixer             |
| PCB [2] | 107214 Evaluation Board    |

[1] Reference this number when ordering complete evaluation PCB

[2] Circuit Board Material: Rogers 4350

The circuit board used in the final application should use RF circuit design techniques. Signal lines should have 50 ohm impedance while the package ground leads and exposed paddle should be connected directly to the ground plane similar to that shown. A sufficient number of via holes should be used to connect the top and bottom ground planes. The evaluation circuit board shown is available from Hittite upon request.