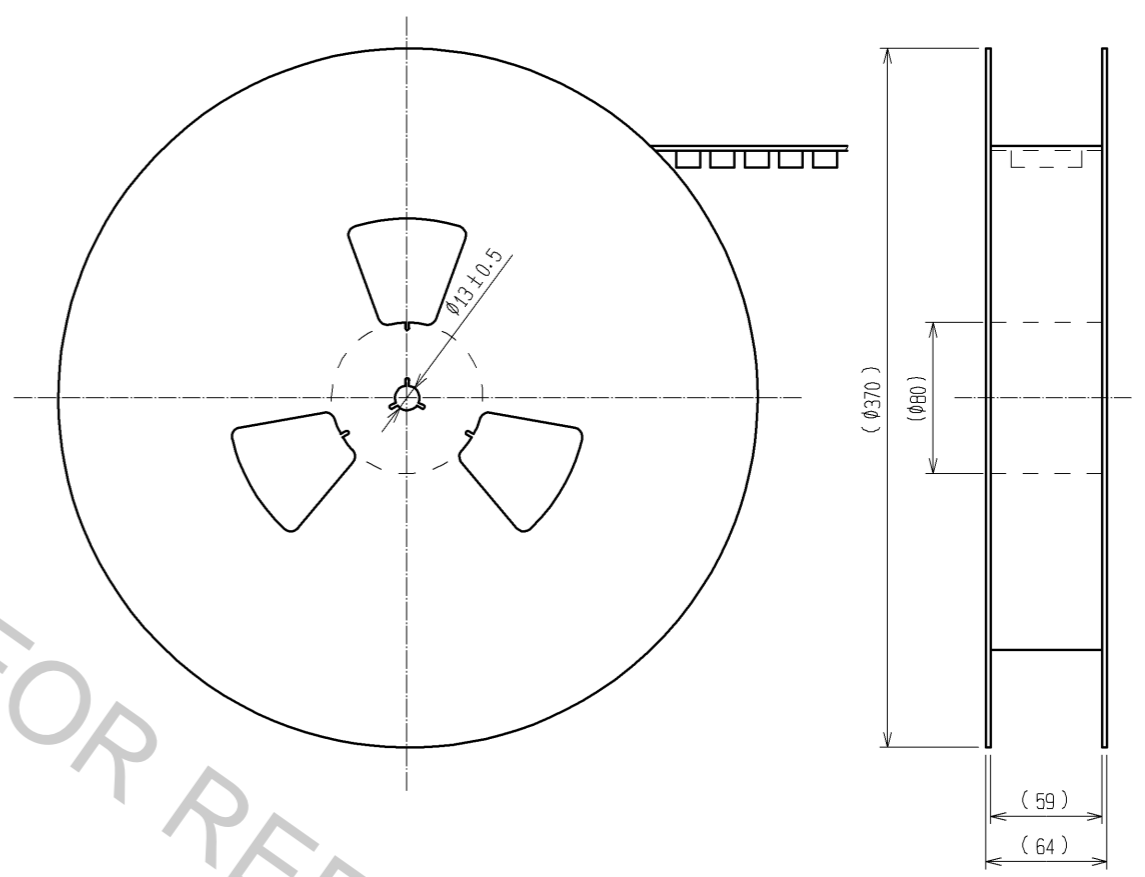
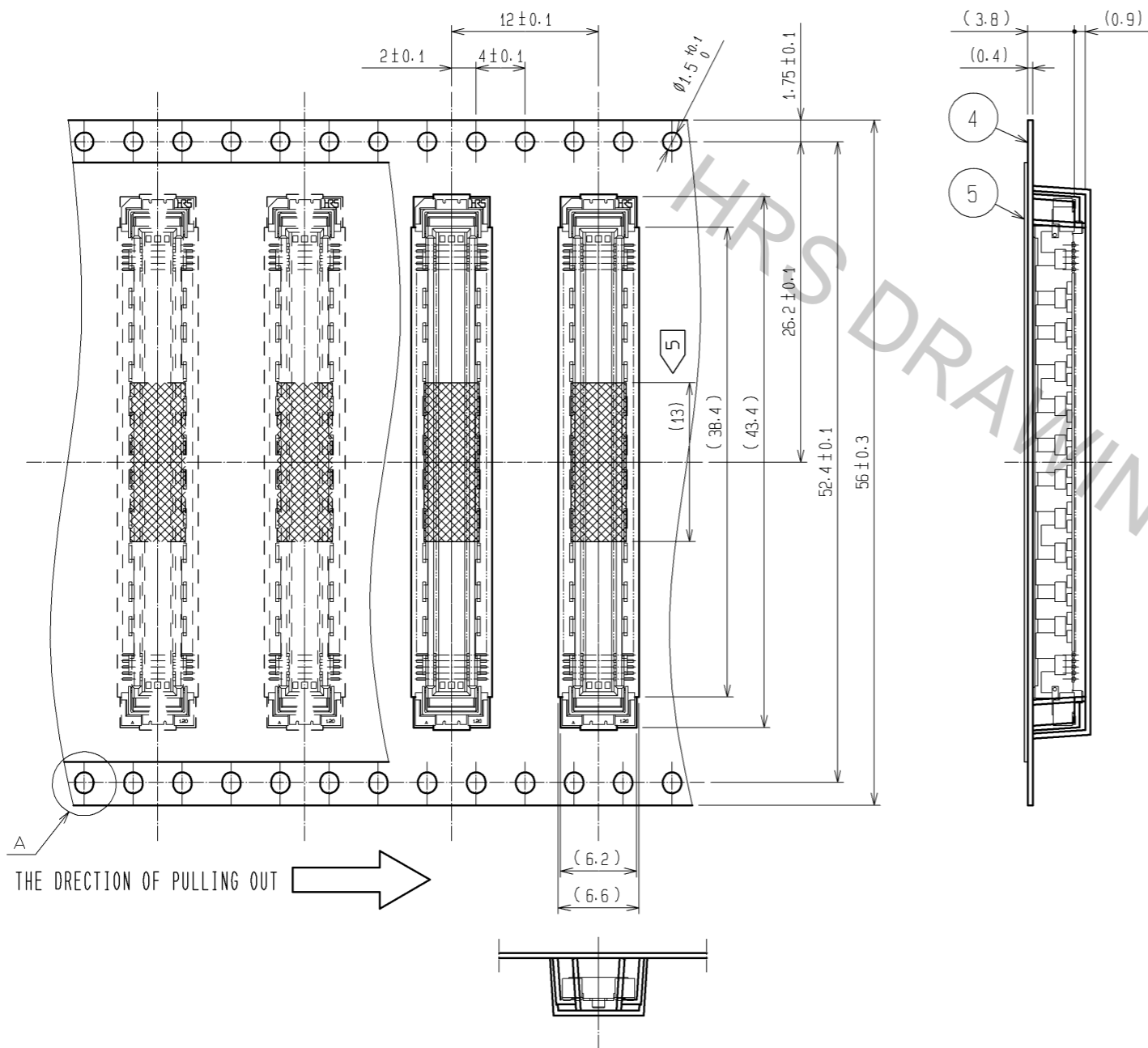


- NOTES
- 1 SMT LEAD-COPLANARITY: 0.1 MAX.
 - 2 THIS PRODUCT HAS NO POLARITY TO PATTERN FOR MOUNTING.
 - ③ MAKE SURE WIDTH OF PATTERN IS WITHIN THAT OF LAND, OR LEAD MAY TOUCH PATTERN. (THIS APPLIES TO HATCHED AREA.)
 - 4 THE DIMENSIONS IN PARENTHESES ARE FOR REFERENCE.

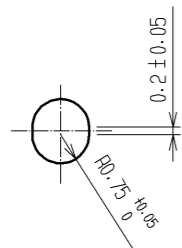
2	PHOSPHOR BRONZE	CONTACT AREA: GOLD 0.1µm min.	6	POLYIMIDE			
		LEAD AREA: TIN-PLATING 1µm min.	5	PET	TOP COVER TAPE		
		UNDER PLATING: NICKEL 1µm min.	4	PS	EMBOSSED CARRIER TAPE		
1	LCP	BEIGE UL94V-0	3	PHOSPHOR BRONZE	TIN-PLATING		
NO.	MATERIAL	FINISH . REMARKS	NO.	MATERIAL	FINISH . REMARKS		
UNITS mm	⊙	SCALE 4 : 1	COUNT △	DESCRIPTION OF REVISIONS	DESIGNED	CHECKED	DATE
HRS HIROSE ELECTRIC CO., LTD.		APPROVED : HS. OKAWA	13. 12. 10	DRAWING NO. EDC3-151954-22			
		CHECKED : HT. YAMAGUCHI	13. 12. 10	PART NO. FX10A-144P-SV(92)			
		DESIGNED : KJ. NISHIWAKI	13. 12. 10	CODE NO. CL570-0043-5-92		△ 1/2	
		DRAWN : KJ. NISHIWAKI	13. 12. 10				

DRAWING FOR PACKING (2 : 1)

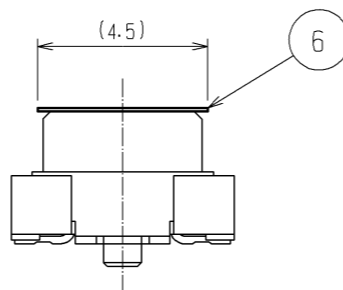
REELED DIMENSION (Free)



A (5 : 1)



MYLAR TAPE DIMENSION (5 : 1)



- NOTES
- 1 REEL : 1000 CONNECTORS.
 - 2 MINMUM 10 COMPARTMENTS FROM BOTH REEL ENDS REMAIN EMPTY.
 - 3 THIS PRODUCT HAS NO POLAVITY TO TAPE AND REEL PACKING.
 - 4 THE DIMENSIONS IN PARENTHESSES ARE FOR REFERENCE.
 - 5 IT SHOWS THE VACUUM PICKUP AREA.
REMOVE THE MYLAR TAPE BEFORE MATING CONNECTORS.

HRS	DRAWING NO.	EDC3-151954-22
	PART NO.	FX10A-144P-SV(92)
	CODE NO.	CL570-0043-5-92
		△ 2/2