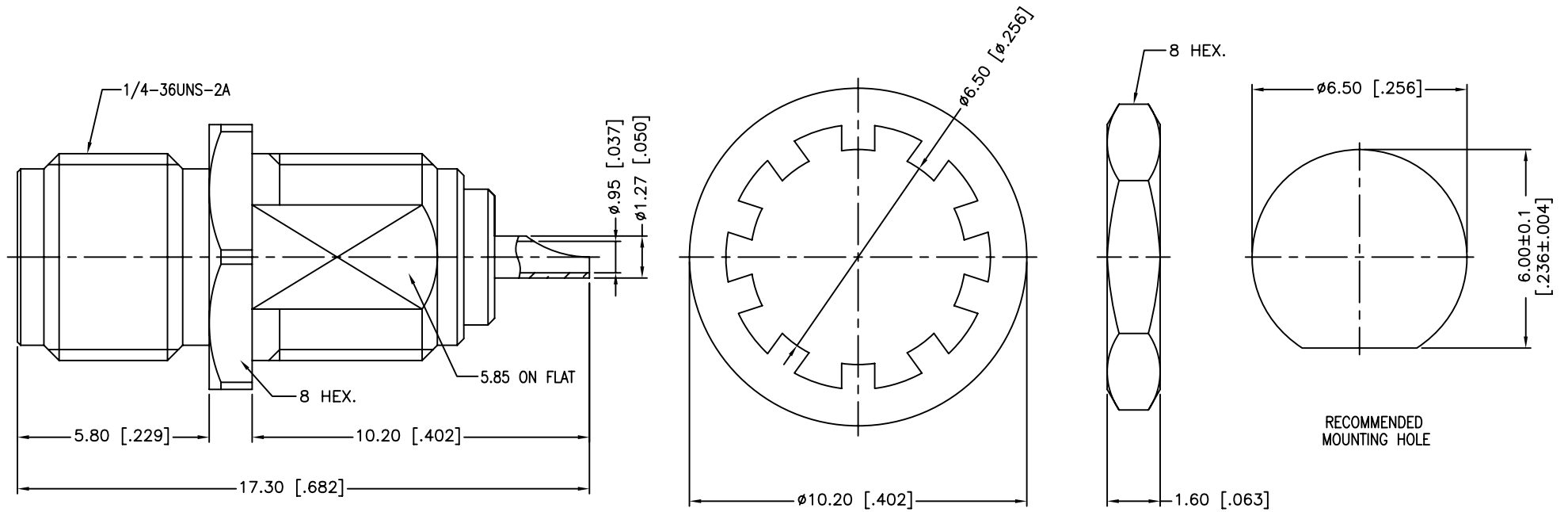


REV.	DATE	ECR NO.	DESCRIPTION
NC	10/29/10	XXXXXX	INITIAL RELEASE



1. MAX. PANEL THICKNESS=2.5mm

				APPROVALS	DATE	Amphenol Connex							
				DRAWN M.ZHANG	10/29/10					PART DESCRIPTION SMA BULKHEAD RECEPT. JACK			
				CHECKED		PART NO. 132137							
				ISSUED									
				SHEET 1 OF 1		REV. NC SIZE A SCALE NA							
				CAD FILE	F:/CONNEX/132137.DWG								
				DO NOT SCALE DRAWING									

QTY	FINISH	MATERIAL	DESCRIPTION
1	GOLD	BRASS	HEX NUT
1	GOLD	BRASS	LOCK WASHER
1	GOLD	BERYLLIUM COPPER	CONTACT PIN
1	NATURAL	PTFE	INSULATOR
1	GOLD	BRASS	BODY

UNLESS OTHERWISE SPECIFIED DIMENSIONS ARE IN MILLIMETERS. DIMENSIONS IN [] ARE IN INCHES AND FOR CUSTOMER REFERENCE ONLY.

UNLESS OTHERWISE SPECIFIED TOLERANCES FOR MILLIMETERS ARE:
0.5 - 8mm ± 0.20mm
8 - 30mm ± 0.40mm
30 - 120mm ± 0.50mm

UNLESS OTHERWISE SPECIFIED TOLERANCES FOR INCHES ARE:
.020 - .315 = ± 0.007"
.315 - 1.180 = ± 0.015"
1.180 - 4.724 = ± 0.020"