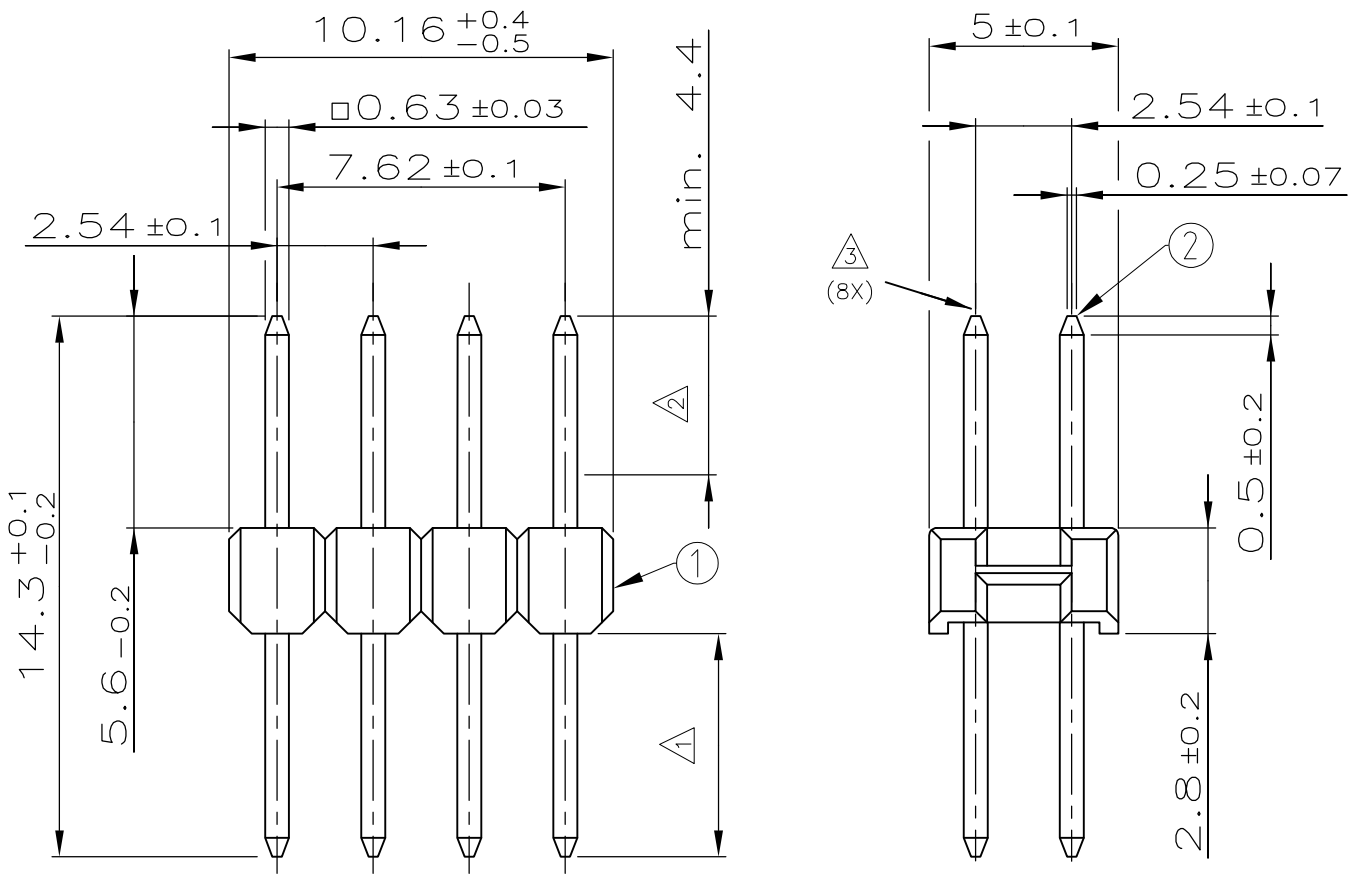


LOC A1	DIST —	REVISIONS ÄNDERUNGEN DESCRIPTION BESCHREIBUNG			DATE	DWN	APVD
		P	LTR				
		E		CONTACT PIN MATERIAL CHANGE BACK TO CuSn	09JUN2015	KJK	PS



NOTES:

- ① MIN. 3.0–5.0µm Sn OVER 1.27µm Ni
- ② MIN. 0.7µm PdNi +0.1µm GOLD FLASH OVER 1.27µm Ni
- ③ NO BURRS PERMITTED
- 4 PARTS WITHOUT BURRS AND SHAVINGS

1241126-4	① ②	CuSn	CONTACT PIN	2
	BLACK	PBT	HOUSING	1
PART NO.	FINISH/COLOR	MATERIAL	DESCRIPTION	ITEM NO.

THIS DRAWING IS UNPUBLISHED. VERTRAULICHE UNVERÖFFENTLICHTE ZEICHNUNG.  
 ALL RIGHTS RESERVED. ALLE RECHTE VORBEHALTEN.  
 © COPYRIGHT - 98 By -

DIMENSIONS: MASSENHEITEN mm	DWN A. Zitz 24-JUN-98	MATERIAL SEE TABLE	FINISH OBERFLAECHE/FARBE SEE TABLE
	CHK U. Laudenschach 24-JUN-98		
TOLERANCES UNLESS OTHERWISE SPECIFIED: ALLGEMEINTOLERANZEN A. 50 8015 0 PLC ± 1 PLC ± - 2 PLC ± - 3 PLC ± - 4 PLC ± - ANGLES / WINKEL ± -	APVD —		
PRODUCT SPEC PRODUKTSPEZ. 108-18012	APPLICATION SPEC VERARBEITUNGSSPEZ. —	SIZE A4	CAGE CODE 00779
WEIGHT GEWICHT —	DRAWING NO ZEICHNUNGS-NR. C-1241126		RESTRICTED TO NUR FUER —
CUSTOMER DRAWING / KUNDENZEICHNUNG		SCALE MASSSTAB 5:1	SHEET BLATT 1 OF 1
			REV E