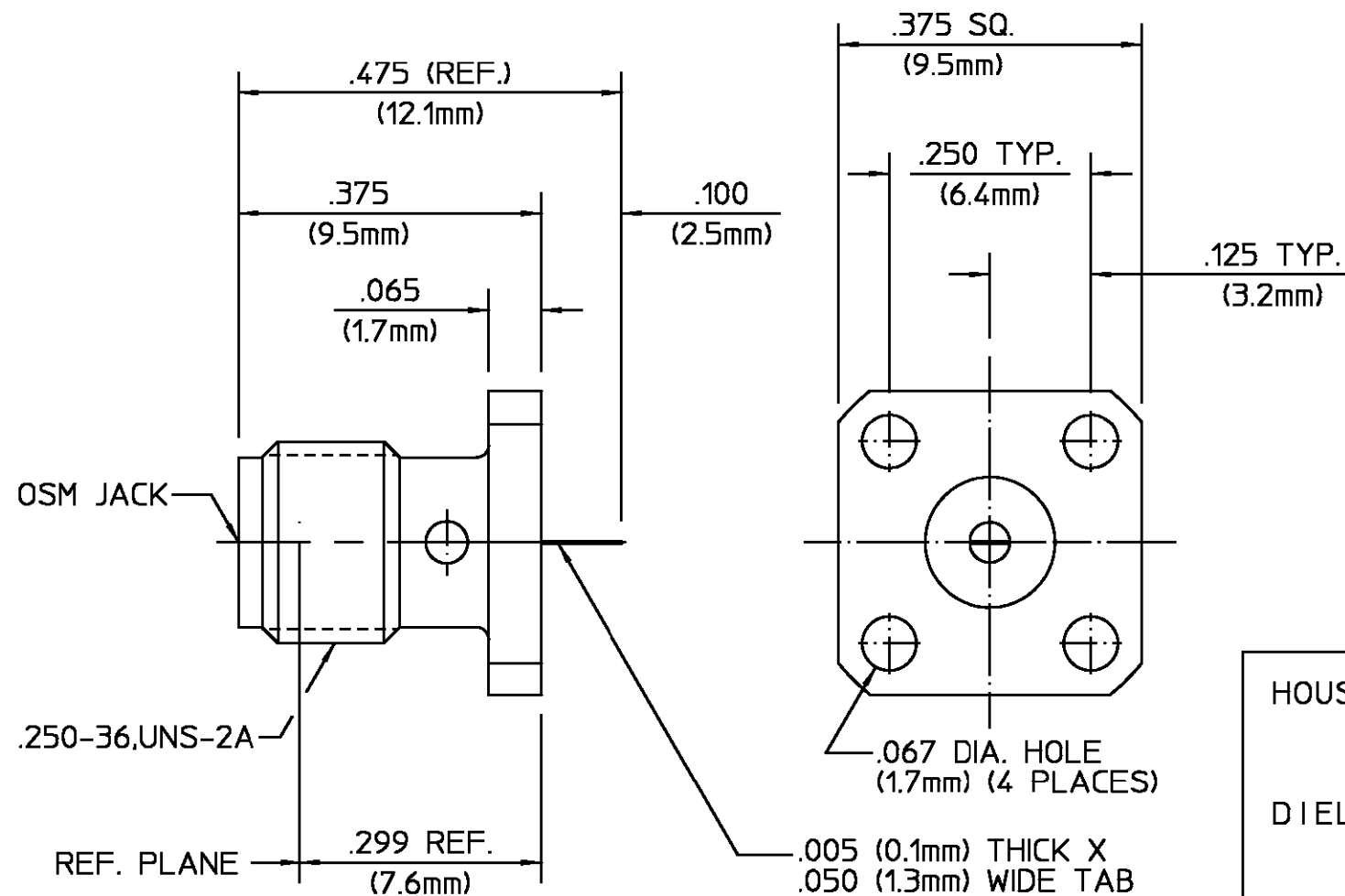


REVISIONS			
REV	DESCRIPTION	DATE	APPROVED
01 ₁	REDRAWN PER ECN 88-0678	3-10-89	<i>PJA</i>



HOUSING	STAINLESS STEEL PER ASTM-A484 AND ASTM-A582, TYPE 303	PASSIVATE PER ASTM A380
DIELECTRIC	TFE FLUOROCARBON PER MIL-P-19468 AND FED SPEC L-P-403	N/A
CENTER CONTACT	BERYLLIUM COPPER PER QQ-C-530, ALLOY 173	GOLD PLATE PER MIL-G-45204 OVER COPPER PLATE PER MIL-C-14550
COMPONENT	MATERIAL	FINISH

UNLESS OTHERWISE SPECIFIED
DIMENSIONS ARE IN INCHES
TOLERANCE ON
FRAC. DEC. ANGLES
± 1/64 ± .005 ± 1°

DRAWN BY L.ROSS DATE 3-10-89
CHECKED BY C.WARD 3-10-89
APP'D BY *PJA* 3-10-89

AMP
AMP Incorporated
140 Fourth Avenue
Waltham, MA 02451-7599

These drawings and specifications are the property of Omni Spectra Incorporated and shall not be reproduced or copied or used in whole or in part as the basis for the manufacture or sale of item(s) without written permission.

USE ASS'Y PROCEDURE
NO. AP. N/A

TITLE OSM FLANGE MOUNT JACK RECEPTACLE- TAB TERMINAL

SIZE B	CODE IDENT NO. 26805	2052-1608-02	REV 01 ₁
SCALE 5:1		SHEET 1 OF 1	

NOTES:
1. CAPTURED CENTER CONTACT