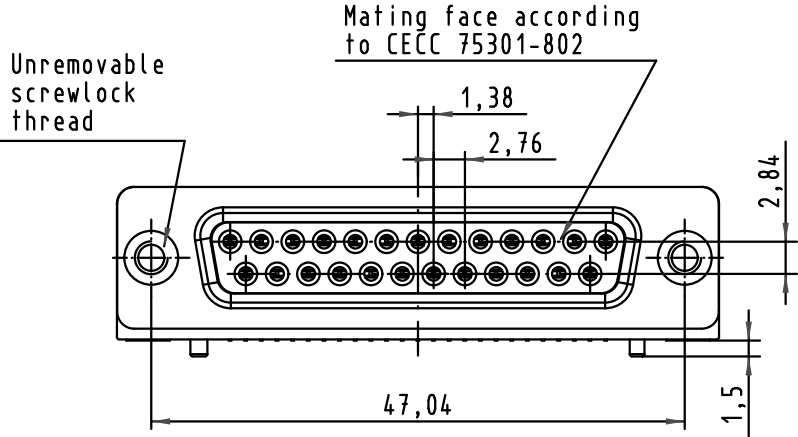


PCB Layout, component side (thickness 1,6mm min.)



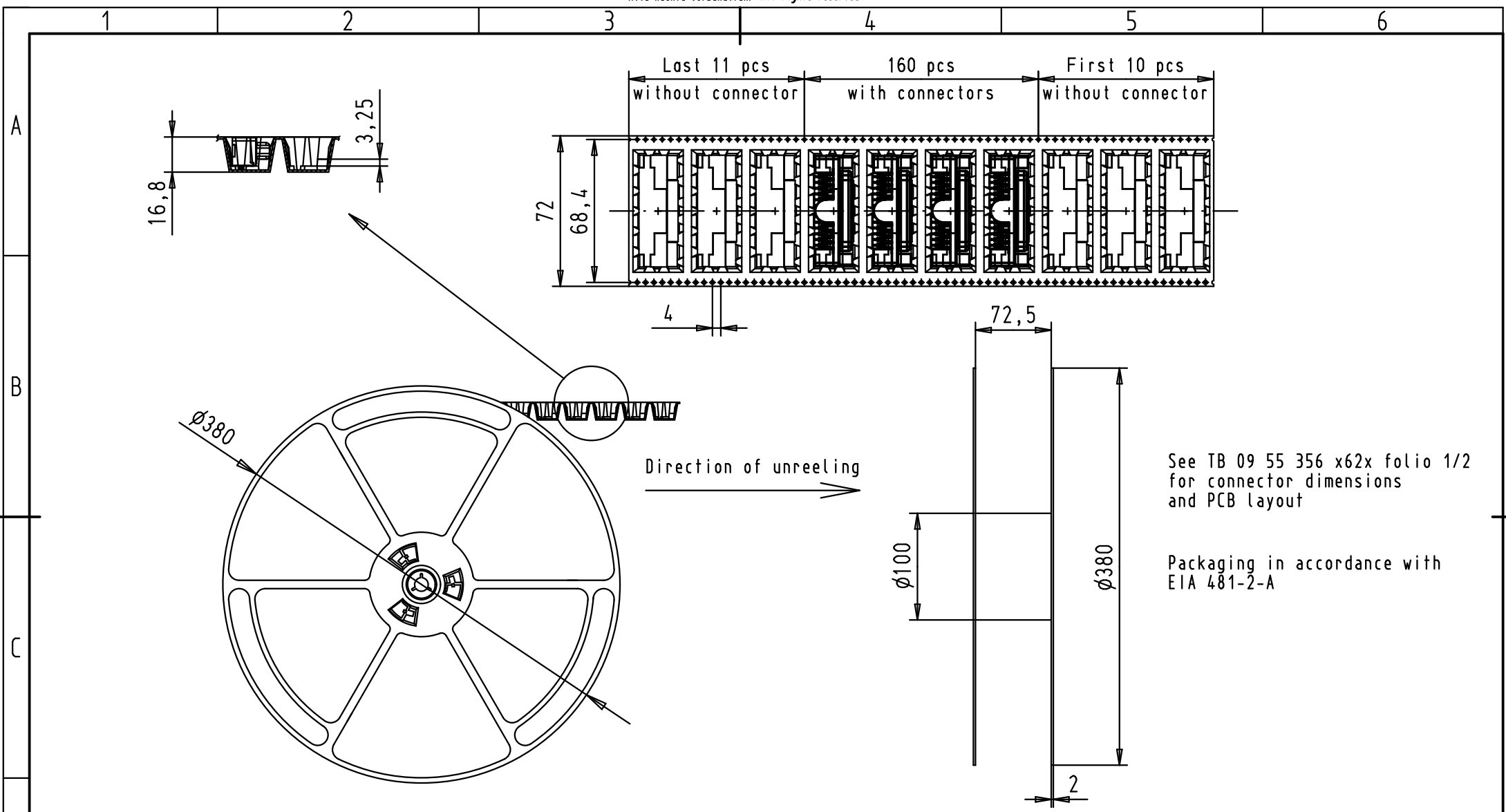
Max. Temperature: 260°C during 10 seconds

D	09553563622.741	1	4-40 UNC	Black Insulator	Reel Packaging (140 connectors) see page 2/2							<p>All Dim. in mm Orig. Size DIN A 4</p>	D-SUB SMT Standard Female 25p with die casted grounds and unremovable screwlocks	Maßstab/ Scale 1,5:1	
	09553566622.741	2													
	09553567622.741	3													
	09553563621.741	1	M3												
	09553566621.741	2													
	09553567621.741	3													
Part number	PL	Thread	Index designation	Mod.	Dot.	Name	Mod.	Dot.	Name	Sub.					

HARTING EURL
F-95972 Paris




TB 09 55 356 x62x



See TB 09 55 356 x62x folio 1/2
for connector dimensions
and PCB layout

Packaging in accordance with
EIA 481-2-A

D	09553563622.741	1	4-40 UNC	Black Insulator	Reel Packaging (140 connectors)				Dot.	Name	 All Dim. in mm Orig. Size DIN A 4	D-SUB SMT Standard Female 25p with die casted grounds and unremovable screwlocks	Maßstab/ Scale	
	09553566622.741	2							Detail.	30Jun2010				ED
	09553567622.741	3							Insp.					
	09553563621.741	1	M3					Stand.						
	09553566621.741	2						EC02316	30Aug2010	ED				HARTING EURL F-95972 Paris
	09553567621.741	3						EC01953	30Jun2010	ED				
	Part number	PL	Thread	Index designation	Mod.	Dot.	Name				Sub.	TB 09 55 356 x62x Blatt/ Page 2 / 2		

